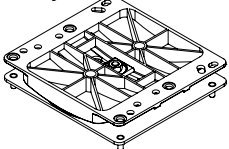


Assembly & Installation Instructions: Swivel Bracket, SWIVEL-LEAD



Included

A Swivel Bracket Qty: 1	B #10 Washer Qty: 4
	C #10 Lock Washer Qty: 4
	D #10-32 Acorn Nut Qty: 4

Required, Sold Separately

Leader Arm ISE Keyboard Platform with included hardware
--

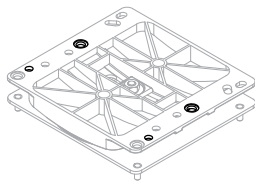
Tools Required

#2 tip Phillips screwdriver or drill/driver $\frac{3}{8}$ " open ended wrench
--

Note: These instructions assume you've already purchased an ISE Keyboard platform. Be sure to retain the screws and nuts for installation of the Swivel Bracket in **Step 1**.

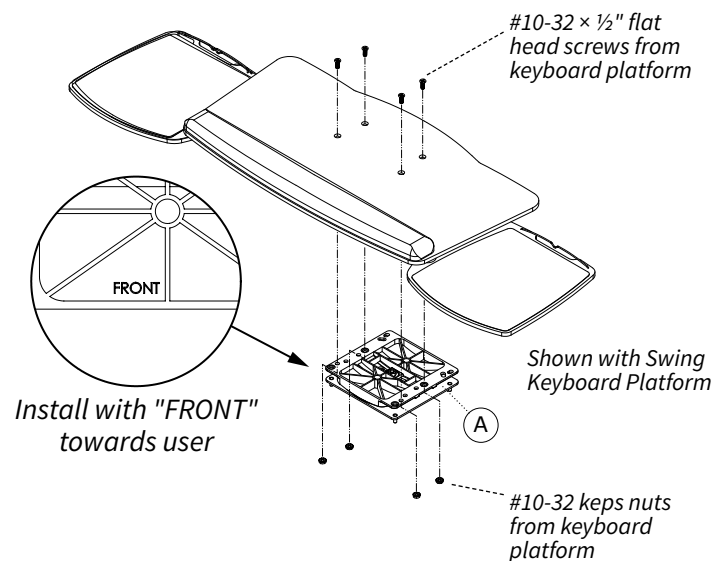
1 Mount Swivel Plate to Keyboard Platform

Mount Swivel Plate (A) to Keyboard Platform using the hardware that came with your platform.



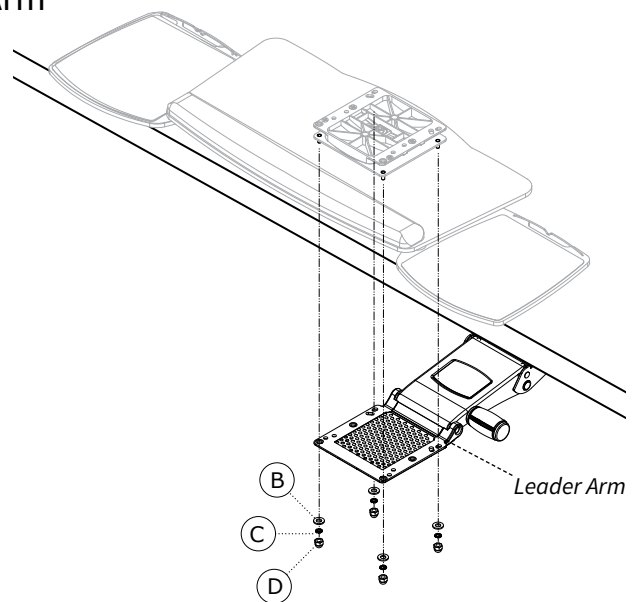
Install through these four holes

Note: The orientation of the Swivel Bracket will have "FRONT" at the User side of the platform when installed correctly.



2 Mount Keyboard Platform With Swivel Plate to Arm

Attach Platform and Swivel Plate assembly to the Leader Arm using the four #10 Washers (B), #10 Lock Washers (C) and #10-32 Acorn Nuts (D).



Install on Leader Arm