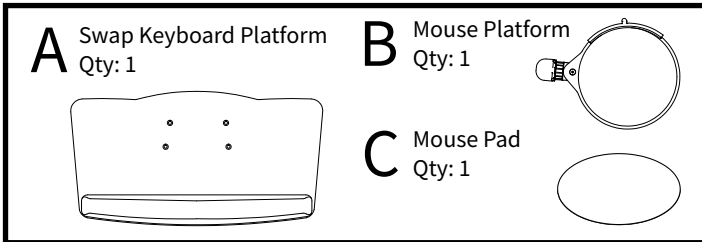


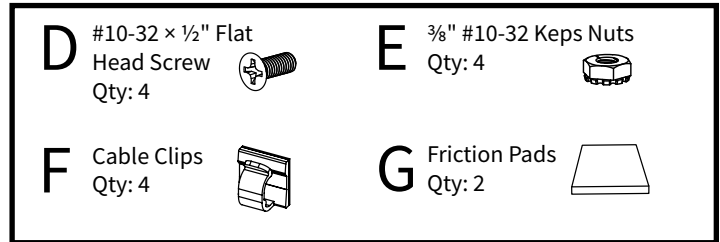
Assembly & Installation Instructions: Swap Keyboard Platform:



Parts Included



Hardware Kit: #4200094



Required

Leader Standard or Sit-Stand Keyboard Arm with Track

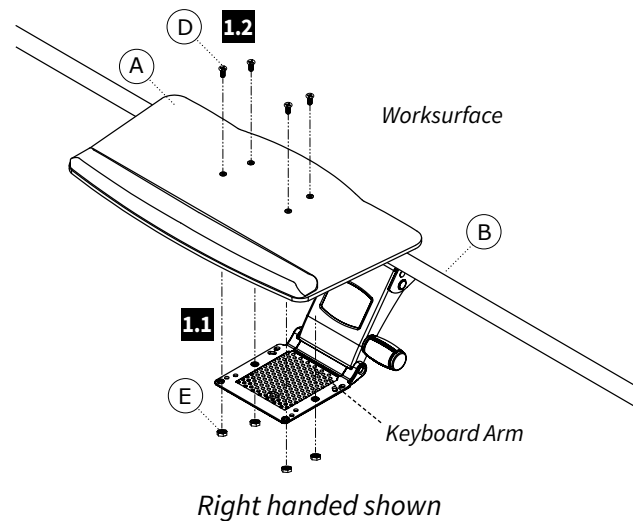
Tools Required

Wrench with 3/8" socket
#2 Phillips screwdriver or drill/driver

Note: Mount your Leader Arm with Track to your worksurface using the instructions that came with your Leader Arm.

1 Mount Keyboard Platform to Arm

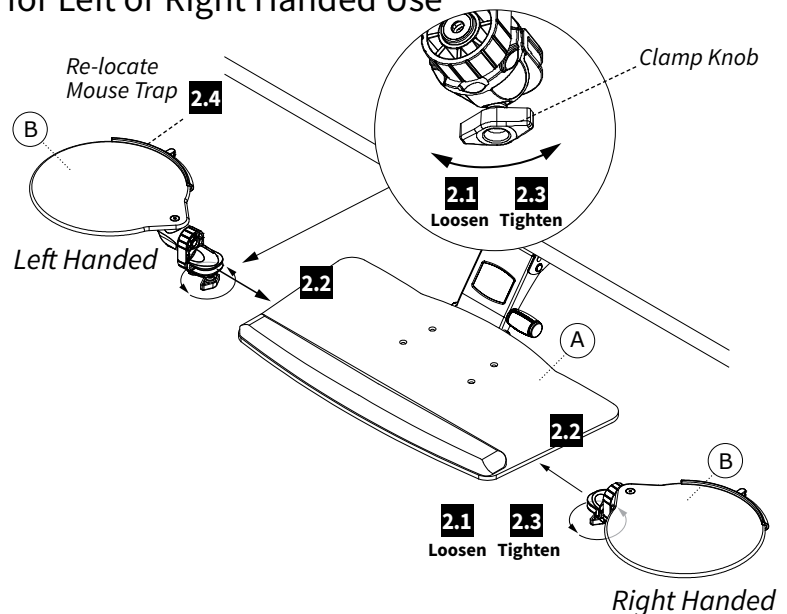
- 1.1** Place the Keyboard Platform (A) on the keyboard arm and align the four holes on the platform with the four holes in the arm.
- 1.2** Insert the #10-32 × 1/2" Flat Head Screws (D) through holes on platform, through the holes in the arm and fasten using four 3/8" #10-32 Keps Nuts (E). Tighten securely using Phillips head screwdriver.



2 Configuring Swap Mouse Platform for Left or Right Handed Use

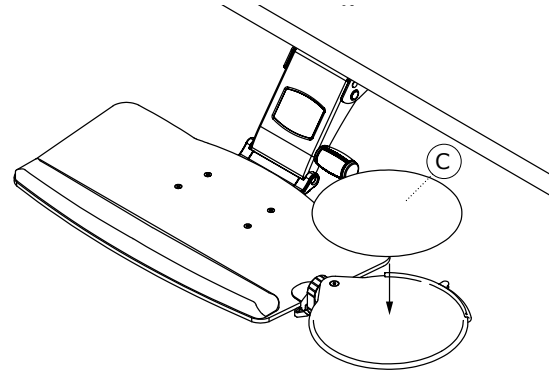
Swap Platforms are ambidexterous and can easily be installed for right or left handed use.

- 2.1** Loosen the Clamp Knob to allow Mouse Platform (B) to be slipped over the Keyboard Platform on either the right or left hand side.
- 2.2** Mount to Keyboard Platform on the front third of the Keyboard Platform, near the Wrist Rest.
- 2.3** Tighten Clamp Knob to lock into place.
- 2.4** If you've mounted for left hand use, re-locate the Mouse Trap to the rear of the Mouse Platform.



3 Place Mouse Pad

Peel the backing off the Mouse Pad (C) and place in either the right handed or left handed location. The Mouse Pad provides improved traction and pointing accuracy. It can be repositioned by simply peeling it up and placing it elsewhere.



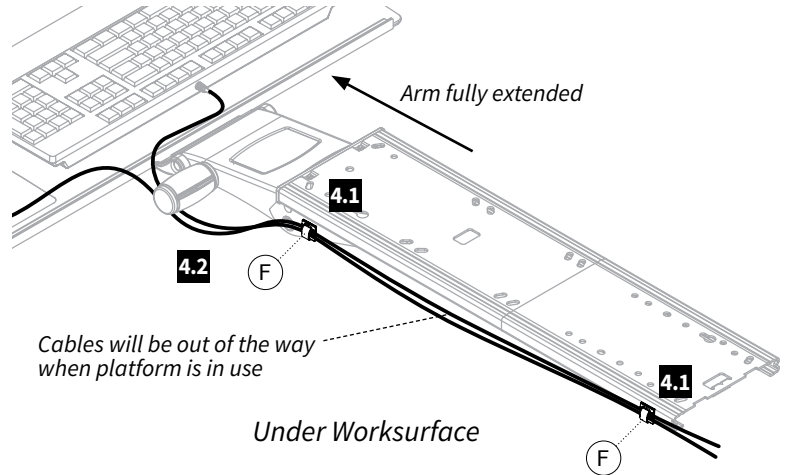
4 Attach Cable Clips and Route Keyboard and Mouse Cords

Note: Make sure your keyboard arm is fully extended before routing your cables.

- 4.1 Place one Cable Clip (F) on the side of the arm mechanism. Place the other Cable Clip on the rear of the track. Do the opposite side in the same fashion if cords run down the left side.

Caution: Adhesion is designed to bond immediately. You will not be able to reposition the clip once it's in place.

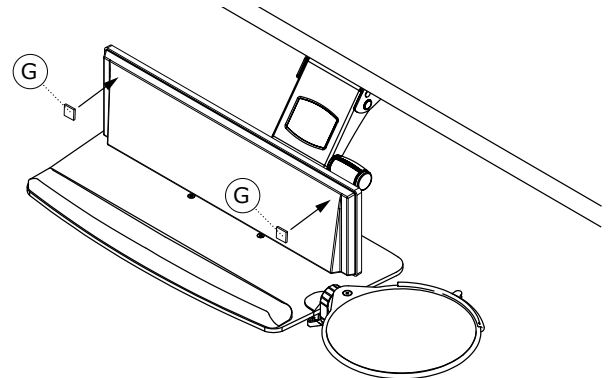
- 4.2 Route the Keyboard and mouse cords through Cable Clips and be sure to leave enough slack in cord to allow for unrestricted movement of the mouse.



5 Apply Friction Pads

Place Friction Pads (G) on the bottom surface of your keyboard to keep it in place, if necessary. The Friction Pads will keep your keyboard from sliding when the platform is angled.

Caution: Adhesion is designed to bond immediately. You will not be able to reposition the clip once it's in place.



6 Consult the User Guide for your Leader Arm

Go to www.workriteergo.com/instructions to find the Leader Arm User Guide for instructions on how to set up this product for ideal ergonomic benefit.

