

ADJUSTABLE KEYBOARD PLATFORM

S2S ULTRATHIN PLATFORM



Monitor arm and monitor not included.

A REAL SIT TO STAND HEIGHT RANGE FOR LARGER KEYBOARDS

The S2S Ultrathin System offers the greatest user height adjustability range in a keyboard arms coupled with our Ultrathin Platform for a real sit to stand height range for larger keyboards. This system creates a sit to stand height range that allows fixed height workstations to become sit stand workstations.

Ultra-thin phenolic material backed by our lifetime warranty provides years of dependable quality and performance. The removable palm support accommodates both right and left mouse use. Includes our Optimizer document holder and cable management for both the mouse and keyboard.



22 inches of height range makes it easy to transform from standing to seated height.



Conveniently stows under 30" workspace.

Workrite
ergonomics®

S2S ULTRATHIN PLATFORM



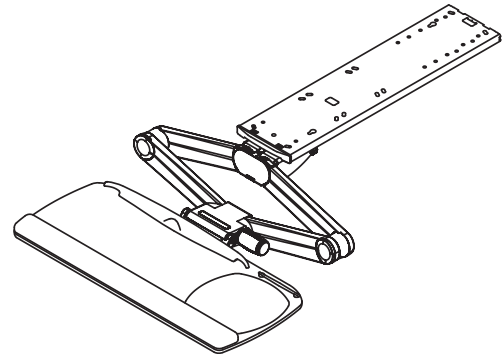
S2S Ultrathin System

Keyboard & mouse platform:

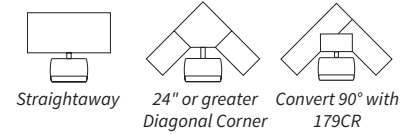
- Optimizer document holder & cable management
- UltraThin™ .25" solid phenolic construction
- Removable palm support
- Silver keyboard arm, black keyboard tray

Keyboard arm:

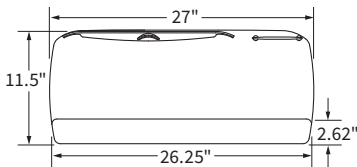
- System includes Pinnacle S2S keyboard arm
- Adjusts from 16" above to 6" below work surface
- No knob/no lever Lift-n-Lock height adjustment
- 30° tilt range: -20° +10°
- Smooth nylon glide track
- Meets ANSI/BIFMA X5.5 standards
- Exceeds front of track .75" on 22" track
- Exceeds front of track 5.75" on 17" track



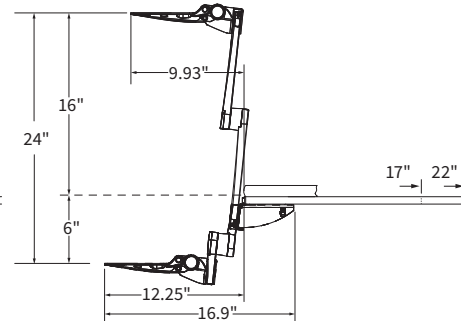
Desk compatibility



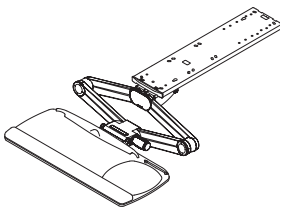
Dimensions



-20° Tilt
+10° Tilt



S2S Ultrathin System



Track Length	Model #	Weight	US \$ List	CAN \$ List
17"	2485-17	18	\$533	\$683
22"	2485-22	20	\$548	\$703

Replacement Parts:

Keyboard Palm Support	AKP-KPS-26.2-25	1	\$63	\$81
Mouse Surface	AKP-MS-STD	1	\$19	\$24
Ultra-Thin Hardware Kit	AKP-HDWR-ULT	1	\$10	\$13