



Monitor arm and monitor not included.

EXCEPTIONAL USER HEIGHT ADJUSTABILITY

The S2S Compact System offers the greatest user height adjustability range in a keyboard arms available today. Coupled with the Compact Platform, it is designed for limited depth, straight worksurfaces and shallow keyboards that are less than 6" deep.

The compact design makes full storage possible on a 22" track. This system creates a sit to stand height range that allows fixed height workstations to become sit stand workstations. The removable palm support adjusts easily from side to side to accommodate both right or left mouse use. Includes our Pinnacle S2S keyboard arm with nylon glide track. Ultra-thin phenolic material backed by our lifetime warranty provides years of dependable quality and performance.



22 inches of height range makes it easy to transform from standing to seated height.



Conveniently stows under 30" worksurface.

S2S COMPACT PLATFORM



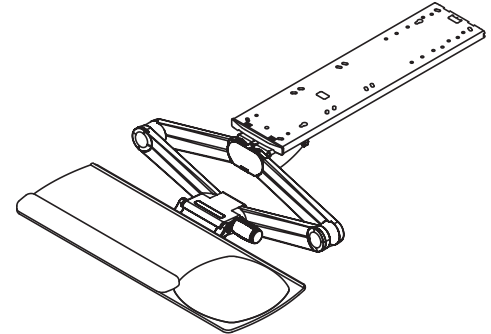
S2S Compact System

Keyboard & mouse platform:

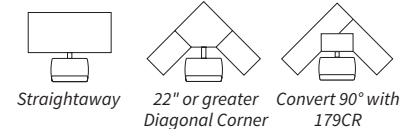
- Sized for compact keyboards less than 6" deep
- UltraThin™ .25" solid phenolic construction
- Includes palm support
- Right/Left reversible
- Silver keyboard arm, black keyboard tray

Keyboard arm:

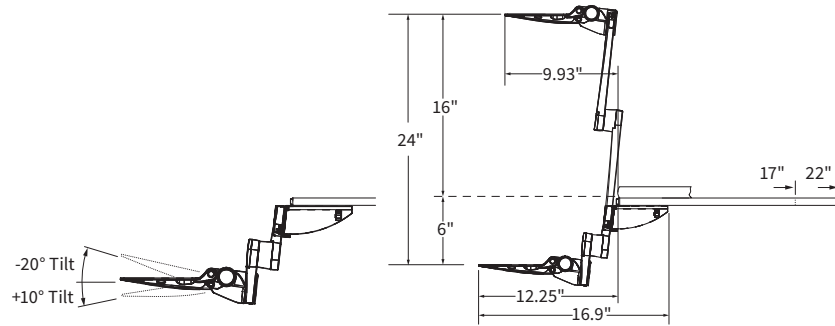
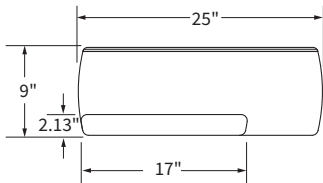
- System includes Pinnacle S2S keyboard arm
- Adjusts from 16" above to 6" below work surface
- No knob/no lever Lift-n-Lock height adjustment
- 30° tilt range: -20° +10°
- Smooth nylon glide track
- Meets ANSI/BIFMA X5.5 standards
- Fully stores on 22" track
- Exceeds front of track 3" on 17" track



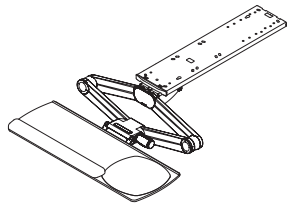
Desk compatibility



Dimensions



S2S Compact System



Track Length	Model #	Weight	US \$ List	CAN \$ List
17"	2472-17	18	\$502	\$644
22"	2472-22	20	\$517	\$663

Accessories:

Mouse Palm Support	2120-25	1	\$40	\$51
--------------------	---------	---	------	------

Replacement Parts:

Keyboard Palm Support	AKP-KPS-17-25	1	\$53	\$68
Mouse Surface	AKP-MS-STD	1	\$19	\$24
Hardware Kit	AKP-HDWR-ULT	1	\$10	\$13