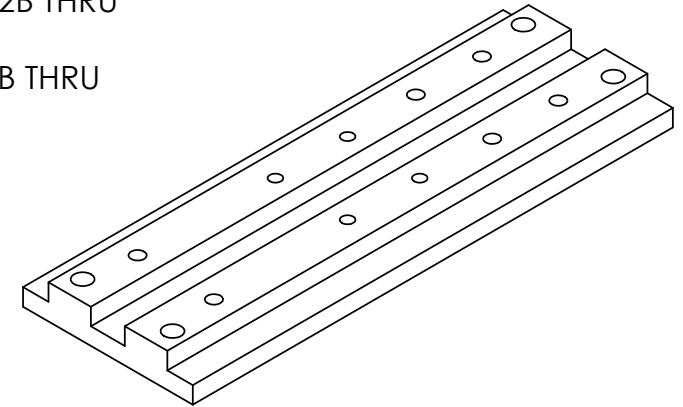
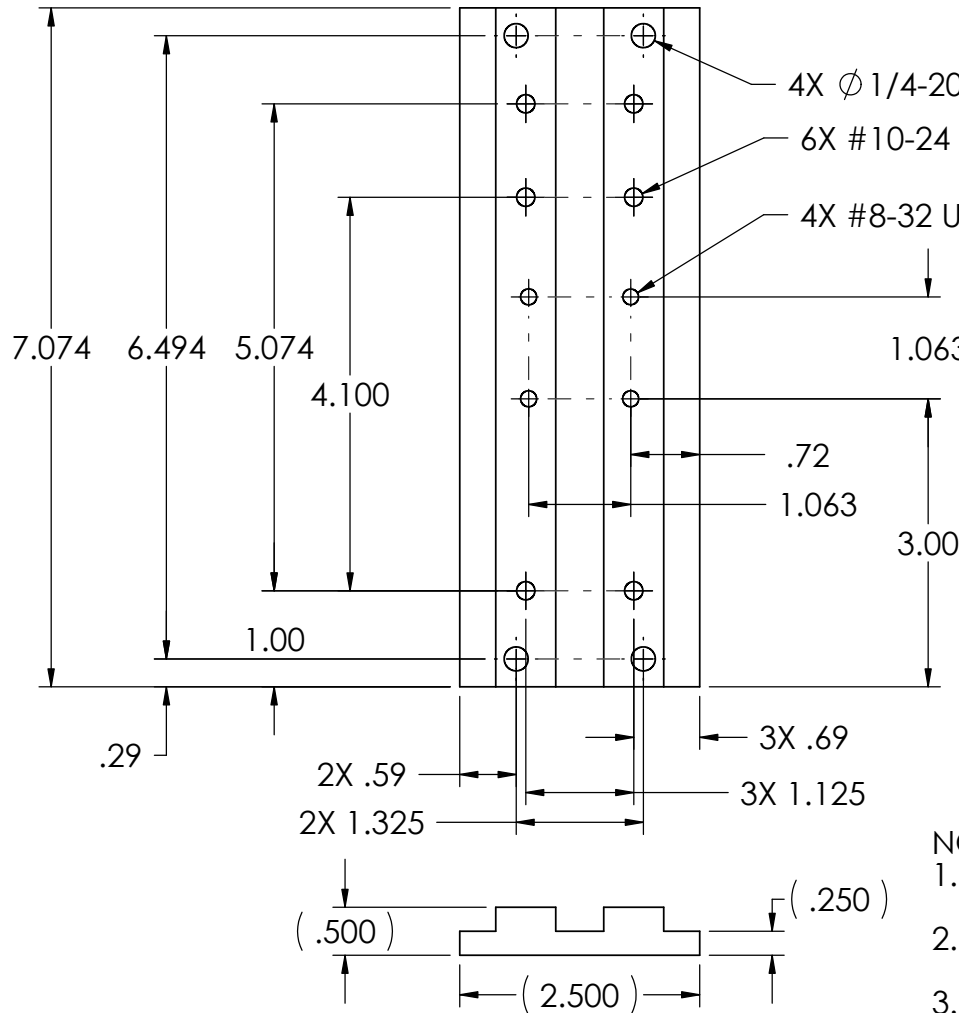


PART NUMBER	STATUS
310-097	ACTIVE - AS SHOWN

REV		DESCRIPTION	ECO #	DATE	RESP ENG	CHECKER
B		REDRAW IN SOLIDWORKS. REVISED NOTE 3. DELETE NOTE 4.	1802	1/8/03	SAN	



- NOTES:
1. APPEARANCE PART: NO SCRATCHES OR OTHER BLEMISHES ALLOWED.
 2. MATERIAL: EXTRUSION, INSERT WALL MOUNT TRACK. FOR SPECIFICATIONS SEE DRAWING 640-001.
 3. FINISH PER ERGOTRON SPEC. 880-01-001.

THIRD ANGLE PROJECTION 	UNLESS OTHERWISE SPECIFIED DIMENSIONS ARE IN INCHES			CAD GENERATED DRAWING, DO NOT MANUALLY UPDATE		ERGOTRON®		
	TOLERANCE UNLESS NOTED			APPROVALS	DATE			TITLE
DIMS. AND TOLERANCES PER ASME Y14.5 - 1994	.X	.XX	.XXX	DRAWN	DMS	11/10/97	PLATE, MOUNTING BRACKET, -FLAT PANEL MONITOR ARM-MOUNT	
	±.1	±.03	±.010	CHECKED	SAN	11/10/97		
MATERIAL	SEE NOTES			RESP ENG	DMS	11/10/97		
FINISH	SEE NOTES			MFG ENG			SIZE DWG NO	
				ANGULAR: ±0°30'		QUAL ENG		A 310-097
				SURFACE FINISH: 125		SCALE NONE		REV. B
						SHEET 1 OF 1		

THE INFORMATION AND DESIGNS CONTAINED IN THIS DRAWING ARE CONFIDENTIAL AND THE PROPRIETARY PROPERTY OF ERGOTRON, INC. NEITHER THIS DESIGN NOR ANY INFORMATION CONTAINED IN THIS DRAWING MAY BE REPRODUCED OR DISCLOSED TO OTHERS WITHOUT THE EXPRESS WRITTEN CONSENT OF ERGOTRON, INC.

B

A

310-097

B

A