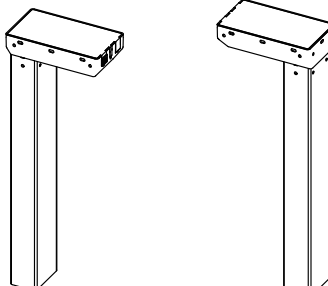
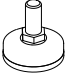
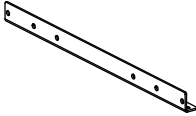

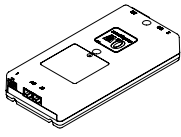
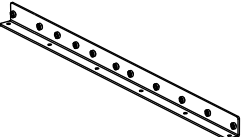
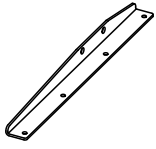

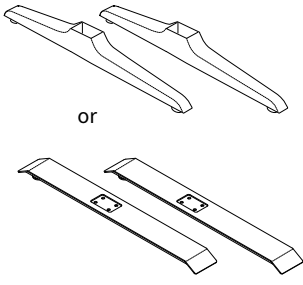
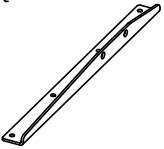



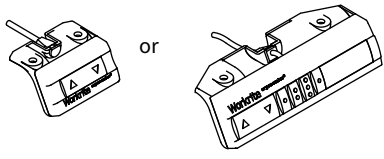
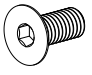

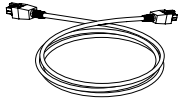

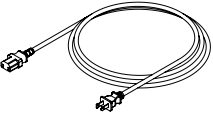


Assembly & Installation Instructions: Sierra 2-Leg Desk in a Box SEHX54-72-XXX-XX-X

Parts Included

<p>A Leg Qty: 2</p> 	<p>H Foot Glide Qty: 4</p> 	<p>Q Rear Bracket Qty: 2</p> 
<p>B Short Bracket Qty: 2</p> 	<p>I Control Box Qty: 1</p> 	<p>R Connector Bracket Qty: 1</p> 
<p>C Left End Bracket Qty: 1</p> 	<p>J #12 × 2" Flat Head Screw Qty: 2</p> 	<p>S Style or Flat Foot Kit Qty: 1</p> 
<p>D Right End Bracket Qty: 1</p> 	<p>K Cable Spool Qty: 2</p> 	<p>T Standard or Programmable Switch Qty: 1</p>
<p>E 4 mm Allen Wrench Qty: 1</p> 	<p>L #8 × 5/8" Pan Head Screw Qty: 12</p> 	
<p>F #M6 × 14 mm Flat Head Cap Screw Qty: 24</p> 	<p>M 3/16" Cable Loops Qty: 10</p> 	<p>N Leg Cable, 1 meter Qty: 2</p> 
<p>G #12 × 3/4" Pan Head Laminate Top Screw Qty: 38</p> 	<p>O Power Cord Qty: 1</p> 	<p>Sold Separately: Worksurface</p>

⚠️ WARNING: Maximum loading of table assembly is 225 lb. (102 kg.). Maximum load includes the weight of the table top itself, any equipment placed upon it, and any equipment suspended or hanging under it. Loading should be evenly distributed over table surfaces. “Payload Capacity” is the Workrite Ergonomics recommended maximum loading which includes the Workrite sourced worksurface.

Sierra 2-Leg

V = 120 VAC, 60 Hz / 4.25 A maximum

IMPORTANT SAFETY INSTRUCTIONS:

When using an electrical furnishing, basic precautions should always be followed, including the following: Read all instructions before using this Sierra Workcenter.

DANGER: To reduce the risk of electric shock, always unplug this Sierra Workcenter from the electrical outlet before cleaning.

⚠️ WARNING: To reduce the risk of burns, fire, electric shock, or injury to persons:

1. Unplug from outlet before putting on or taking off parts.
2. Close supervision is necessary when this furnishing is used by, or near children, invalids, or disabled persons.
3. Use this furnishing only for its intended use as described in these instructions. Do not use attachments not recommended by the manufacturer.
4. Never operate this furnishing if it has a damaged cord or plug, if it is not working properly, if it has been dropped or damaged, or dropped into water. Return the furnishing to a service center for examination and repair.
5. Keep the cord away from heated surfaces.
6. Do not use outdoors.
7. Do not operate where aerosol (spray) products are being used or where oxygen is being administered.
8. To disconnect, remove plug from outlet.
9. Each surface intended to support an equipment payload capacity of 225 pounds.

FOR COMMERCIAL USE ONLY

SAVE THESE INSTRUCTIONS



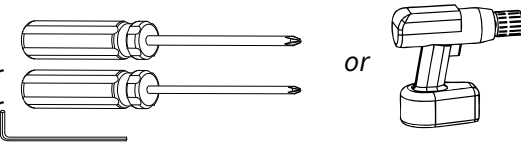
IMPORTANT NOTE!

You must complete initialization (Step 14) at the end of assembly or your workcenter WILL NOT FUNCTION PROPERLY.

✓ Verify that you have all the tools needed for the assembly

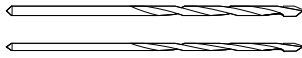
You will need the following tools:

#2 tip Phillips screwdriver or drill/driver
#3 tip Phillips screwdriver or drill/driver
M4 tip bit or 4 mm Allen Wrench (E)



If you do not have a Workrite worksurface, you will also need:

1/8" pilot drill bit
3/32" pilot drill bit



1 Assemble Rear Brackets Set

Assemble Rear Brackets (Q) to Connector Bracket (R) using #M6 × 14 mm Flat Head Cap Screws (F).

Use this guide to determine the correct holes for mounting based on the width of your workcenter.

Tighten securely.

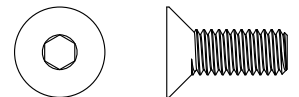
Note: Workrite Brackets can be sized in 3" increments for any non-Workrite top.



To avoid stripping the threads, always insert and make the first few turns of the screw **BY HAND** with an Allen wrench (E), ensuring it is in straight.

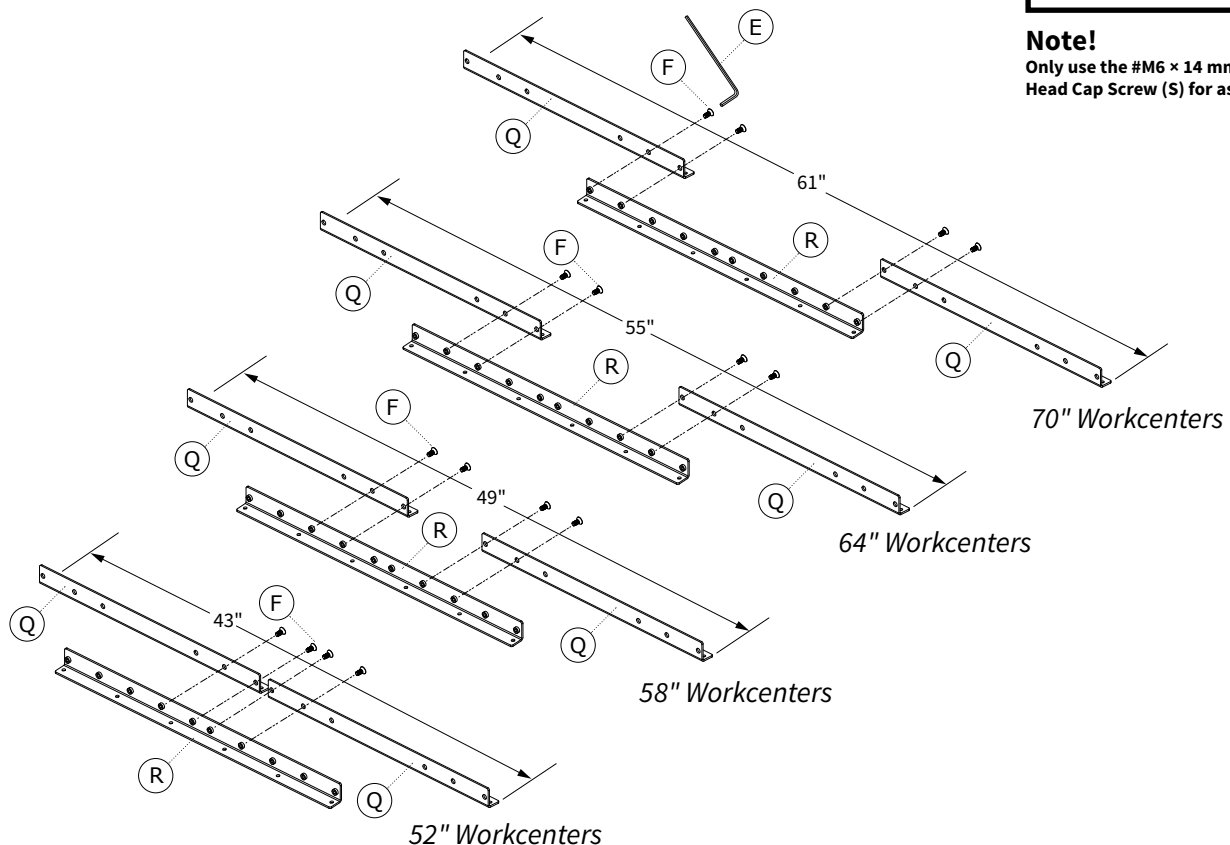
Hardware at actual size

F #M6 × 14 mm Flat Head Cap Screw



Note!

Only use the #M6 × 14 mm Flat Head Cap Screw (S) for assembly.



2 Attach Brackets to Legs

- 2.1 Attach Short Brackets (B) using #M6 × 14 mm Flat Head Cap Screws (F) to both legs.
- 2.2 Attach Left End Bracket (C) and Right End Bracket (D) to sides of the Leg (A) using #M6 × 14 mm Flat Head Cap Screws (F).
- 2.3 Attach Rear Bracket Assembly to sides of the Leg (A) using #M6 × 14 mm Flat Head Cap Screws (F).

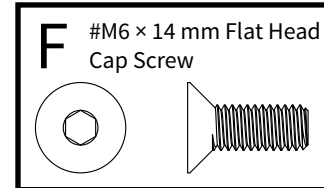
Note: The Right End Bracket will be on your left and vice versa when the assembly is seen upside down.

Tighten securely.



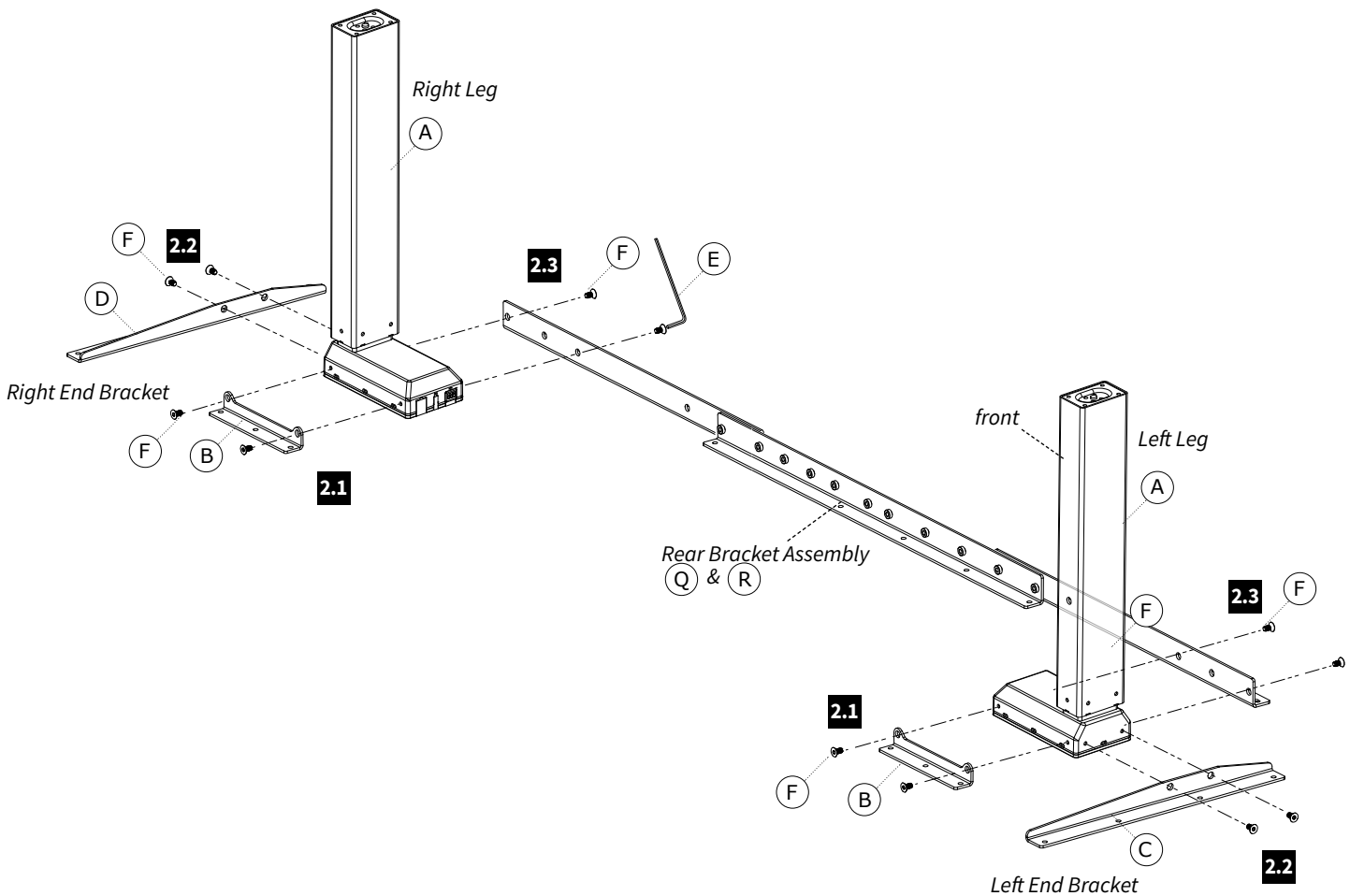
To avoid stripping the threads, always insert and make the first few turns of the screw **BY HAND** with an Allen wrench (E), ensuring it is in straight.

Hardware at actual size



Caution!

Only use the #M6 × 14 mm Flat Head Cap Screw (F) for assembly.



3 Attach Base to Worksurface

Note: For **Workrite Top**, position leg assembly to align mounting holes in brackets to pre-drilled holes in worksurface. For **Non-Workrite Top**, follow steps below.

3.1 Position Leg Assembly centered left to right and 6.125" from the front of the worksurface, making sure the frame runs parallel with the back edge of the worksurface.

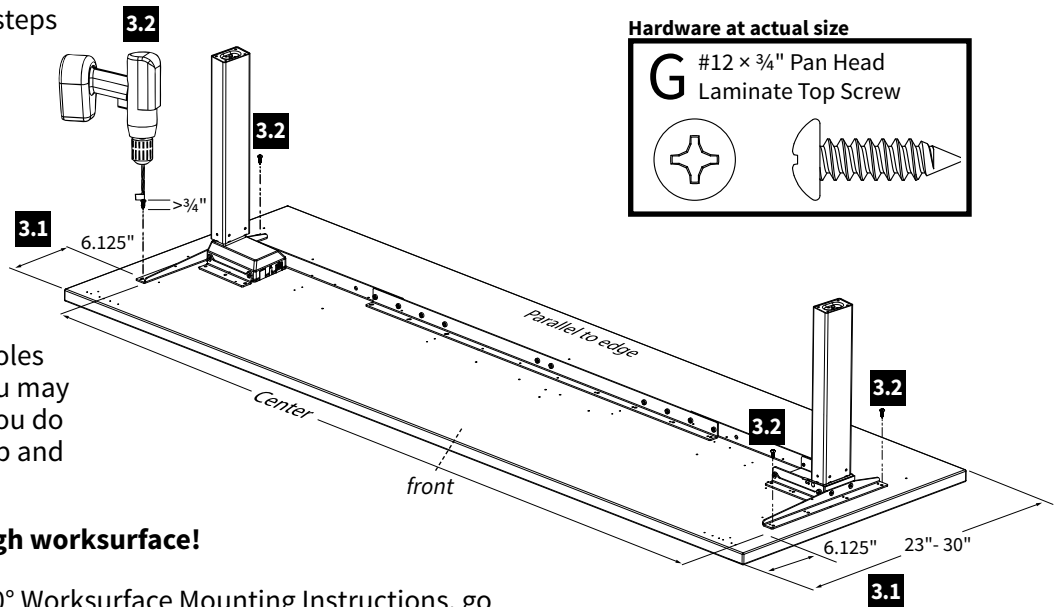
3.2 Use a 1/8" drill bit to drill pilot holes at the four corner locations. You may wish to mark your drill bit so you do not drill any more than 3/4" deep and damage your worksurface top.

Do not drill all the way through worksurface!

Note: For 2-Leg Corner and 120° Worksurface Mounting Instructions, go to: www.workriteergo.com/instructions



Note: Avoid trip or tip hazards!
For uniquely shaped, non-rectangular worksurfaces, it is the installers responsibility to position the worksurface to minimize extended overhangs and position feet fully under the worksurface.

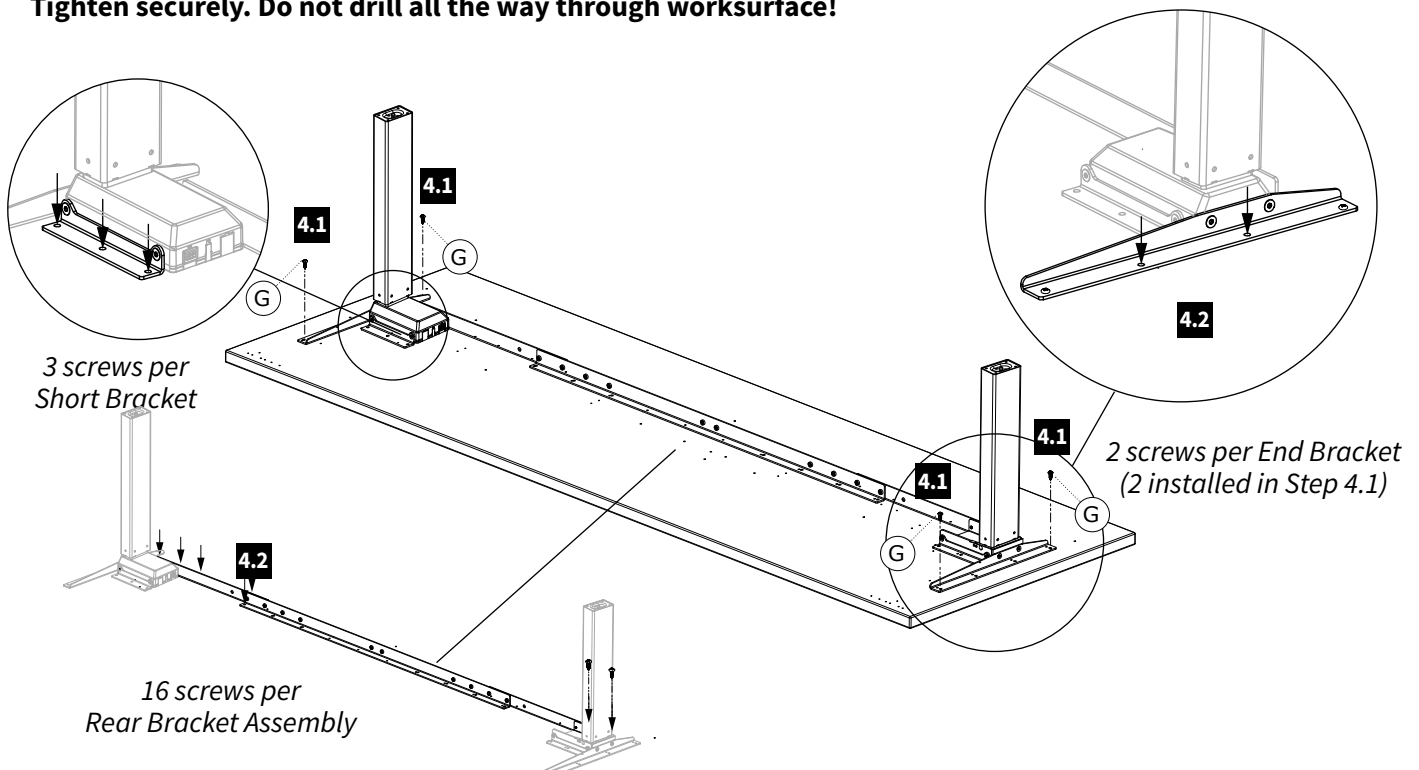


4 Attach Base to the drilled Worksurface

4.1 Attach at the four corner locations using #12 x 3/4" Pan Head Laminate Top Screws (G). If you use an electric screwdriver, be sure it is on the lowest torque setting to avoid stripping the holes in the top.

4.2 With frame set positioned and the six corner screws secure, drill pilot holes first then attach the frame set using the remaining #12 x 3/4" Pan Head Laminate Top Screws (G).

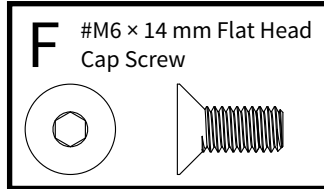
Tighten securely. Do not drill all the way through worksurface!



5 Attach Feet & Install Foot Glides

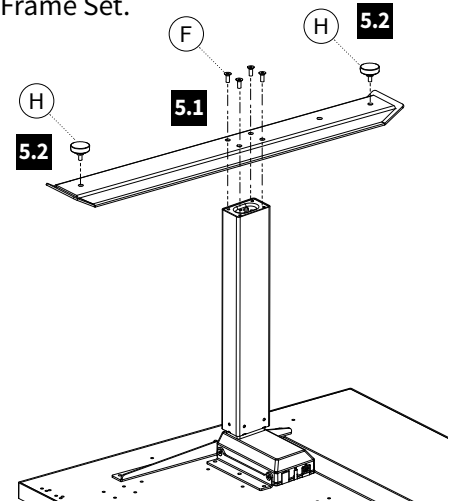
- 5.1 Install feet (S) using #M6 × 14 mm Flat Head Screws (F) included with this Frame Set.
- 5.2 Attach Foot Glide (H) to bottom of the Feet supplied in your Foot Kit.

Hardware at actual size



Caution!

Only use the #M6 × 14 mm Flat Head Cap Screw (F) for assembly.

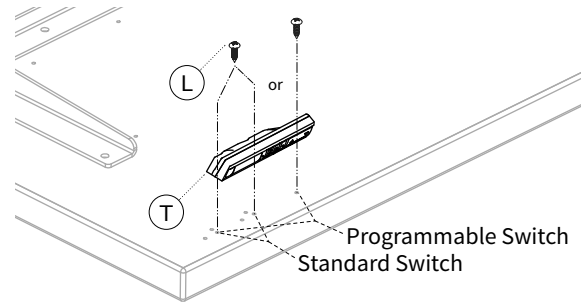
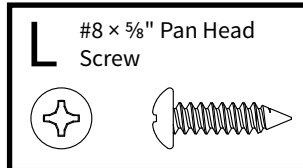


Flat Foot shown

6 Attach Switch

Install switch (T) with two #8 × 5/8" Pan Head Screws (L).

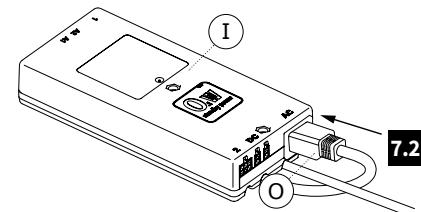
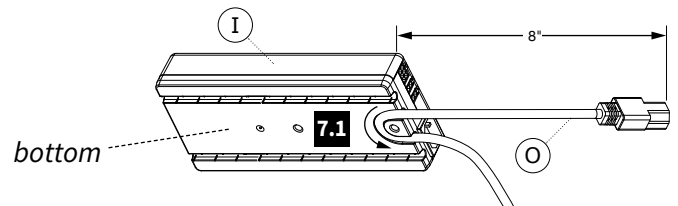
Hardware at actual size



Programmable Switch shown

7 Loop Power Cord through Strain Relief on Control Box

- 7.1 Loop the Power Cord (O) through the strain relief channel on the bottom of the Control Box (I) as shown. Leave eight inches of slack to route cord.
- 7.2 Plug Power Cord (O) into port AC on the Control Box (I).
- 7.3 Lay the Control Box down in installation location with cables in place.



8 Attach Control Box & Cable Spools to Worksurface

8.1 Position Control Box (I).

If you have a Workrite worksurface:

Locate the two pilot holes for the Control Box and proceed to **Step 9b**.

If you do not have a Workrite worksurface:

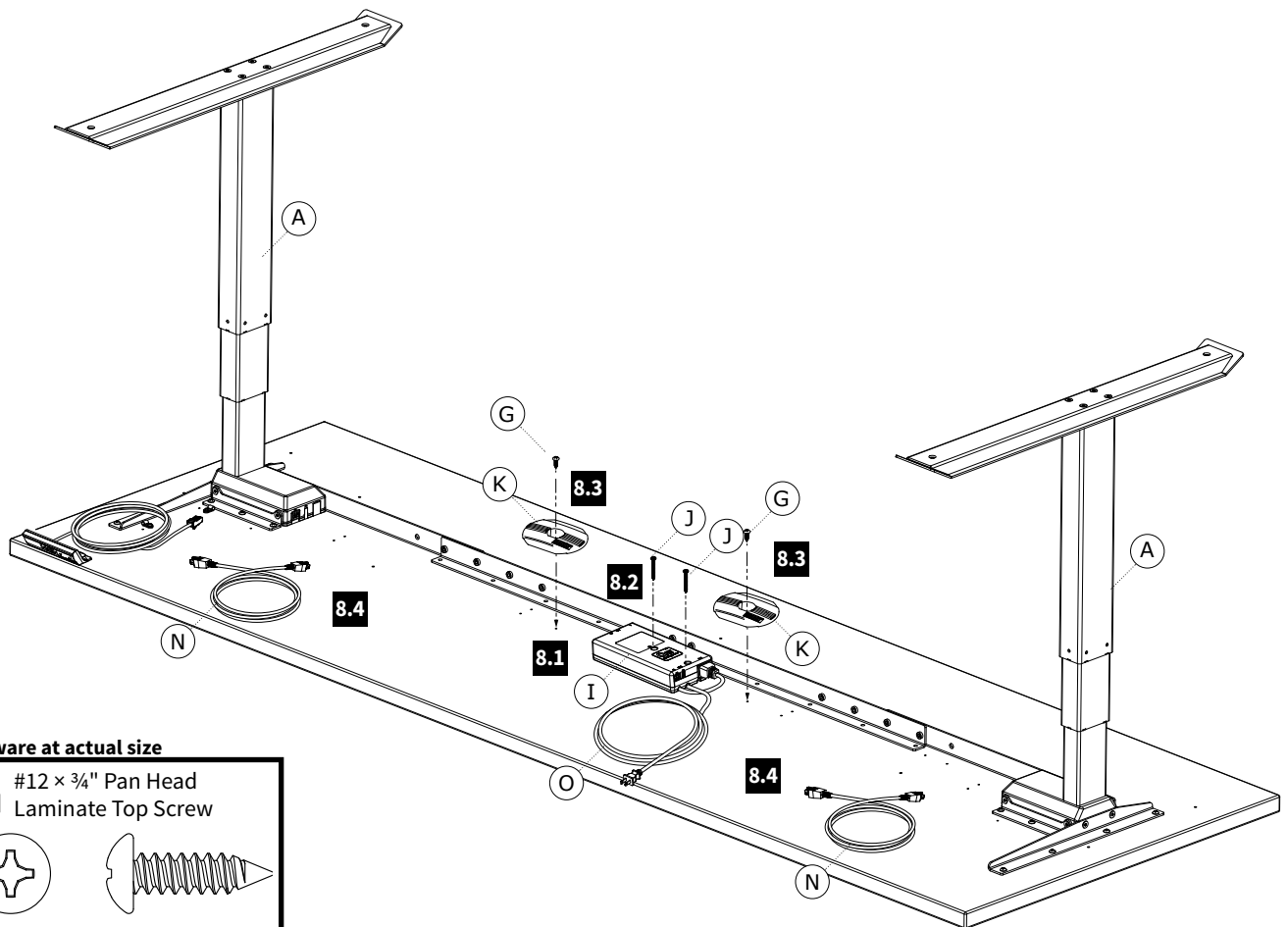
Place Control Box (I) in position and use a pencil to mark pilot hole placement. Control Box should be placed towards rear center of worksurface as shown. Remove Control Box and drill pilot holes where marked.

Do not drill all the way through worksurface!

8.2 With Control Box (I) positioned over pilot holes, attach with two #12 × 2" Flat Head Screws (J).

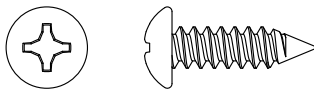
8.3 Attach Cable Spool (K) with the #12 × ¾" Pan Head Screw (G) to underside of worksurface. If you do not have a Workrite worksurface, mount Cable Spools (K) in a convenient location between Legs and Control Box.

8.4 Lay out Leg Cables (N) to be sure they reach from the Legs (A) to the Control Box (I).



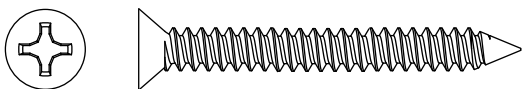
Hardware at actual size

G #12 × ¾" Pan Head
Laminate Top Screw



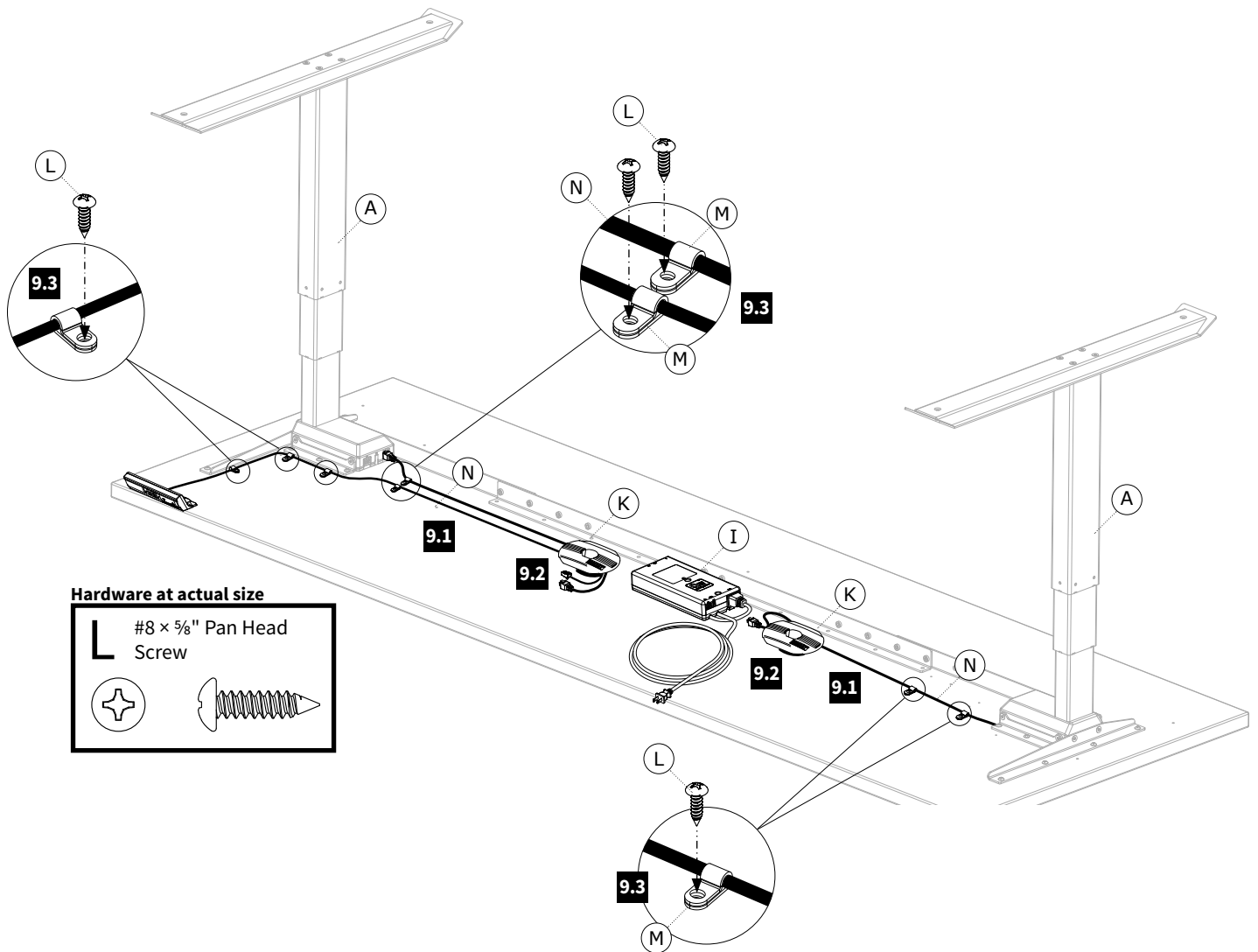
Hardware at actual size

J #12 × 2" Flat Head Screw



9 Attach Cable Loops and Route Cables

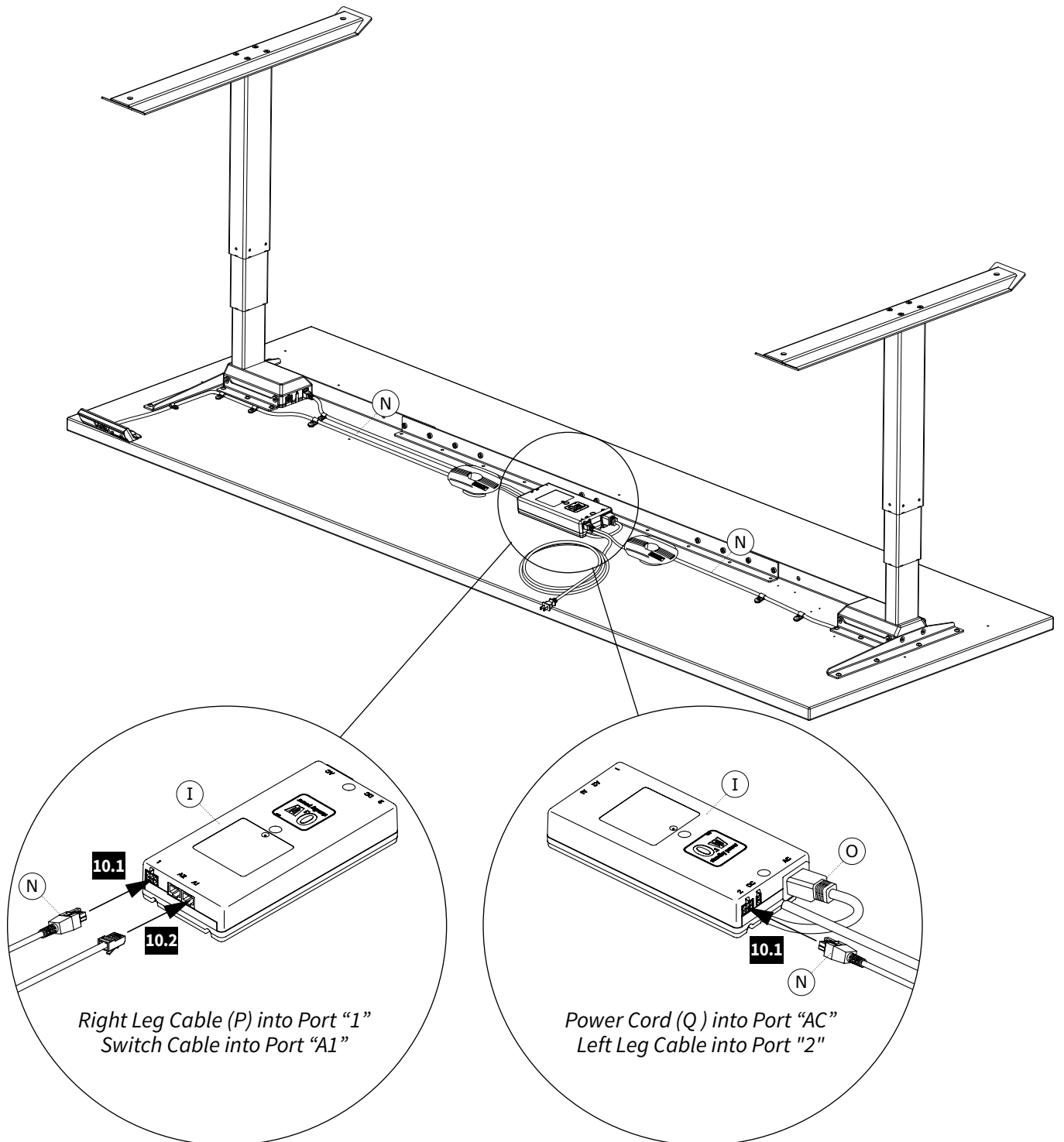
- 9.1 Connect both of the 1 meter Leg Cables (N) to both Legs (A).
- 9.2 Wind any remaining slack around Cable Spools (K) to keep cables out of the way while leaving enough slack to just reach the Control Box (I).
- 9.3 Attach Cable Loops (M) to underside of worksurface using #8 × 5/8" Pan Head Screw (L) making sure to wrap the Cable Loop around the cable prior to attaching. If you do not have a Workrite worksurface, attach cable loops in convenient locations between Legs or Switch and the Control Box.



10 Connect Leg Cables, Switch Cable and Power Cord to Control Box

10.1 Connect the Leg Cables (N) to the ports "1" & "2" on both sides of the Control Box (I).

10.2 Insert the Switch Cable into port "A1" on the Control Box (I).

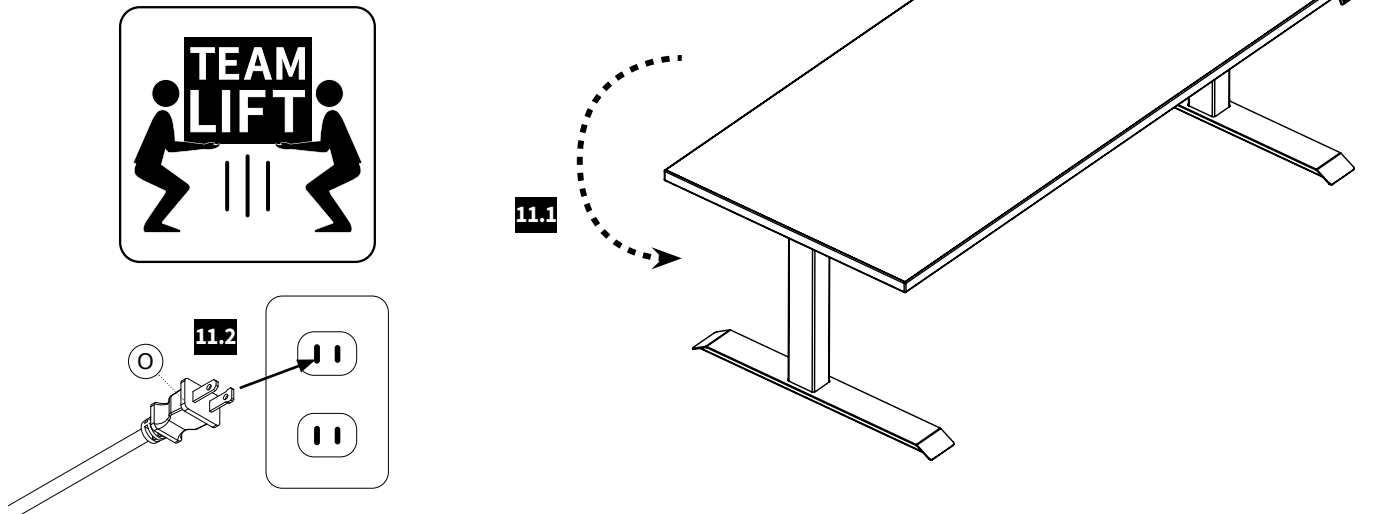


11 Put Workcenter Upright and Connect Power Cord to the Power Supply

11.1 Turn the workcenter over into an upright position.

Caution: Use at least two people to flip or move Workcenters. **HEAVY!**

11.2 Plug the Power Cord (O) into the power outlet.

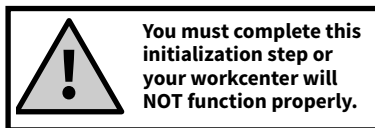


12 Adjust Feet Glides

If necessary, adjust the Foot Glides (H) on workcenter feet to level the worksurface. Unscrew to increase height, screw in to decrease height.

13 Initialize Legs

After all Legs and the Switch are connected, and the power cord has been plugged in, hold the **down arrow** on the Switch until the Legs make a short motion down and then back up. This initializes and synchronizes the workcenter Legs.



Hold down the down arrow until workcenter moves slightly upwards!

✓ Cleaning Instructions

To clean the Sierra legs, apply cleaner to a soft cloth.

Suggested cleaners: Windex or Formula 409.

Do not use solvents and do not saturate or spray cleaners directly onto workcenter base.

✓ Parts & Accessories

Visit http://workriteergo.com/documentation/other/workrite_ergonomics_pricing_specification_guide.pdf for replacement parts.