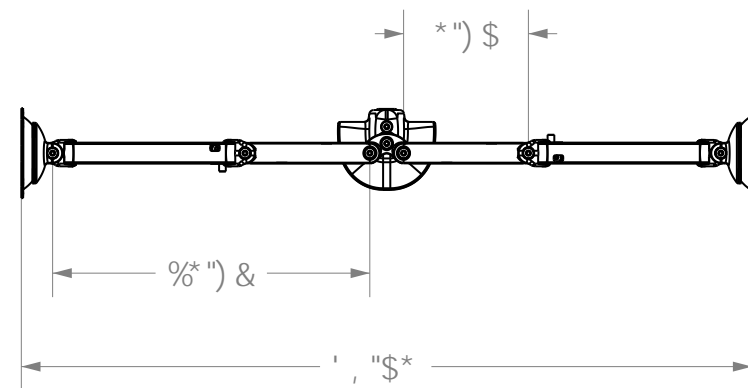
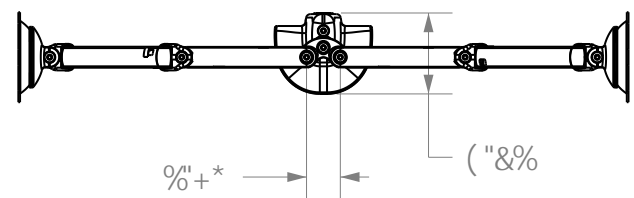
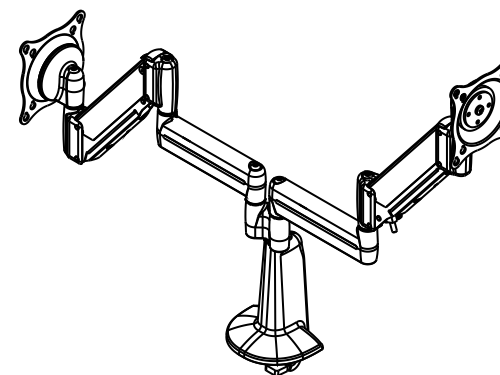


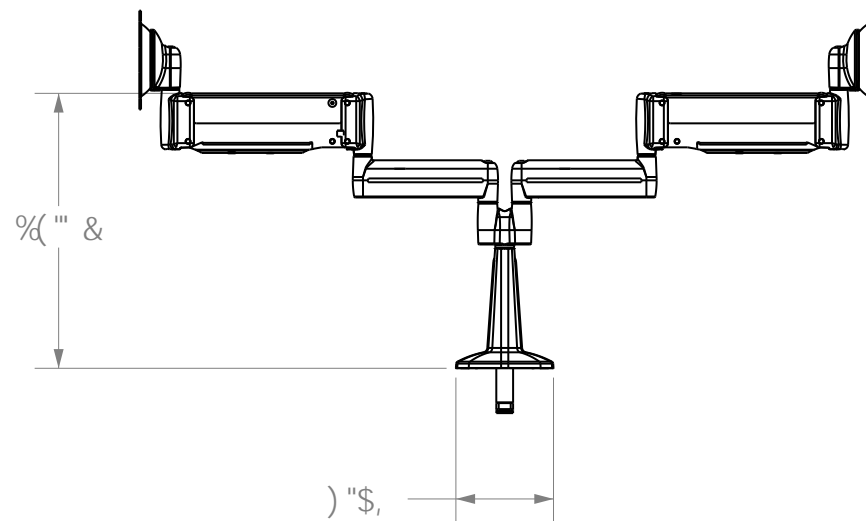
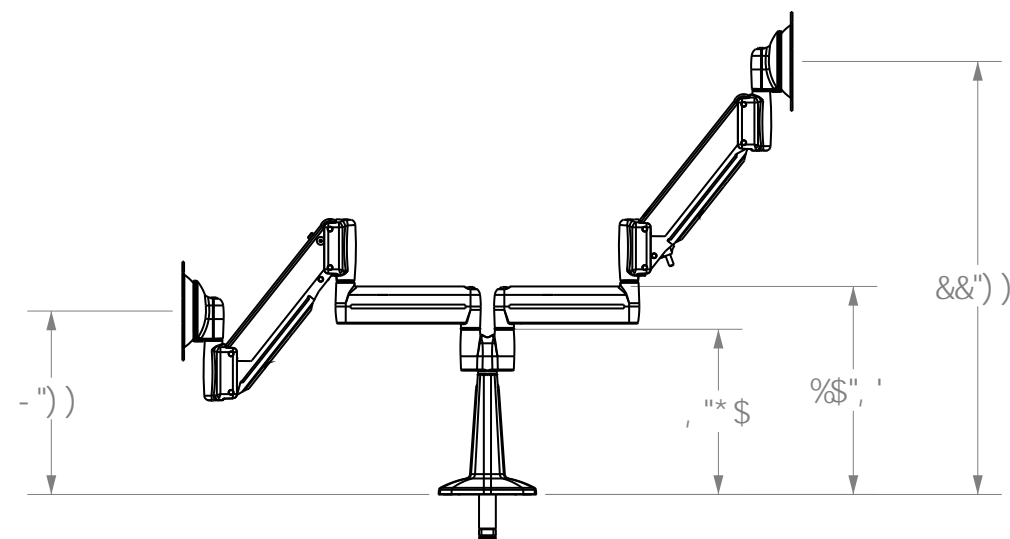
8



7



6




5



7 < 9: A 5BI : 57H F-B; 'B7"
 A CI BHC F89' BI A 69' -G?7M&&\$
 D<CB9.% , \$!) , &* (, \$

G<99HG7 5 @9'1 '%%\$

H<9-B: CFA 5HCB'5B8'89G? BG7CBH5-B98
 -B'k-G'8F5K -B; '5F97CB: -89BH5@5B8'H<9
 DFCDF-9-5FMDFC D9'FMC: 7<9: 'A: ; 'Z-B7"
 B9Hk9'k-G'89G? B'BCF'5BM-B: CFA 5HCB
 7CBH5-B98 -B'k-G'8F5K -B; 'A 5M69
 F9DFC8I 798'CF'8-67 @G98'HC'CH'9FG
 K -kCI Hk'99LDF9GGK F#H9B 7CBG9BHC:
 7<9: 'A: ; 'Z-B7"

CHIEF  7 < 9: A 5BI : 57H F-B; Z-B7"
 (\$%95: @97 F997 D7K MG97'+S\$2G5J 5: 92A B')' +,
%,\$\$), 8'-(, \$ 1 : 5L % , ++; -(* - %

H#99
71 GCA 9F'DF-BH
?7M&&\$

G#9' BK : *BC*
 6 **?7M&&\$**

...?7M&&\$ 8 7 6 5