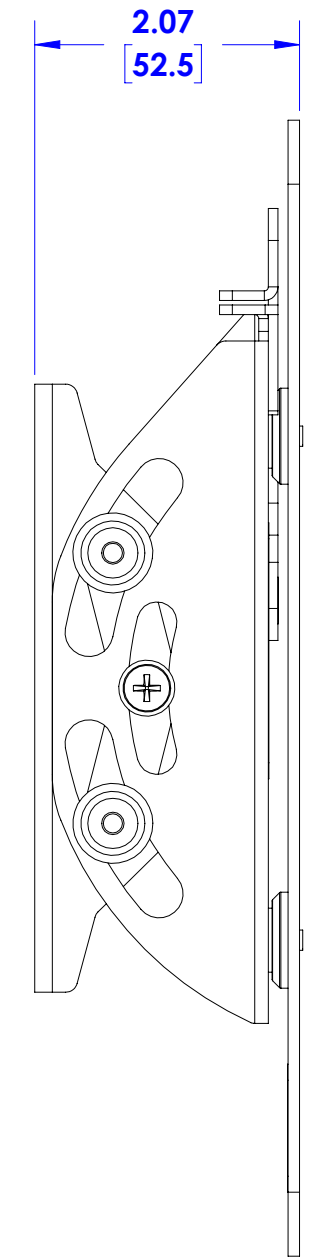
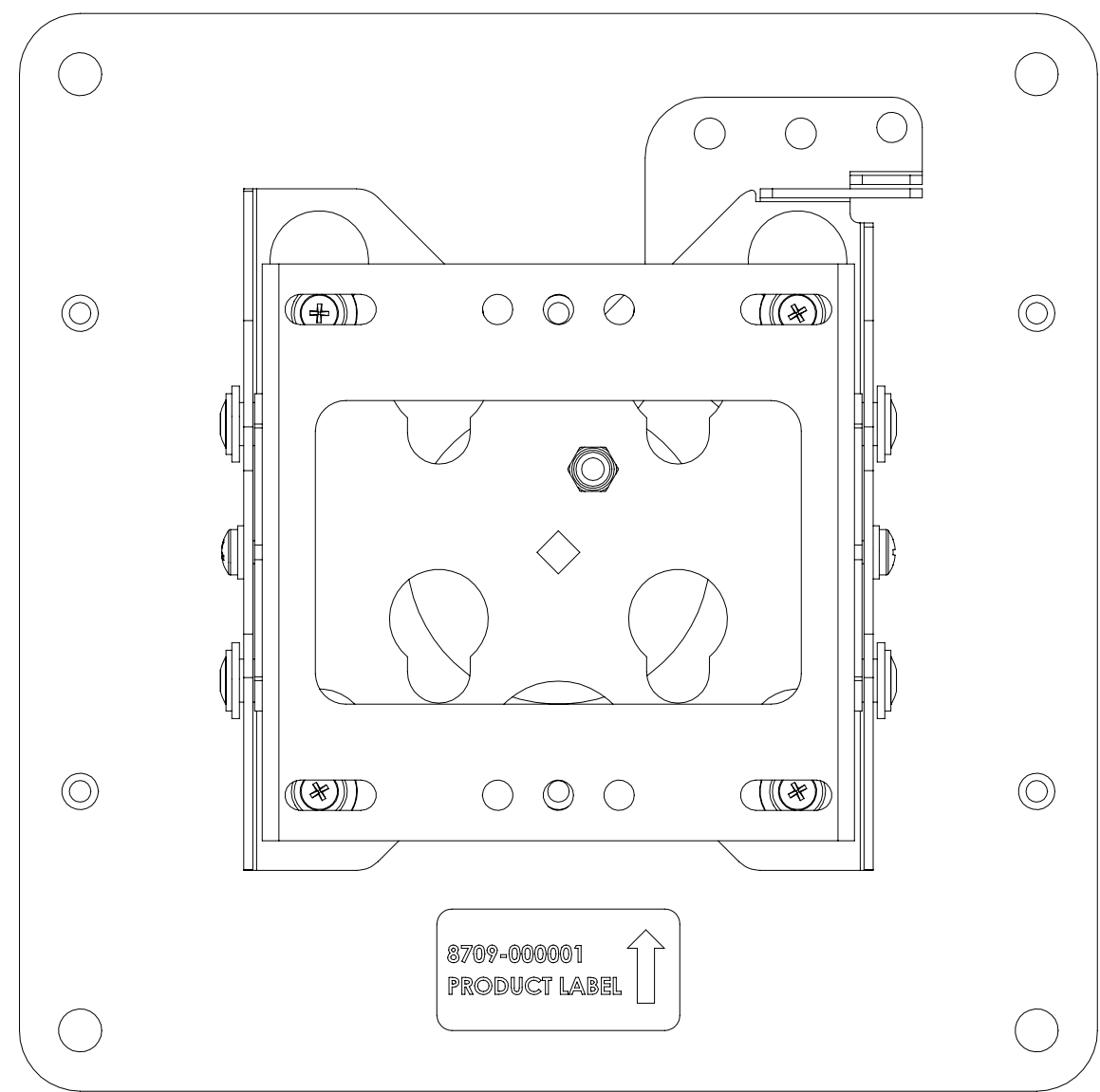


THE INFORMATION AND DESIGNS CONTAINED IN THIS DRAWING ARE CONFIDENTIAL AND THE PROPRIETARY PROPERTY OF MILESTONE AV TECHNOLOGIES NEITHER THIS DESIGN NOR ANY INFORMATION CONTAINED IN THIS DRAWING MAY BE REPRODUCED OR DISCLOSED TO OTHERS WITHOUT THE EXPRESS WRITTEN CONSENT OF MILESTONE AV TECHNOLOGIES.

CAD GENERATED DRAWING, DO NOT MANUALLY UPDATE.				6436 CITY WEST PKWY EDEN PRAIRIE MN, 55344 PHONE: 866-977-3901 FAX: 877-894-6918	
DRAWN BY	JN	7/20/2016	DESCRIPTION		
ENG APPROVAL			SMALL UNIVERSAL TILT MOUNT		
MFG APPROVAL			MODEL NO.		
QA APPROVAL			FTR1U/FTR100		
SHEET 1 OF 2		SCALE 1:2	SIZE B	DWG. NO. TECH-000800	REV. 01



THE INFORMATION AND DESIGNS CONTAINED IN THIS DRAWING ARE CONFIDENTIAL AND THE PROPRIETARY PROPERTY OF MILESTONE AV TECHNOLOGIES NEITHER THIS DESIGN NOR ANY INFORMATION CONTAINED IN THIS DRAWING MAY BE REPRODUCED OR DISCLOSED TO OTHERS WITHOUT THE EXPRESS WRITTEN CONSENT OF MILESTONE AV TECHNOLOGIES.

CAD GENERATED DRAWING, DO NOT MANUALLY UPDATE.			6436 CITY WEST PKWY EDEN PRAIRIE MN, 55344 PHONE: 866-977-3901 FAX: 877-894-6918
DRAWN BY	JN	7/20/2016	
ENG APPROVAL			DESCRIPTION
MFG APPROVAL			SMALL UNIVERSAL TILT MOUNT
QA APPROVAL			MODEL NO.
SHEET 2 OF 2			FTR1U/FTR100
SCALE	2:3	SIZE	DWG. NO.
		B	TECH-000800
			REV.
			01