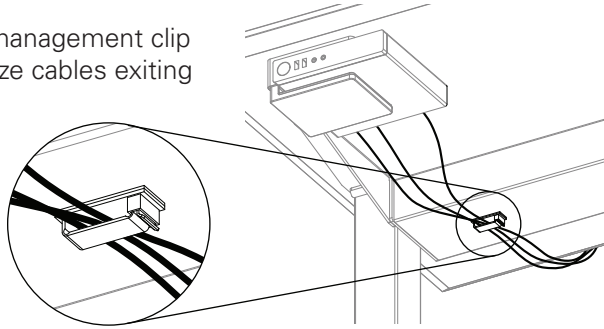


STEP 6:

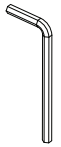
If needed, the cable management clip can be used to organize cables exiting the thin client.



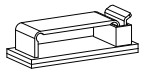
Thin Client Holder

INSTALLATION INSTRUCTIONS

Included Hardware



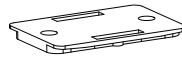
5mm Hex Key



Cable Management Clip

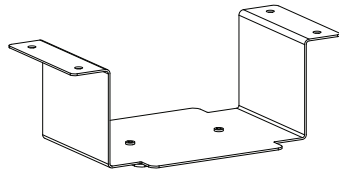


Surface Mounting Screws

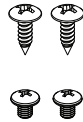


Mounting Cleat

Beam Mount Kit (optional)

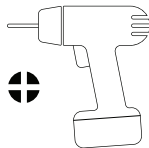


Beam Bracket



Beam Mounting Screws

Tools Required

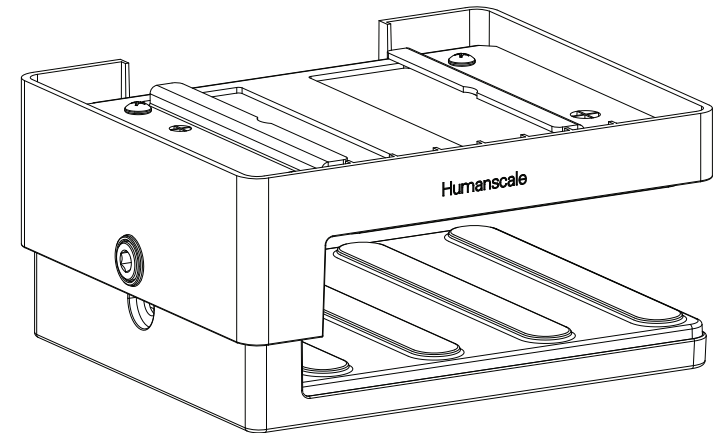


Drill with Phillips Head Driver Bit

www.humanscale.com

For our terms and conditions please go to <https://www.humanscale.com/about/legal-information/terms-conditions.cfm>

© 2020 Humanscale Corporation. The text and artwork are copyrighted materials. All rights reserved. The Humanscale mark and logo are trademarks of Humanscale Corporation and are registered in the United States and certain other countries.



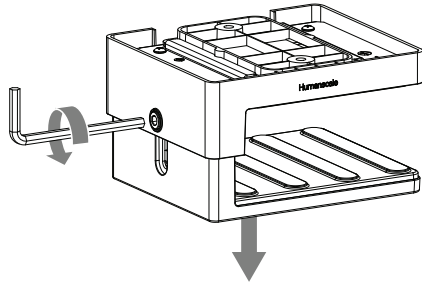
HSIMTC0120

North America: +1 800-400-0625
Europe: +353 (0)1 858 0910
Asia Pacific: +852 2581 0570

Humanscale®

STEP 1:

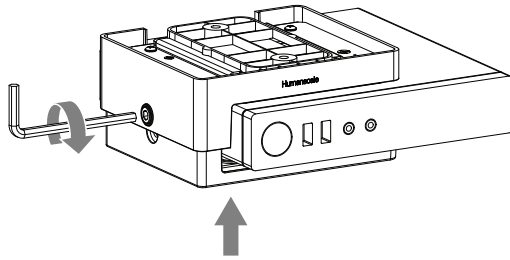
Using the included 5mm hex key, loosen the adjustment screw to pull the two halves apart.



STEP 2:

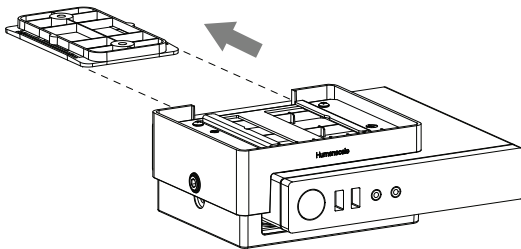
Insert your thin client into the holder with the front facing the same side as the Humanscale logo.

Squeeze the two halves of the holder together and re-tighten the adjustment screw.



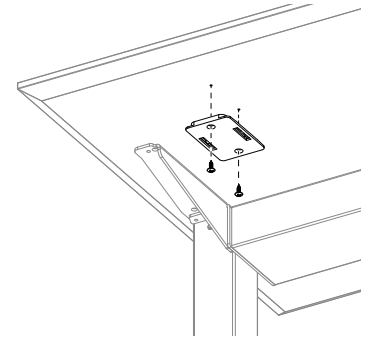
STEP 3:

Remove the mounting cleat from the thin client holder.



STEP 4 (If using Surface Mount):

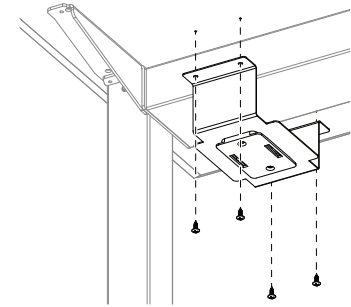
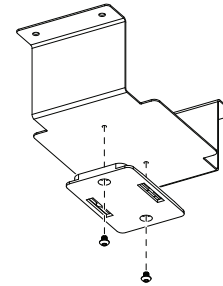
Using the included screws, attach the mounting cleat under the desk in the desired location. Ensure that there is enough clearance on all sides for the thin client and holder.



STEP 4 (If using Beam Mount):

Using the two M5 screws, attach the mounting cleat to the beam bracket.

Then, using the 4 mounting screws, attach the beam bracket under the desk in the desired location. Ensure that there is enough clearance on all sides for the thin client and holder.



STEP 5:

Slide the thin client and holder onto the mounting cleat until it clicks into place.

