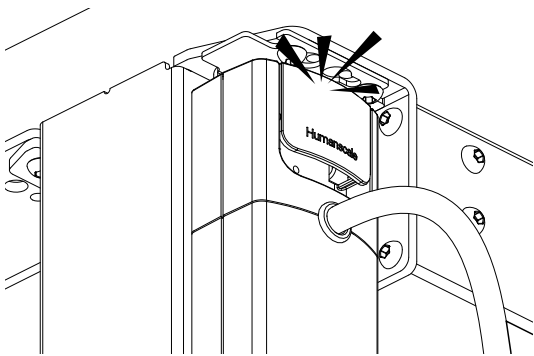
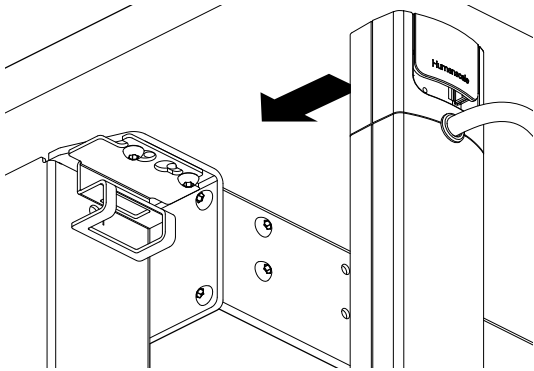
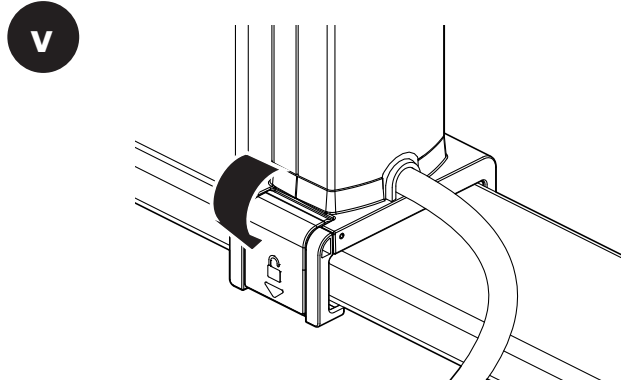
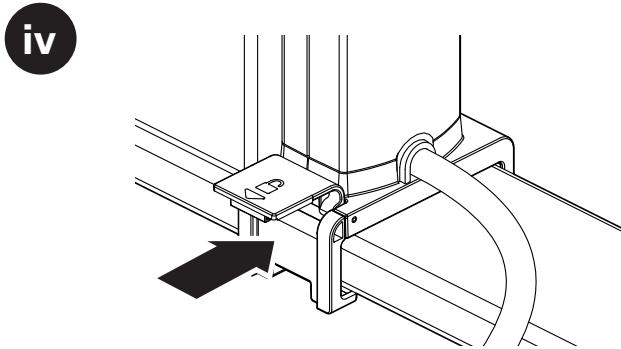
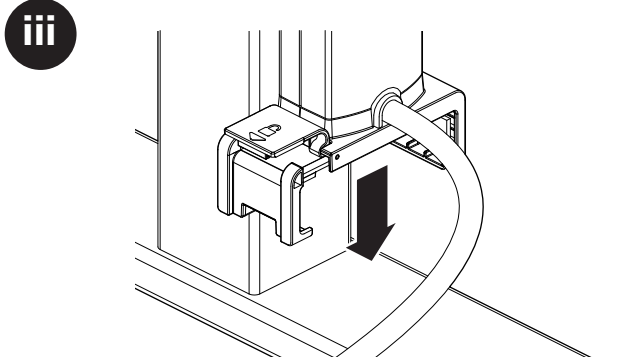
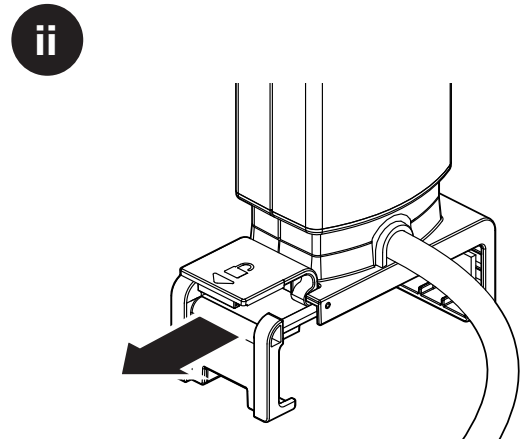
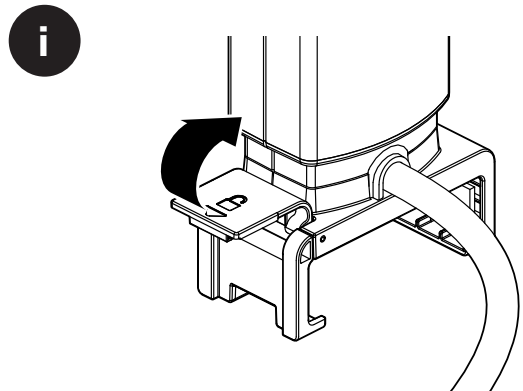


2. ATTACH NEATUP TO MOUNTING BRACKET

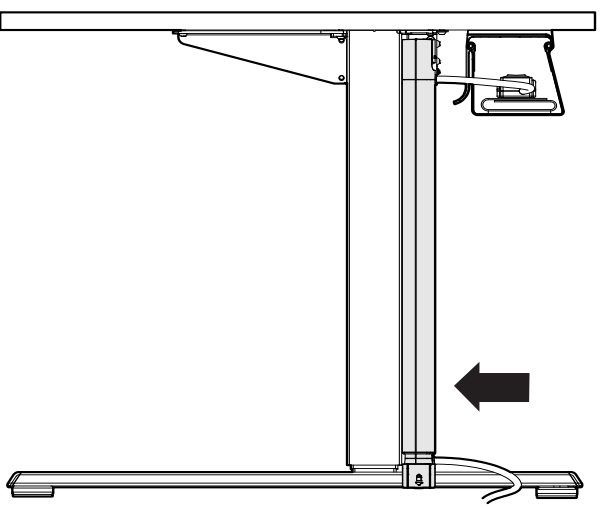


NOTE: Ensure the housing is securely locked in place.

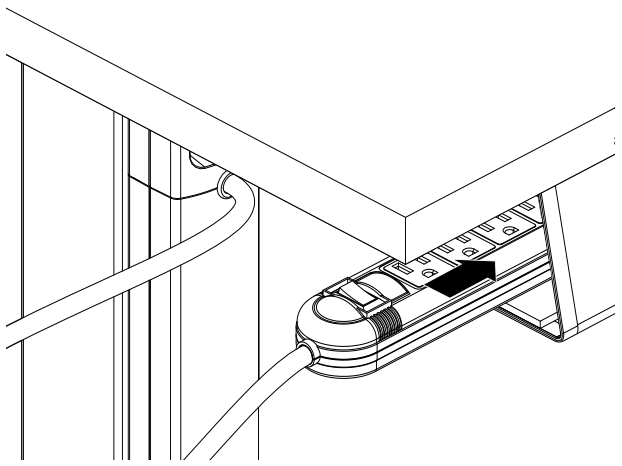
3. ATTACH NEATUP TO TABLE'S FOOT



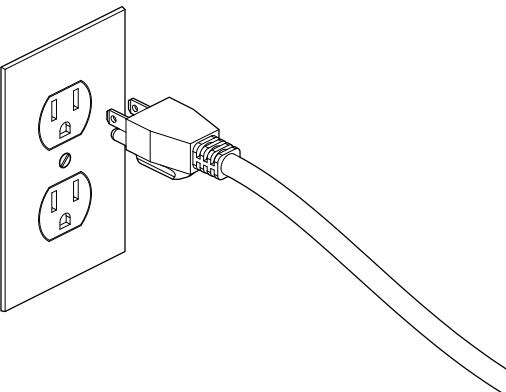
4. VERTICALLY ALIGN NEATUP WITH TABLE LEG



5. CONNECT ELECTRICAL COMPONENTS

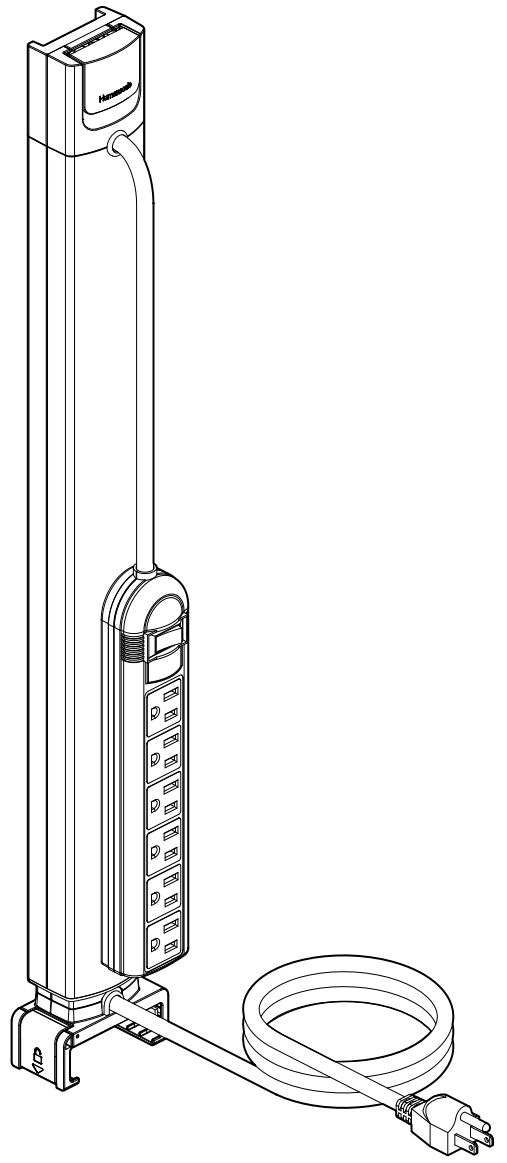
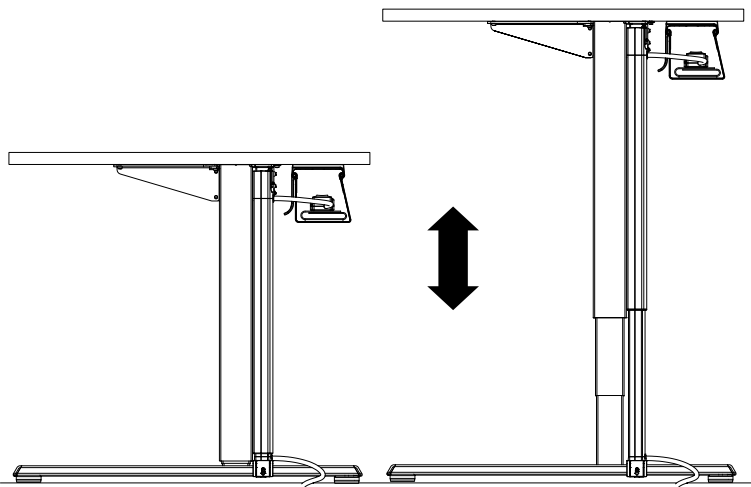


NOTE: If Humanscale's NeatTech is installed, insert powerstrip inside the NeatTech as shown above. If NeatTech is NOT installed, mount the powerstrip directly underside of the work surface.



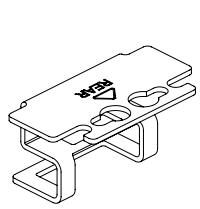
Connect wall plug to power source.

6. TEST THE SYSTEM BY MOVING TABLE UP & DOWN

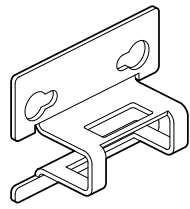


NeatUp™ Cable Management Installation Guide

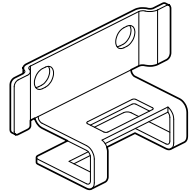
MOUNTING OPTIONS HARDWARE



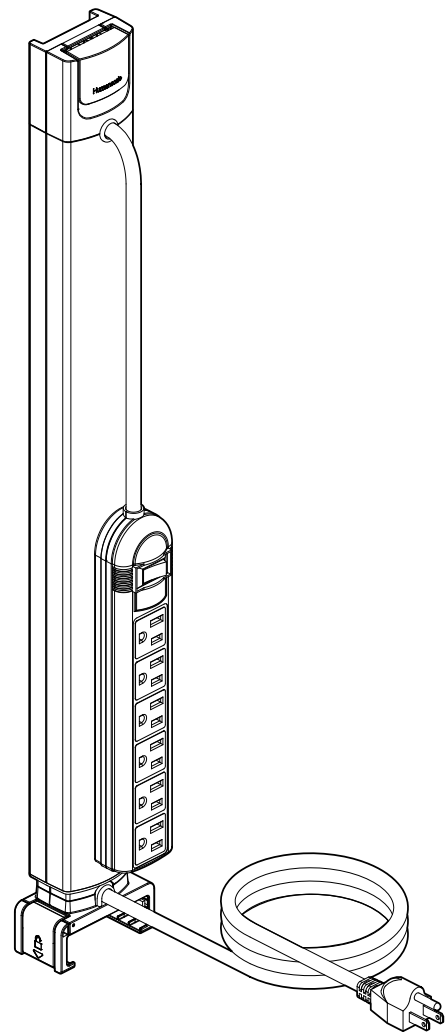
FLOAT TABLE BRACKET



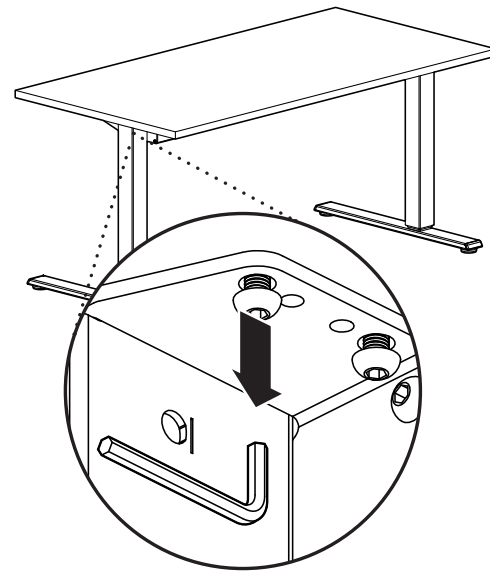
eFLOAT FLEX TABLE BRACKET  
(Compatible with single stage only)



eFLOAT LITE TABLE BRACKET  
(Compatible with single stage only)

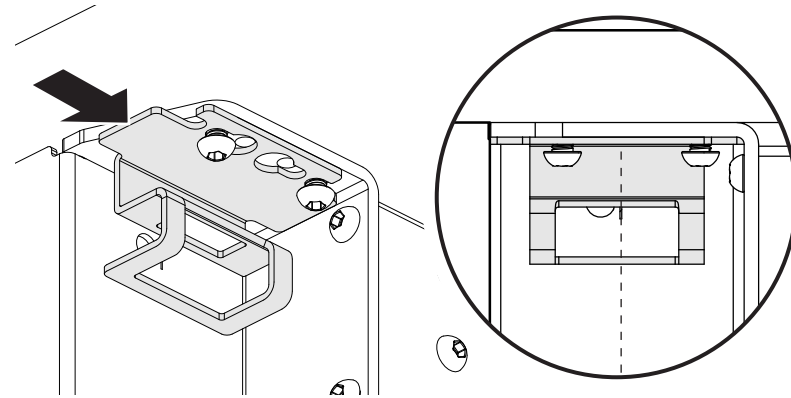


1. BRACKET INSTALLATION | FLOAT TABLE

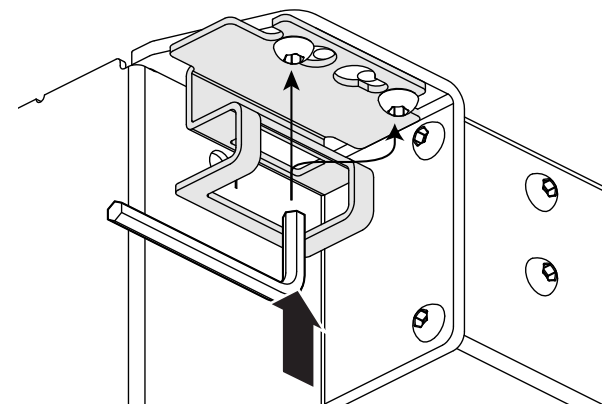


Partially loosen two screws (shown above)

**NOTE:** The NeatUp Cable Management can be installed on the rear side of either table leg.

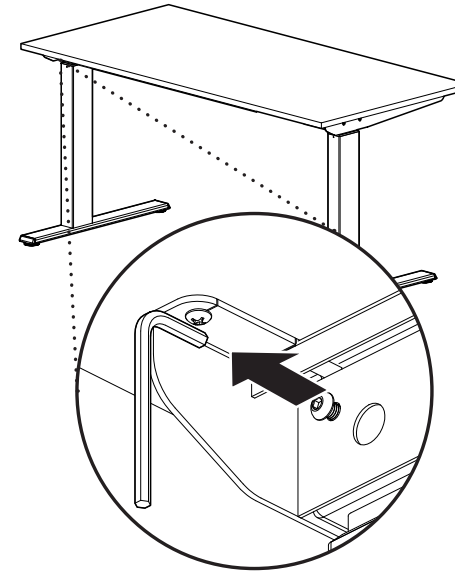


**NOTE:** Ensure the mounting bracket is centered on table's leg as shown above.



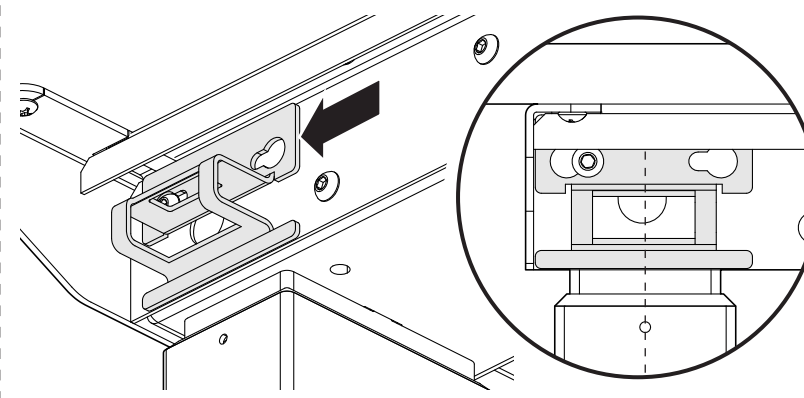
Fully tighten the two screws

1. BRACKET INSTALLATION | eFLOAT FLEX ELECTRIC TABLE

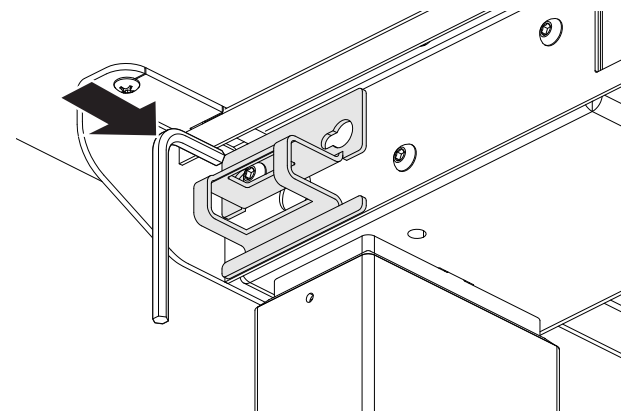


Partially loosen the screw (shown above)

**NOTE:** The NeatUp Cable Management can be installed on the rear side of either table leg.

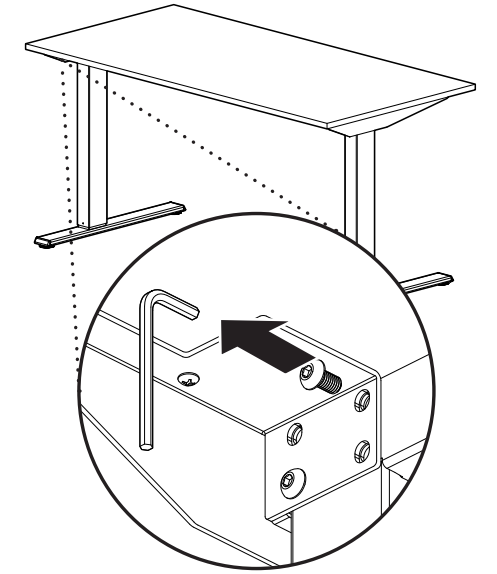


**NOTE:** Ensure the mounting bracket is centered on table's leg as shown above.



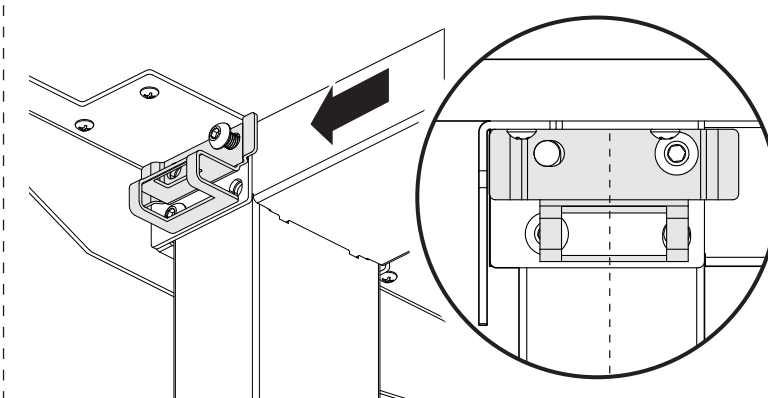
Fully tighten the screw

1. BRACKET INSTALLATION | eFLOAT LITE ELECTRIC TABLE

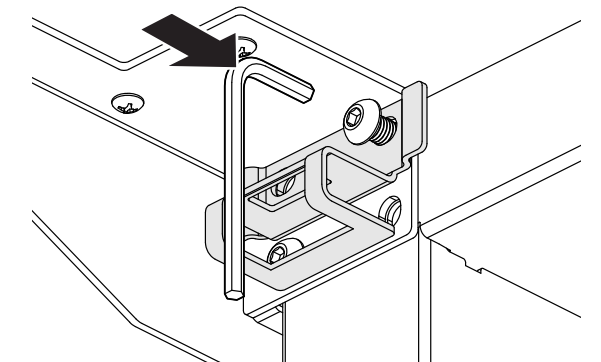


Remove the screw (shown above)

**NOTE:** The NeatUp Cable Management can be installed on the rear side of either table leg.



**NOTE:** Ensure the mounting bracket is centered on table's leg as shown above.



Fully tighten the screw