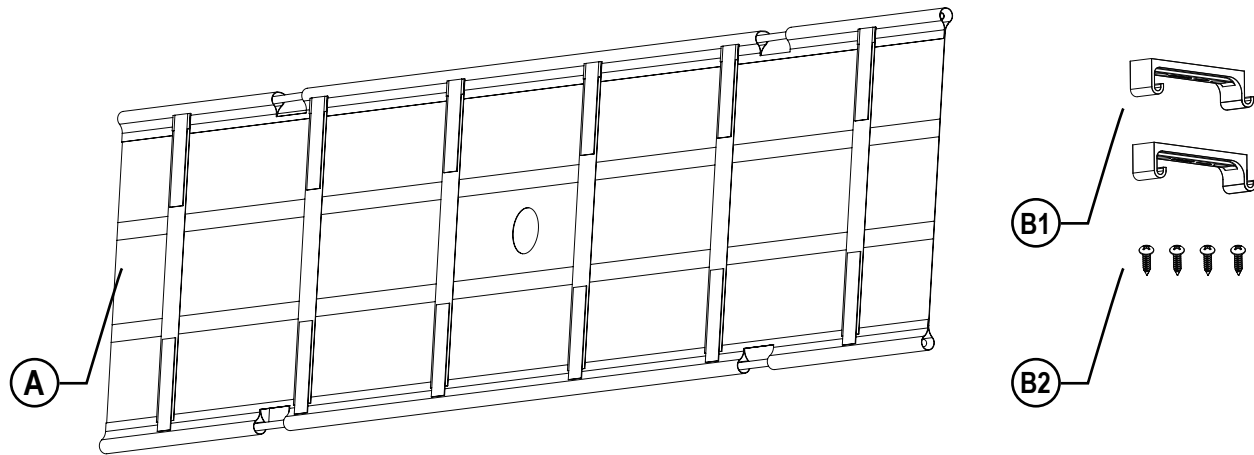
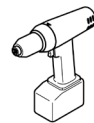


Assembly & Installation Instructions:
 Mesh Cable Trough
 ACC-WM-MTXX-G

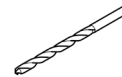


Tools Required:

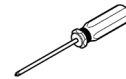
ID	Part Name	Qty
A	Mesh Trough, With Rods	1
B1	Mesh Trough, Hook	2
B2	Mesh Trough, #12 x 3/4 Pan Head Screws	4



Cordless Drill



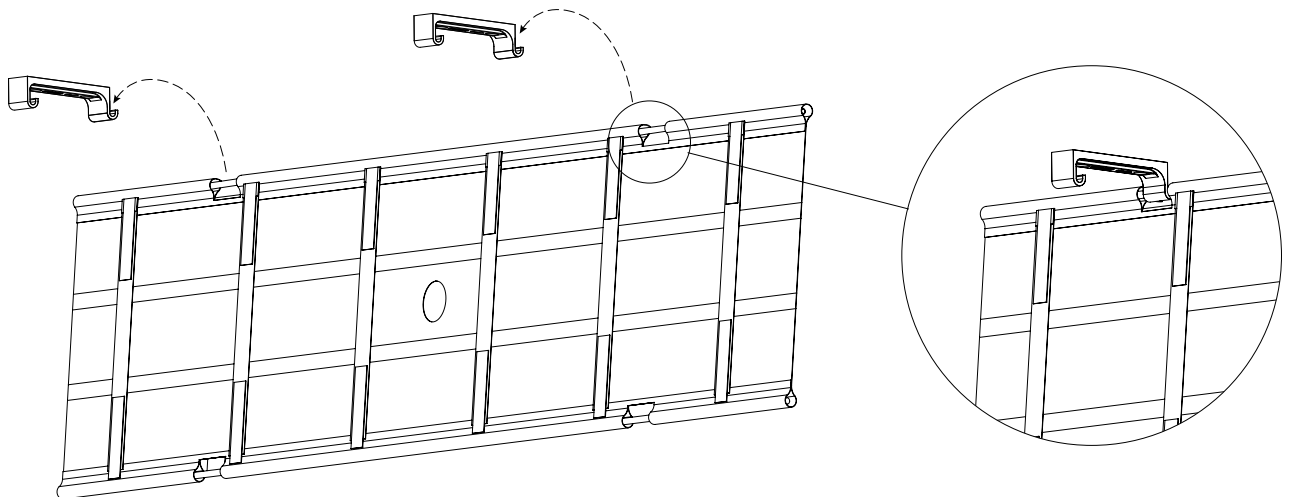
1/8" Drill Bit



#2 Phillips Bit
Screwdriver or
Driver/Drill

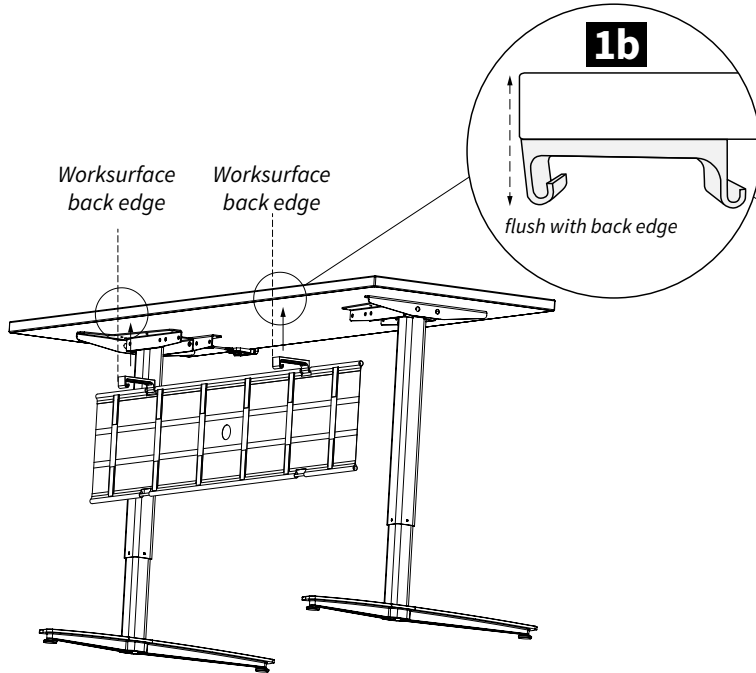
1a

Insert Aluminum Rod into user side of both hook mounts



1b

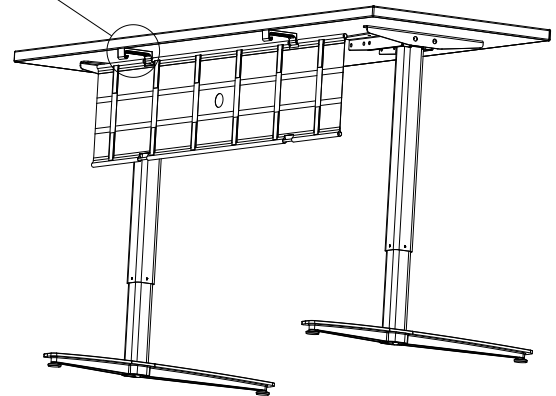
Determine mounting placement underneath the worksurface. Back of Mounting Hook should be flush with the back edge of worksurface.



1c

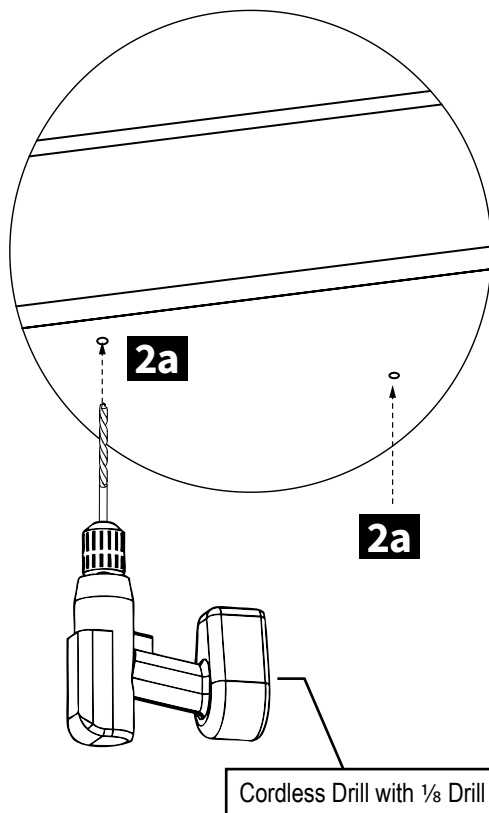
Use pen/pencil to mark the pre-drill location for the (4) screws.

Once pre-drill location is marked, remove Mesh Trough from Mounting Hooks.

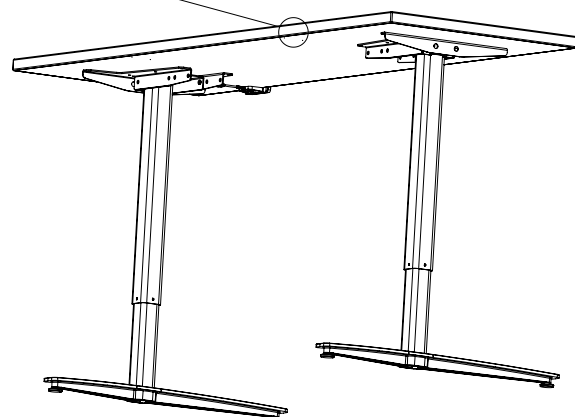


2a

Pre-drill two pilot holes per Hook using $\frac{1}{8}$ Drill bit

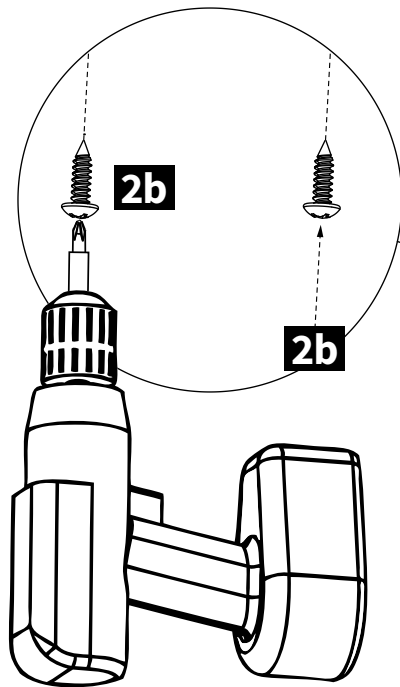


**DO NOT DRILL
DEEPER THAN $\frac{1}{2}$ "**

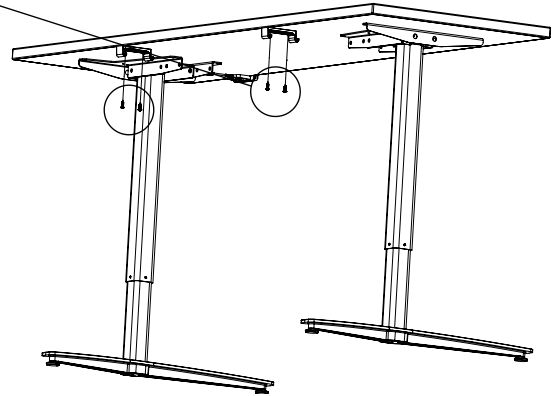
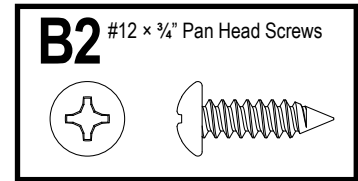


2b

Use screw driver or drill/driver to attach mounting hooks to bottom side of the worksurface with 4 (four) of #12 3/4" Pan Head Screws



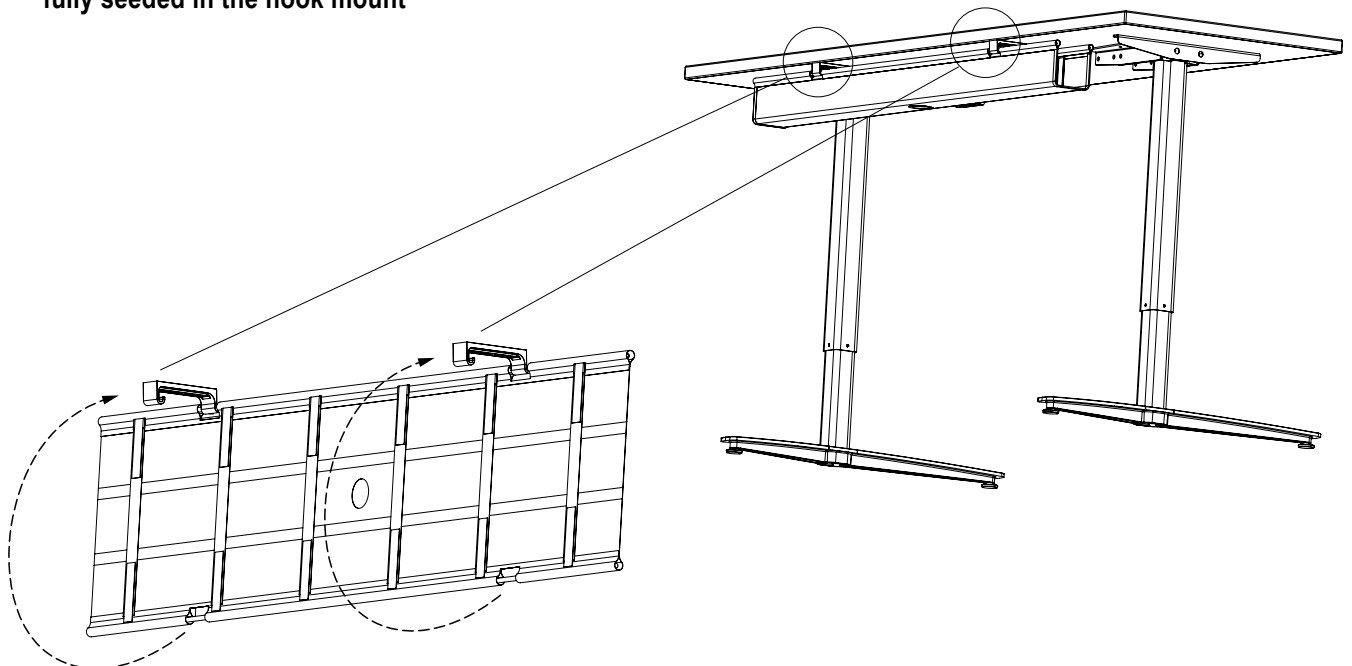
Hardware at actual size



3

Insert Mesh Trough into Hook Mounts

Insert both metal rods into the hook mounts. Metal rods should make a *click* sound once fully seeded in the hook mount



1500454 Rev A