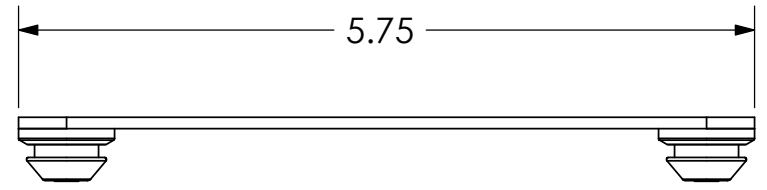


1 2 3 4 5 6 7 8

FSB-4100

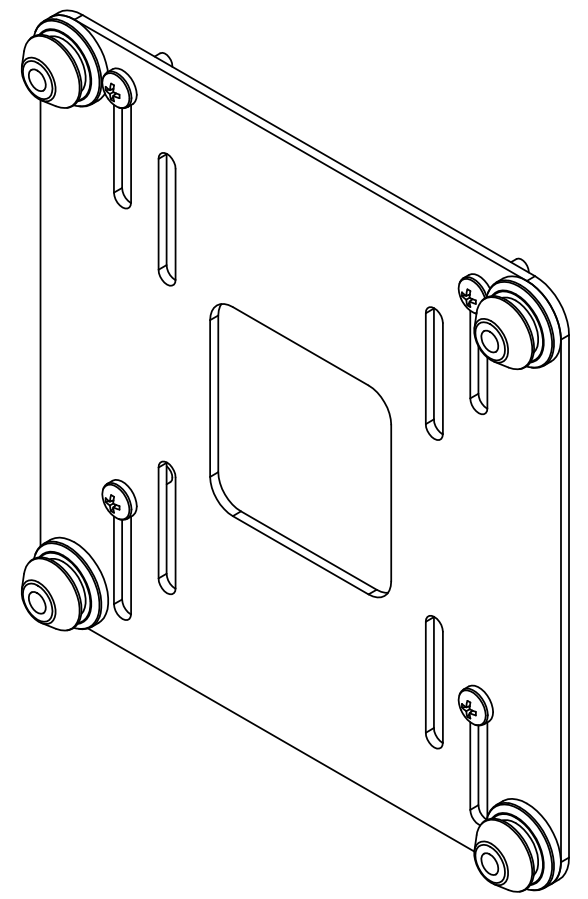
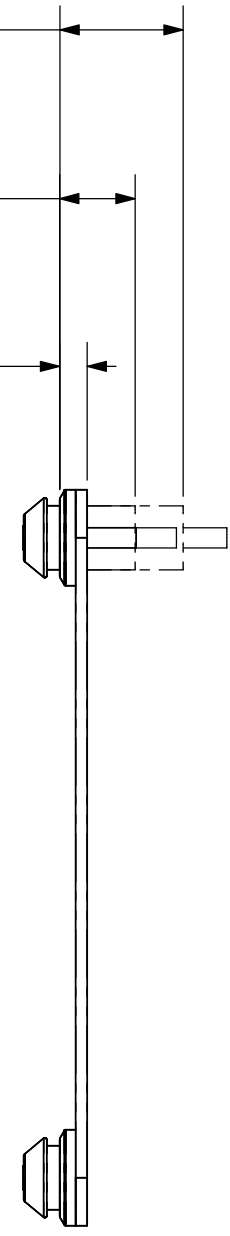
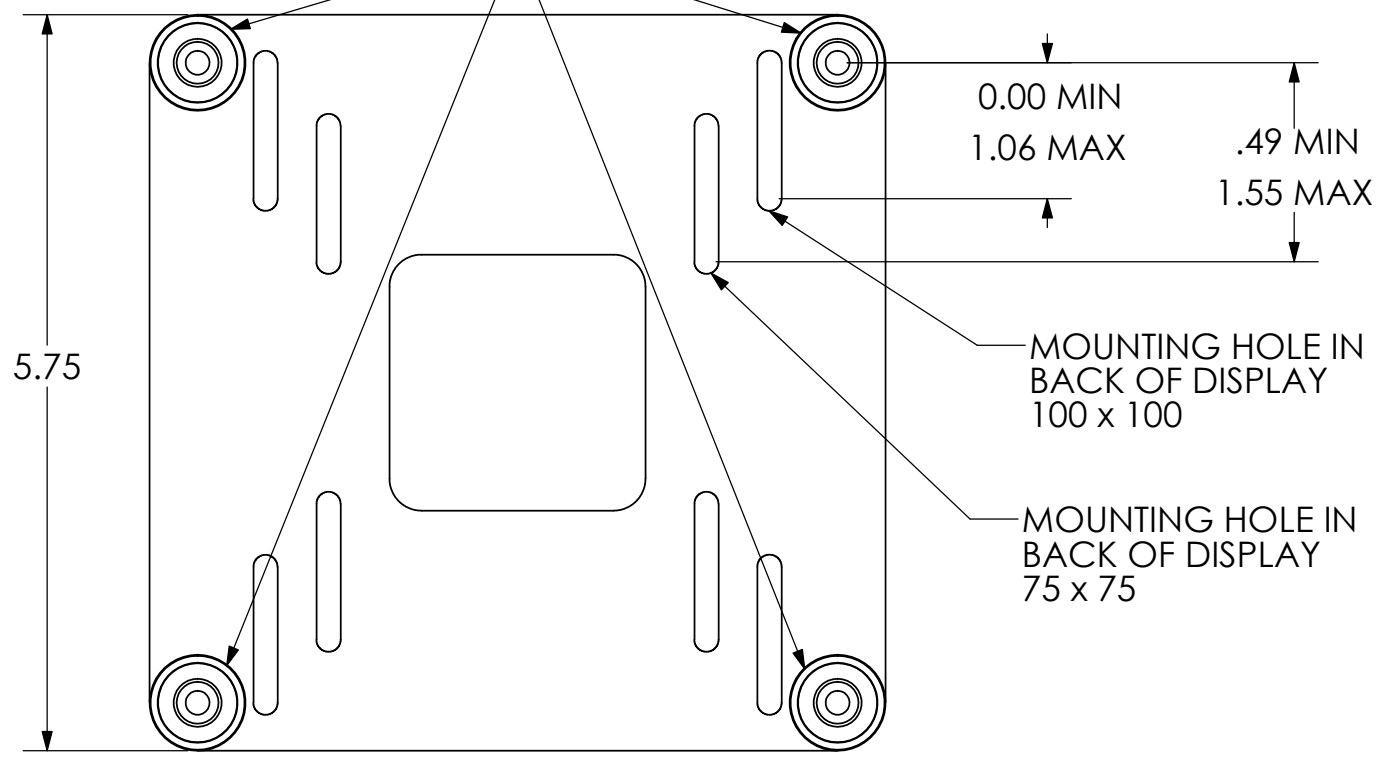


.96  
LONG SCREWS  
& SPACERS

.59  
MEDIUM SCREWS  
& SPACERS

.21  
SHORT SCREWS

MOUNTING BUTTONS FIT  
INTO SLOTS ON Q2 SERIES MOUNT



**CHIEF MANUFACTURING INC.**  
**MOUNT ORDER NUMBER IS FSB-4100**  
**PHONE: 1-800-582-6480**

SHEET SCALE = 1:1.5

THE INFORMATION AND DESIGNS CONTAINED  
 IN THIS DRAWING ARE CONFIDENTIAL AND THE  
 PROPRIETARY PROPERTY OF CHIEF MFG., INC.  
 NEITHER THIS DESIGN NOR ANY INFORMATION  
 CONTAINED IN THIS DRAWING MAY BE  
 REPRODUCED OR DISCLOSED TO OTHERS  
 WITHOUT THE EXPRESS WRITTEN CONSENT OF  
 CHIEF MFG., INC.

CHIEF	MANUFACTURING, INC.
	8401 EAGLE CREEK PKWY STE. 700, SAVAGE, MN 55378 1.800.582.6480 * FAX 1.877.894.6918
TITLE	<b>CUSTOMER PRINT FSB-4100</b>
SIZE	DWG. NO. <b>FSB-4100</b>

1 2 3 4 5 6 7 8

D  
C  
B  
A

D  
C  
B  
A