



INSTALLATION INSTRUCTIONS

FSP SERIES

SMALL FLAT PANEL DISPLAY SINGLE SCREEN POLE MOUNT Exclusive Q2™ Mounting System

Prior to assembly, unpack carton completely and verify contents.

If you are missing any of the following components, please contact Customer Service at 1-800/582-6480.

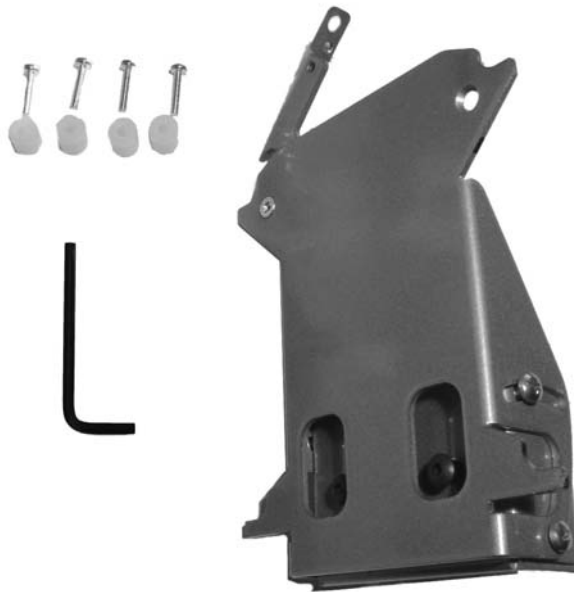


Figure 1

(1) FSP Pole-Mounting Bracket
(4) 10-24 x 1.00 Self-tapping Screws

(4) 1/2" X 1/2" Nylon Spacers
(1) 5/32" Hex Key

BEFORE PROCEEDING, READ INSTALLATION INSTRUCTIONS COMPLETELY

The FSP will fit on any 1/1/2" to 2" O.D. pipe including 1 1/2"NPT.

CAUTION!

**Flat Panel Displays are Extremely Fragile.
If Monitor Uses a Screw Size Other Than M4 X 10mm (M4 X 20mm),
DO NOT USE M4 Screws Provided. Monitor Damage Could Occur.**

Interface Bracket Installation:

1. See installation procedures accompanying your mounting bracket.

Optional Latching Flag Placement:

1. Remove Phillips head screw, Nylock nut and latching flag (see Figure 2).
2. Reposition latching flag and secure using Phillips head screw, Nylock nut.

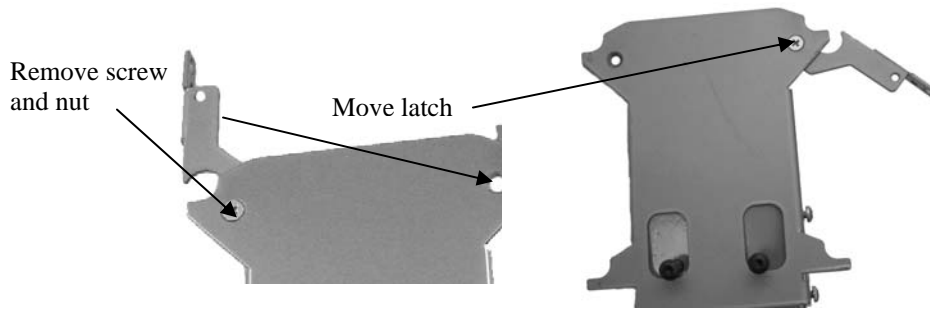


Figure 2

Pole-Mounting Bracket Assembly and Installation:

1. For vertical pole mounting, install the pole-mounting bracket on 1 ½” to 2” OD pipe/pole and secure using two screws (see Figure 3) and hex key.
2. For horizontal pole mounting; remove four tilt adjustment screws, reposition the tilt bracket as shown in Figure 4, and insert nylon spacers. Secure using 10-24 x 1.00 screws provided.

Mounting Display with Interface Bracket to Pole-Mounting Bracket:

1. Make sure the latching flag on the pole-mounting bracket is in the unlocked position (see Figure 3).
2. Place your small flat panel display; with interface bracket attached, onto the pole-mounting bracket, making sure it is securely seated.



Figure 3

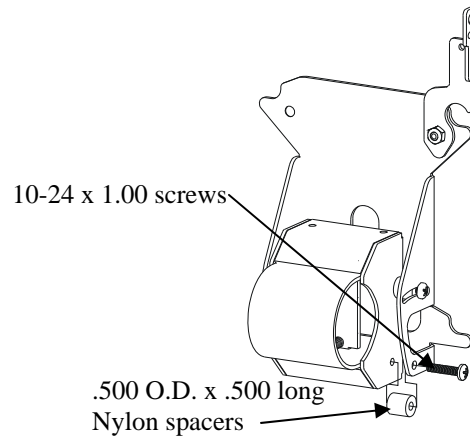


Figure 4

3. Lower pole-mounting bracket latching flag, locking small flat panel display in place (see Figure 5).
4. Adjust tilt by loosening (slightly) tilt adjustment screws (see Figure 6) on each side of pole-mounting bracket, adjust to desired angle, and tighten tilt adjustment screws.

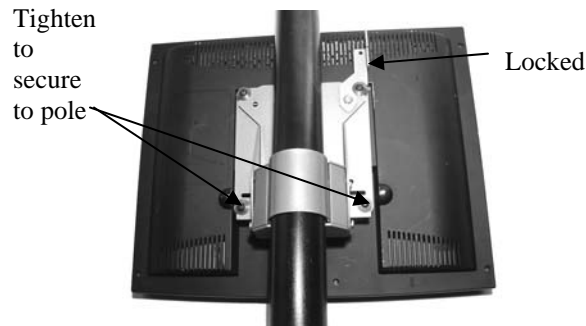


Figure 5



Figure 6