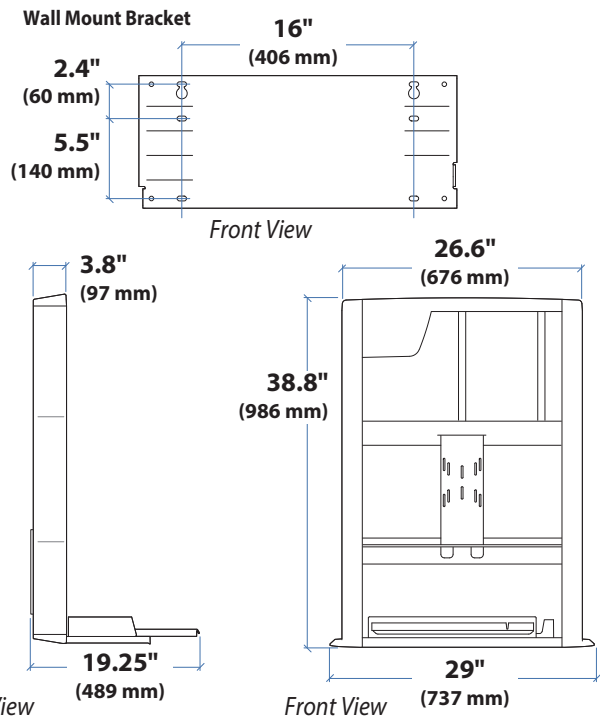
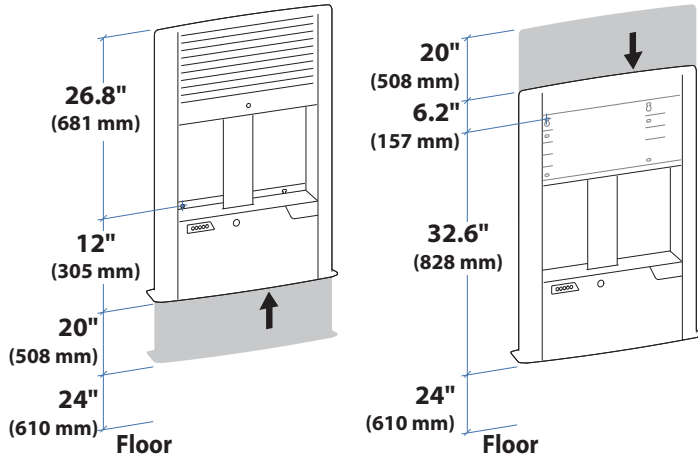
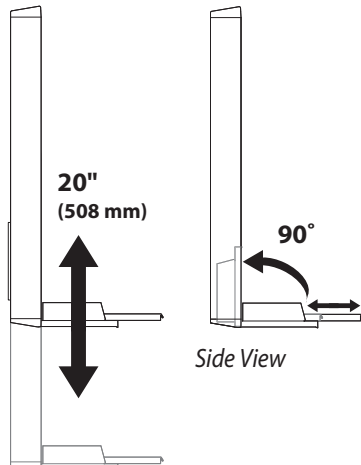
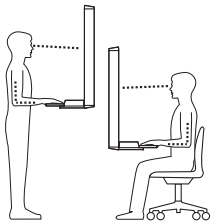


StyleView® Sit Stand Enclosure

Dimensions



Range of Motion



Side View

Weight Capacity

- A 3-10 lbs (1.4-4.5 kg)
- B 7-12.5 lbs (3.2-5.7 kg)
- C 0.5-1.5 lbs (0.2-0.7 kg)

A+B+C 12-24 lbs (5.4-10.9 kg)

Max Size

- ≤ 2.6" (66 mm)
- ≤ 11" (279 mm)
- ≤ 11" (279 mm)
- ≤ 2.5" (64 mm)
- ≤ 13.5"* (343 mm)
- ≤ 20.5"* (521 mm)

* Assumes VESA hole pattern is centered on the monitor.
* Width may be up to 21.5" (546mm) depending on the shape and size of your monitor and your cable routing.

1.25" (32 mm)
7" (178 mm) 17.8" (452 mm)

© 2013 Ergotron, Inc. rev. 01/07/2019 DIM-SVEnclosure Content is subject to change without notification

Americas Sales and Corporate Headquarters

St. Paul, MN USA
(800) 888-8458
+1-651-681-7600
www.ergotron.com
sales@ergotron.com

EMEA Sales

Amersfoort, The Netherlands
+31 33 45 45 600
www.ergotron.com
info.eu@ergotron.com

APAC Sales

Tokyo, Japan
www.ergotron.com
japansupport@ergotron.com

Worldwide OEM Sales

www.ergotron.com
info.oem@ergotron.com

