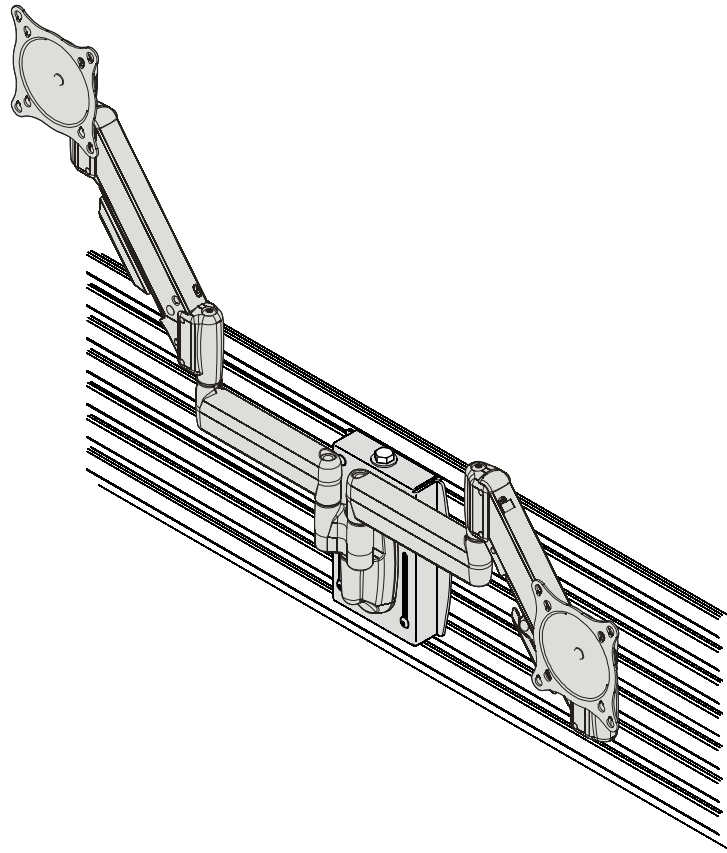

INSTALLATION INSTRUCTIONS



Universal Slat Wall Multi Arm Mount

DISCLAIMER

CSAV, Inc., and its affiliated corporations and subsidiaries (collectively, "CSAV"), intend to make this manual accurate and complete. However, CSAV makes no claim that the information contained herein covers all details, conditions or variations, nor does it provide for every possible contingency in connection with the installation or use of this product. The information contained in this document is subject to change without notice or obligation of any kind. CSAV makes no representation of warranty, expressed or implied, regarding the information contained herein. CSAV assumes no responsibility for accuracy, completeness or sufficiency of the information contained in this document.

! IMPORTANT WARNINGS AND CAUTIONS!

! WARNING: A WARNING alerts you to the possibility of serious injury or death if you do not follow the instructions.

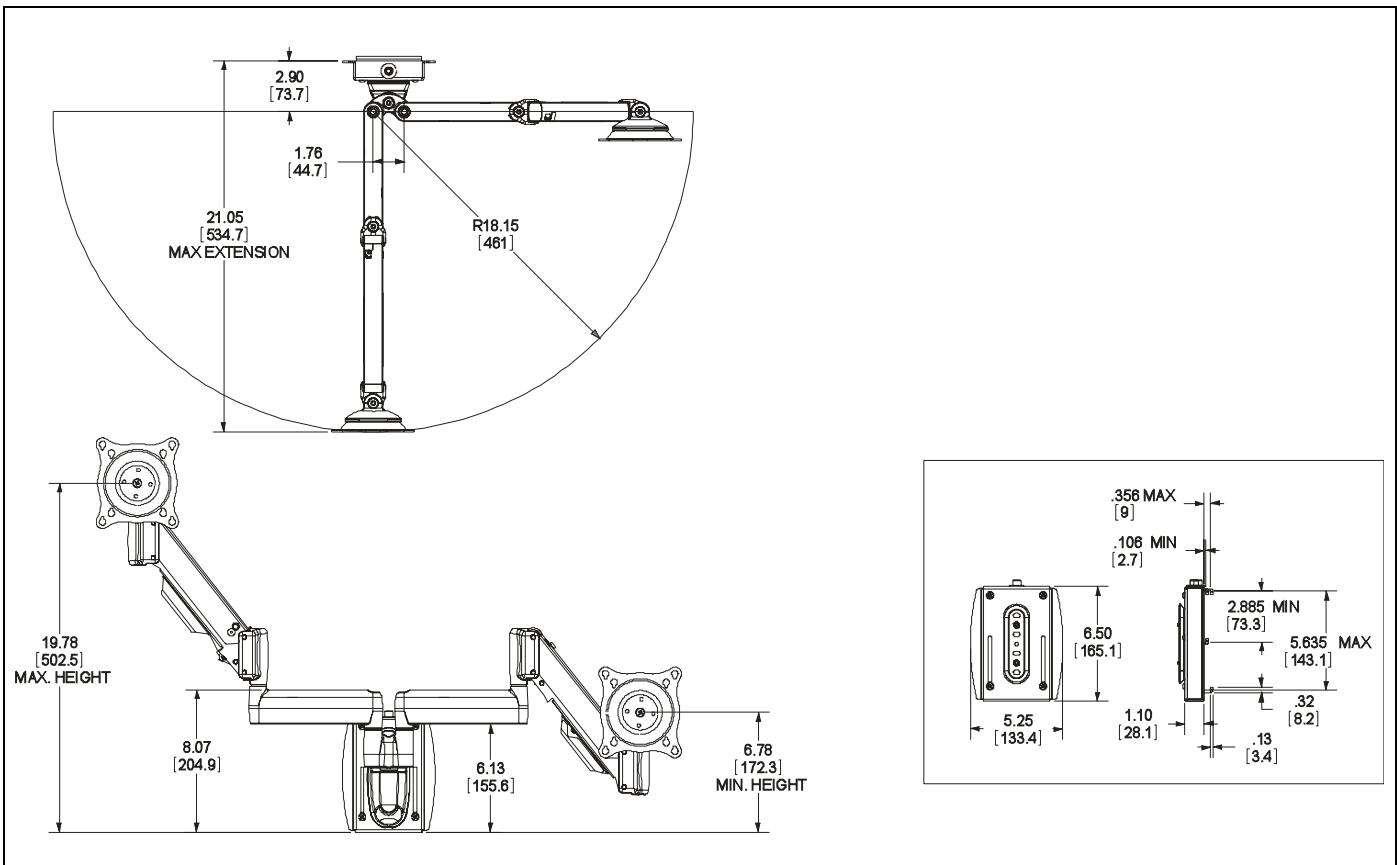
! CAUTION: A CAUTION alerts you to the possibility of damage or destruction of equipment if you do not follow the corresponding instructions.

! WARNING: Failure to read, thoroughly understand, and follow all instructions can result in serious personal injury, damage to equipment, or voiding of factory warranty! It is the installer's responsibility to make sure all components are properly assembled and installed using the instructions provided.

! WARNING: Failure to provide adequate structural strength for this component can result in serious personal injury or damage to equipment! It is the installer's responsibility to make sure the structure to which this component is attached can support five times the combined weight of all equipment. Reinforce the structure as required before installing the component.

! WARNING: Exceeding the weight capacity can result in serious personal injury or damage to equipment! It is the installer's responsibility to make sure the combined weight of all components located between the supporting structure and mount does not exceed 40 lbs (18.14 kg).

DIMENSIONS

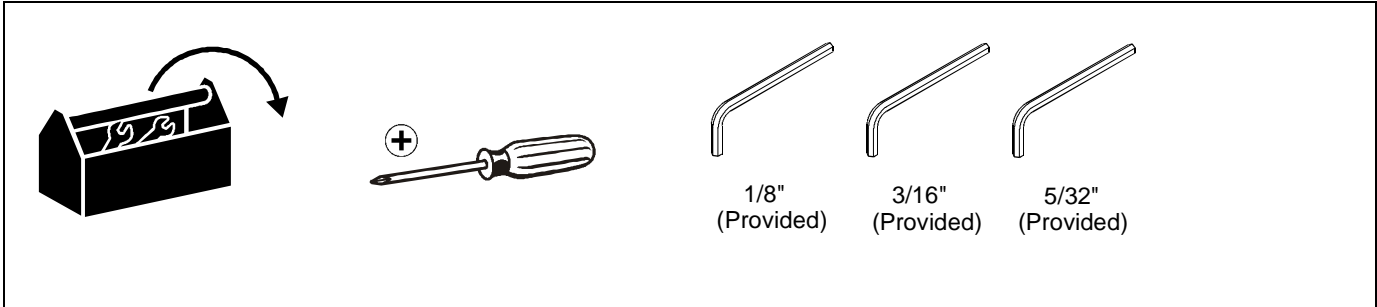


LEGEND

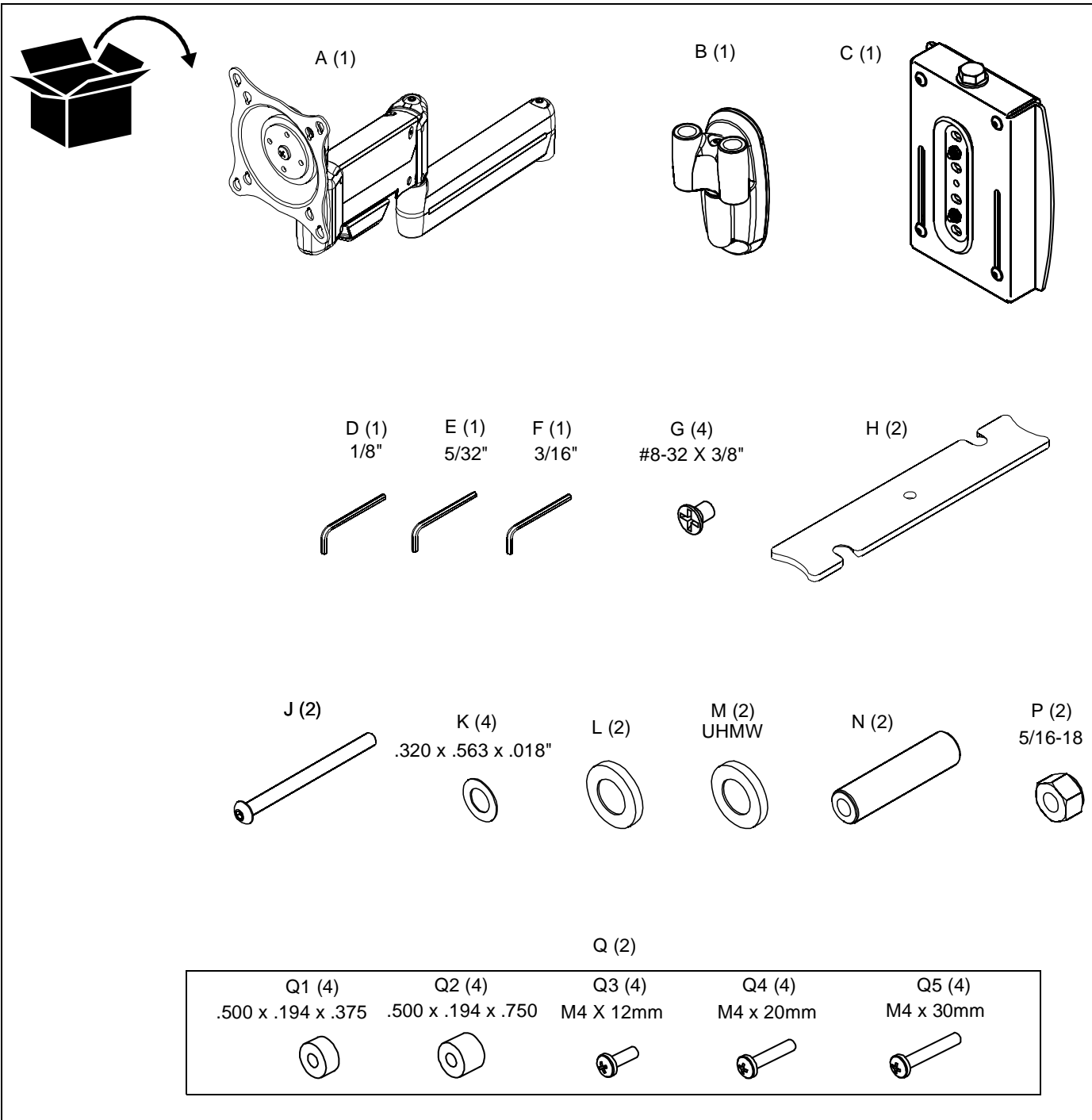
	Tighten Fastener
	Apretar elemento de fijación
	Befestigungsteil festziehen
	Apertar fixador
	Serrare il fissaggio
	Bevestiging vastdraaien
	Serrez les fixations
	Loosen Fastener
	Aflojar elemento de fijación
	Befestigungsteil lösen
	Desapertar fixador
	Allentare il fissaggio
	Bevestiging losdraaien
	Desserrez les fixations
	Phillips Screwdriver
	Destornillador Phillips
	Kreuzschlitzschraubendreher
	Chave de fendas Phillips
	Cacciavite a stella
	Kruiskopschroevendraaier
	Tournevis à pointe cruciforme
	Open-Ended Wrench
	Llave de boca
	Gabelschlüssel
	Chave de bocas
	Chiave a punte aperte
	Steeksleutel
	Clé à fourche
	By Hand
	A mano
	Von Hand
	Com a mão
	A mano
	Met de hand
	À la main
	Hex-Head Wrench
	Llave de cabeza hexagonal
	Sechskantschlüssel
	Chave de cabeça sextavada
	Chiave esagonale
	Zeskantsleutel
	Clé à tête hexagonale

	Pencil Mark
	Marcar con lápiz
	Stiftmarkierung
	Marcar com lápis
	Segno a matita
	Potloodmerkten
	Marquage au crayon
	Drill Hole
	Perforar
	Bohrloch
	Fazer furo
	Praticare un foro
	Gat boren
	Percez un trou
	Adjust
	Ajustar
	Einstellen
	Ajustar
	Regolare
	Afstellen
	Ajuster
	Remove
	Quitar
	Entfernen
	Remover
	Rimuovere
	Verwijderen
	Retirez
	Optional
	Opcional
	Optional
	Opcional
	Opzionale
	Optie
	En option
	Security Wrench
	Llave de seguridad
	Sicherheitsschlüssel
	Chave de segurança
	Chiave di sicurezza
	Veiligheidssleutel
	Clé de sécurité

TOOLS REQUIRED FOR INSTALLATION



PARTS



INSTALLATION



WARNING: FAILURE TO PROVIDE ADEQUATE STRUCTURAL STRENGTH FOR THIS COMPONENT CAN RESULT IN SERIOUS PERSONAL INJURY OR DAMAGE TO EQUIPMENT! It is the installer's responsibility to make sure the structure to which this component is attached can support five times the combined weight of all equipment. Reinforce the structure as required before installing the component.

OFBU and Wall Plate Installation

1. Install OFBU (C) following the instructions provided with the OFBU (C).

IMPORTANT ! : If the display being installed has a recessed mounting surface, the display must be assembled to the mount prior to mount installation. See *Display Installation* in this document before proceeding.

2. Insert top of wall plate (B) over lip on top of OFBU bracket (C). (See Figure 1)

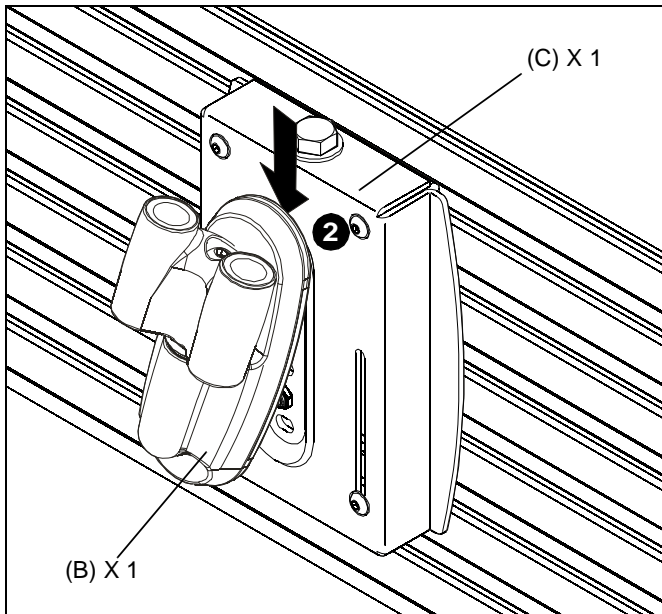


Figure 1

3. Swing wall plate (B) downward until flush against OFBU bracket (C). (See Figure 2)

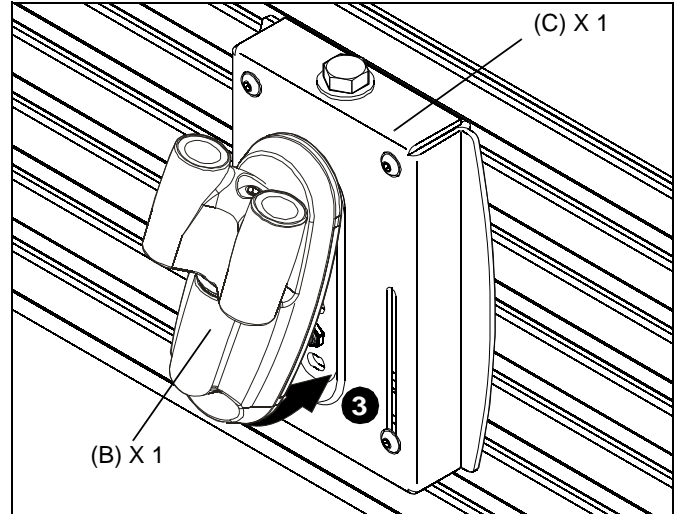


Figure 2

4. Tighten set screw using 5/32" hex key (E). (See Figure 3)



CAUTION: IMPROPER INSTALLATION CAN LEAD TO DISPLAY FALLING CAUSING SERIOUS PERSONAL INJURY OR DAMAGE TO EQUIPMENT! Make sure set screw engages back side of mounting dish on OFBU bracket (C). (See Figure 3)

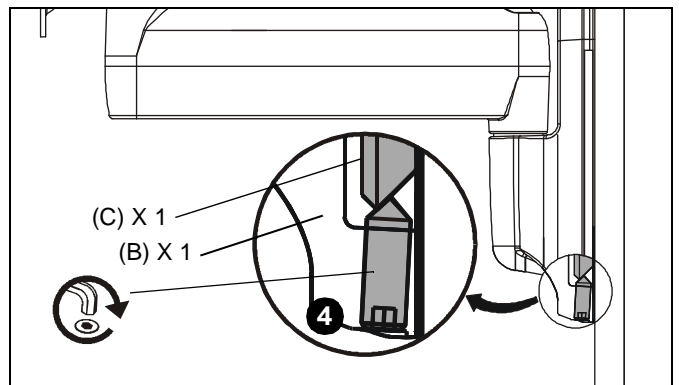


Figure 3

Swing Arm Installation

1. Insert pivot pin (N) into Y-connector upper bore.
2. Install spacer (L). (See Figure 4)
3. Insert arm assembly (A) on pivot pin (N).
4. While holding nut (P) in lower bore of Y-connector, insert screw (J) through washers (K), UHMW washer (M), arm assembly (A), spacer (L) and Y-connector, into nut (P). (See Figure 4)
5. Loosely install screw (J) using 3/16" hex key (F).
6. Repeat Steps 1. through 5. for second mount arm assembly (A).

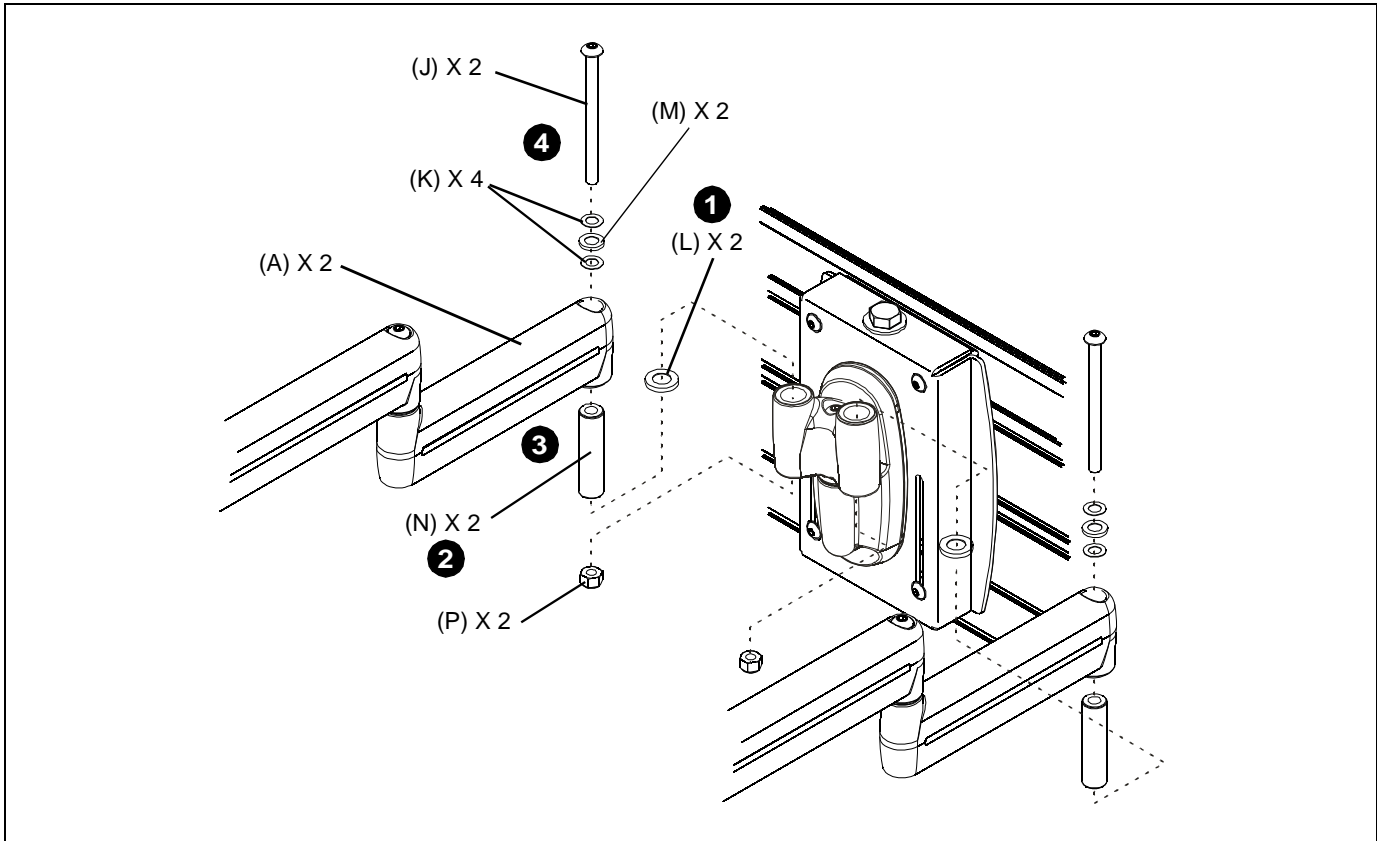


Figure 4

Display Installation

The mounting holes on the back of the display will be *flush with* the back surface, or *recessed into* the back. Refer to the applicable installation procedure below.

Flush Mount Display Installation



CAUTION: IMPROPER INSTALLATION CAN LEAD TO DISPLAY FALLING CAUSING SERIOUS PERSONAL INJURY OR DAMAGE TO EQUIPMENT! Using screws of improper size may damage your display! Proper screws will easily and completely thread into display mounting holes.



CAUTION: IMPROPER INSTALLATION CAN LEAD TO DISPLAY FALLING CAUSING SERIOUS PERSONAL INJURY OR DAMAGE TO EQUIPMENT! Inadequate thread engagement in display may cause display to fall! Back out screws ONLY as necessary to allow installation of Centris bracket!

1. Ensure Centris cup is able to swivel and tilt easily, yet still be tight enough to hold display in desired position. Adjust as required before proceeding. See "ADJUSTMENT" for detail.
2. Using Phillips screwdriver, carefully install two screws (Q3) into the *upper* mounting holes on the display. Thread screws completely into display, then back out 3 complete turns.
3. Align two screws (Q3) (installed on the back of the display

in the previous step) with the two top teardrop mounting holes on the Centris cup.



CAUTION: IMPROPER INSTALLATION CAN LEAD TO DISPLAY FALLING CAUSING SERIOUS PERSONAL INJURY OR DAMAGE TO EQUIPMENT! Smaller area of teardrop mounting holes must be facing downward for proper installation. Reposition Centris cup if required.

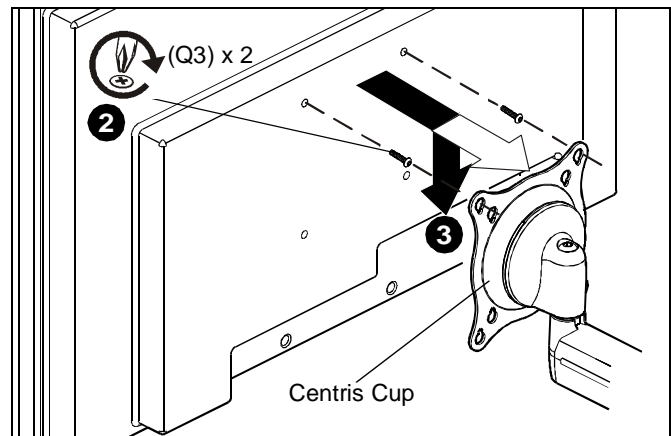


Figure 5

4. Using Phillips screwdriver, install two screws (Q3) through the *lower* mounting holes in Centris cup into the display.
5. Tighten all screws (Q3). Do not overtighten!

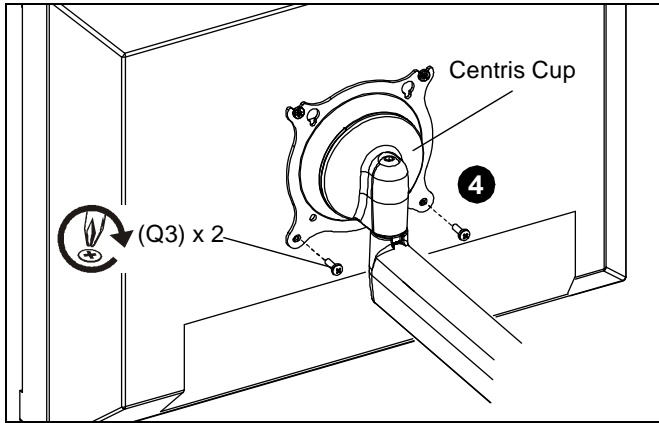


Figure 6

6. Repeat display installation procedures for second display.
7. Proceed to "CABLE MANAGEMENT."

Recessed Mount Display Installation

1. Ensure Centris bracket is able to swivel and tilt easily, yet still be tight enough to hold display in desired position. Adjust as required before proceeding. See "ADJUSTMENT" for detail.
2. Carefully place display face down on a clean and dry surface.
3. Determine depth of recessed mounting holes relative to back surface of display.
4. Select proper length spacer and screw from table below:

IMPORTANT ! : All spacers used should be the same length. If the recess depths result in multiple spacer lengths, then select the longer spacer.

IF recess DEPTH is:	THEN use spacer:	AND screw:
3/8" or less	Q1 (3/8" long)	Q4 (M4 x 20mm)
More than 3/8" up to and including 3/4"	Q2 (3/4" long)	Q5 (M4 x 30mm)

5. Place the four spacers (Q1 or Q2) over each mounting hole on the back of display. (See Figure 7)
6. Orient mount so that mounting holes in the Centris cup are aligned with the holes in the spacers (Q1 or Q2); rotate the Centris cup as required (See Figure 7).



CAUTION: IMPROPER INSTALLATION CAN LEAD TO DISPLAY FALLING CAUSING SERIOUS PERSONAL INJURY OR DAMAGE TO EQUIPMENT! Using screws of improper size may damage your display! Proper screws will easily and completely thread into display mounting holes.

7. Using Phillips screwdriver, install four screws (Q4 or Q5) through the mounting holes in Centris cup, through the spacers (Q1 or Q2), into display (See Figure 7).
8. Tighten all four screws. Do not overtighten!
9. Return to mount installation section to continue.
10. Repeat display installation procedure for second display.

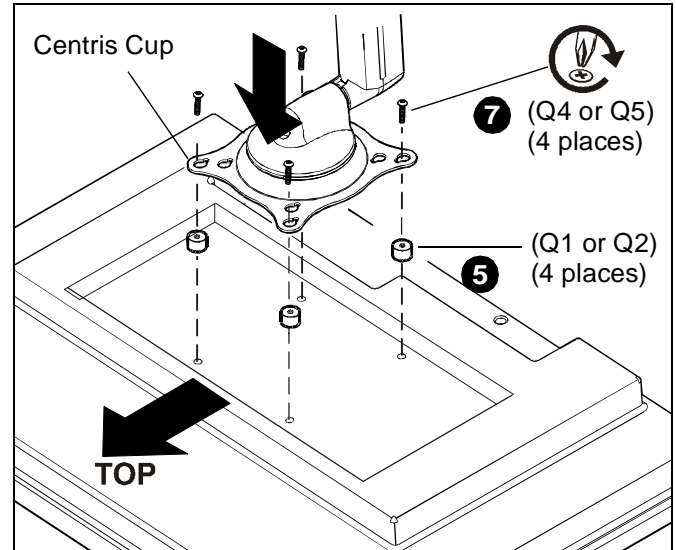


Figure 7

Cable Management

1. Attach all cables to display.
2. Open the cable management bracket by sliding it towards the edge of the arm (See Figure 8).

NOTE: If necessary, cable management bracket attach screws may be loosened using hex key.

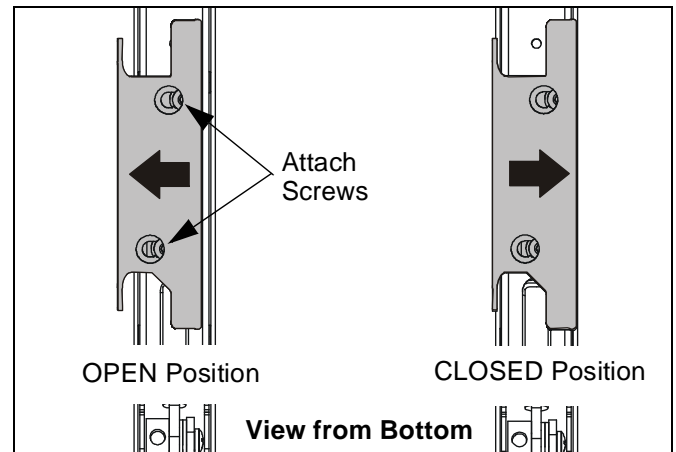


Figure 8



CAUTION: Ensure that adequate cable slack exists for movement of display, and that cables will not be pinched when bracket is closed.

3. Carefully insert cables into bracket (See Figure 9).

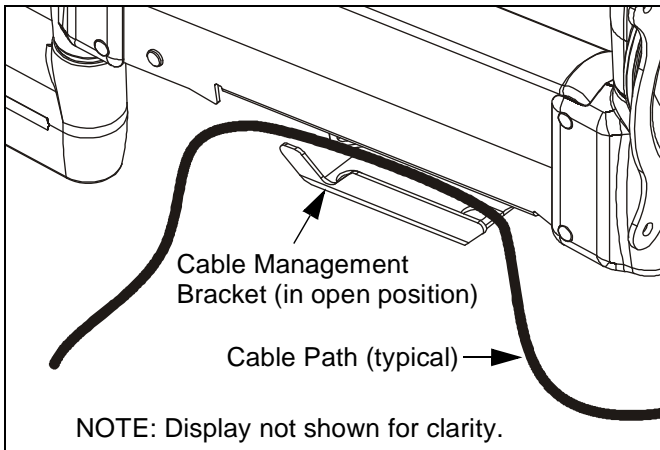


Figure 9

4. Close cable management bracket by sliding it back towards the centerline of the arm (See Figure 8).

NOTE: If necessary, cable management bracket attach screws may be tightened using hex key.



CAUTION: Ensure that adequate cable slack exists for movement of display, and that cables will not be pinched by installation of cover (H) or screws (G).

5. Carefully insert cables in cavity located in lower portion of mount arm (See Figure 10).
6. Using Phillips screwdriver, install cover (H) with two screws (G).

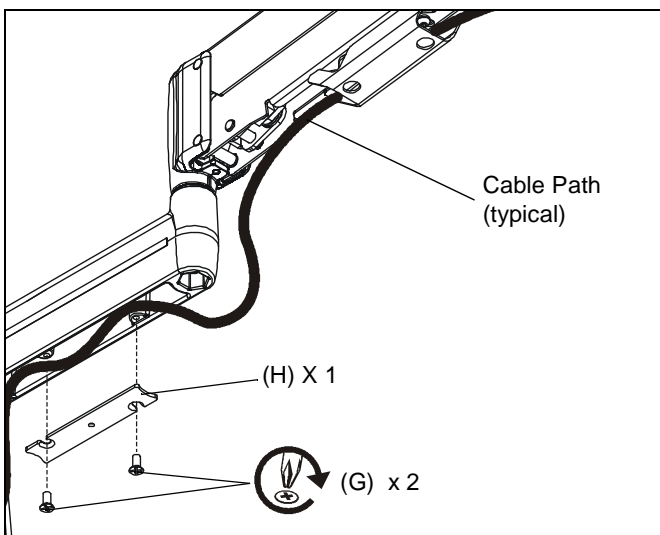


Figure 10

7. Repeat cable management procedures for second display.

Adjustments

Centris Head Tension Adjustment

1. If previously attached, disconnect cables from display, remove display.

2. Using Phillips screwdriver, slightly loosen or tighten the adjustment screw as necessary (See Figure 11).

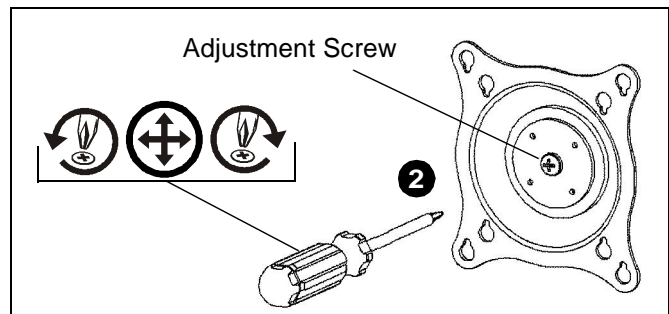


Figure 11

3. Reinstall display. See *Display Installation* in this document.

Swing Arm Tension Adjustment

1. Using 3/16" hex wrench (F), loosen or tighten adjustment screw(s) as necessary (See Figure 12).

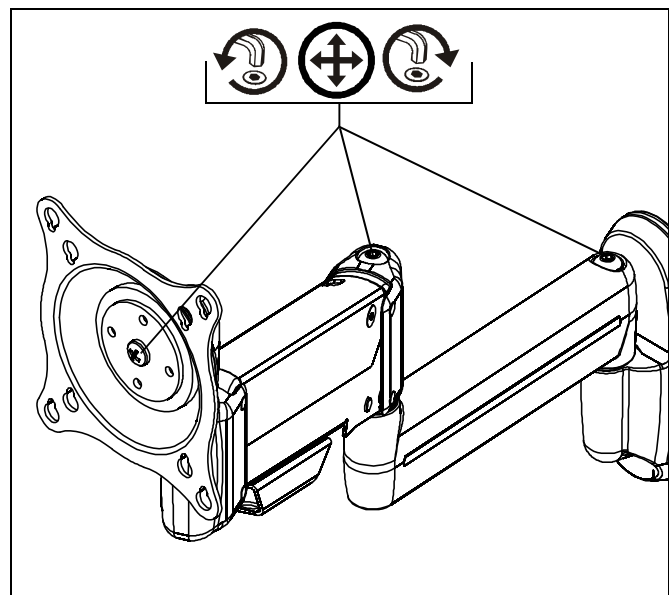


Figure 12



8832-000239 RevA
©2007 Chief Manufacturing
www.chiefmfg.com
12/07

USA/International	A 8401 Eagle Creek Parkway, Savage, MN 55378 P 800.582.6480 / 952.894.6280 F 877.894.6918 / 952.894.6918
Europe	A Fellenoord 130 5611 ZB EINDHOVEN, The Netherlands P +31 (0)40 2668620 F +31 (0)40 2668615
Asia Pacific	A Room 30I, Block D, Lily YinDu International Building LuoGang, BuJi Town, Shenzhen, CHINA. Post Code: 518112 深圳市布吉罗岗百合银都国际大厦D栋30I P +86-755-8996 9226 ; 8996 9236 ; 8996 9220 F +86-755-8996 9217