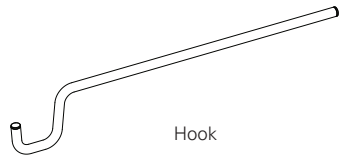
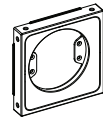


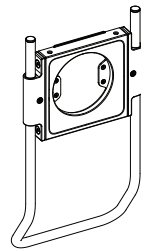
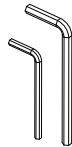
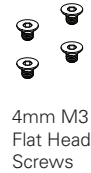
Monitor Arm Accessory Holder



Accessory Bracket Kit (optional)

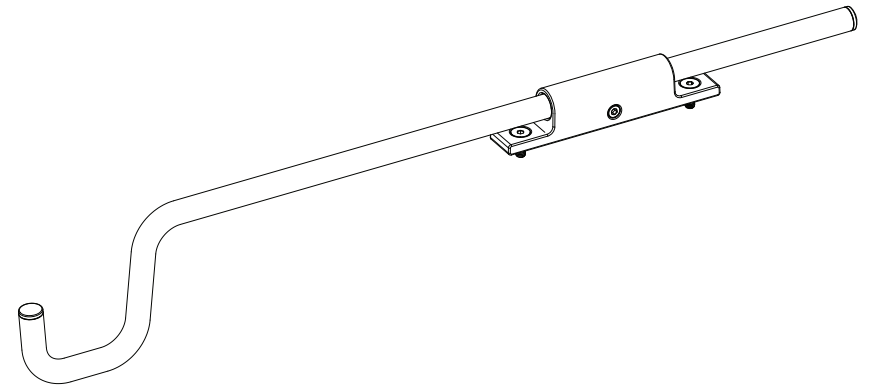


Handle Assembly Kit (optional)



Monitor Arm Accessory Holder

INSTALLATION INSTRUCTIONS



www.humanscale.com

For our terms and conditions please go to
<https://www.humanscale.com/about/legal-information/terms-conditions.cfm>

© 2020 Humanscale Corporation. The text and artwork are copyrighted materials. All rights reserved. The Humanscale mark and logo are trademarks of Humanscale Corporation and are registered in the United States and certain other countries.

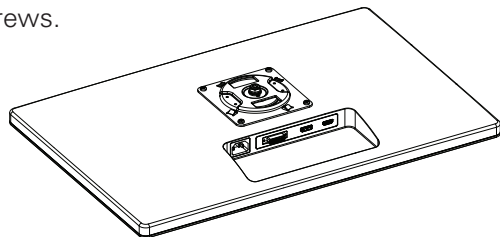
HSIMMAH0720

North America: +1 800-400-0625
Europe: +353 (0)1 858 0910
Asia Pacific: +852 2581 0570

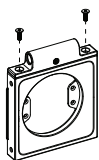
Humanscale®

INSTALLING WITHOUT HANDLE

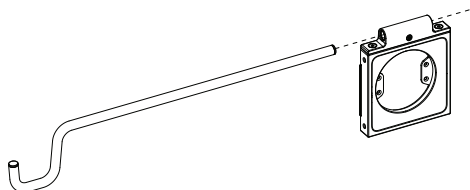
Place monitor face down and install VESA adapter. If the monitor has a recessed VESA mount, use the included spacers and longer screws.



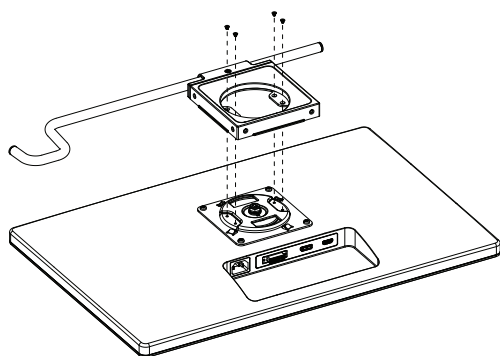
Use the 3mm hex key and 2x 14mm M5 screws to attach the hook mount to the accessory bracket.



Slide the hook into the desired position and tighten the set screw.



Use the 2mm hex key and 4x 4mm M3 screws to attach the accessory bracket to the VESA adapter.



Refer to the monitor arm instructions for mounting the monitor onto the arm.

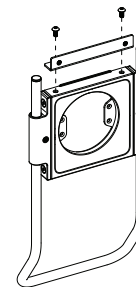
Max Load on Hook - 3lbs. (1.3kg)

Note: The weight loaded on the hook combined with the monitor weight must not exceed the arm's capacity.

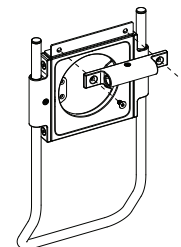
INSTALLING WITH HANDLE

Set up the monitor as seen in the previous section.

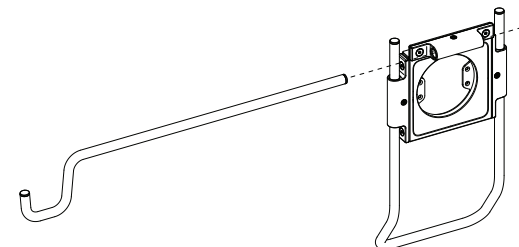
Use the 3mm hex key and 2x 10mm Cap Head M5 screws to attach the 90° adapter to the handle assembly.



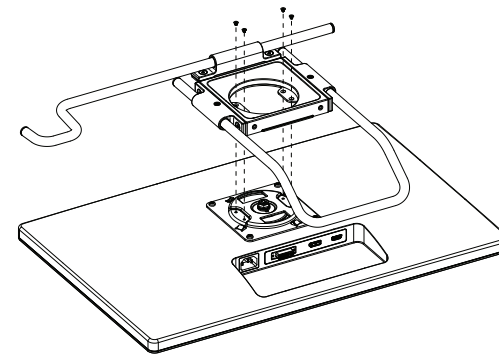
Use the 3mm hex key and 2x 10mm Flat Head M5 Screws to attach the hook mount to the 90° adapter.



Slide the hook into the desired position and tighten the set screw.



Use the 2mm hex key and 4x 4mm M3 screws to attach the accessory bracket to the VESA adapter.



Refer to the monitor arm instructions for mounting the monitor onto the arm.

Max Load on Hook - 3lbs. (1.3kg)

Note: The weight loaded on the hook combined with the monitor weight must not exceed the arm's capacity.