



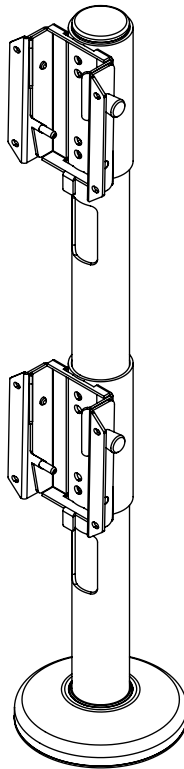
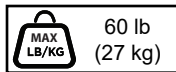
B-MIS38426

For Samsung Super Ultra Wide Curved Monitor

43": LC43J890DKNXZA

49": C49HG90DMN

49": LC49J890DKNXZA



⚠ WARNING

ENG - Before installing make sure the supporting surface will support the combined load of the equipment and hardware. Screws must be tightly secured. Do not overtighten screws or damage can occur and product may fail. Never exceed the Maximum Load Capacity. Always use an assistant or mechanical lifting equipment to safely lift and position equipment. This product is intended for indoor use only. Use of this product outdoors could lead to product failure or personal injury. Be careful not to pinch fingers when operating the mount. For support please call customer care at 1-800-865-2112.

ENG Symbols



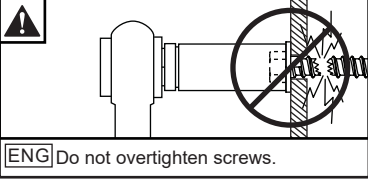
ENG WARNING



ENG Skip to step.



ENG Screws must get at least three full turns and fit snug.



ENG Do not overtighten screws.

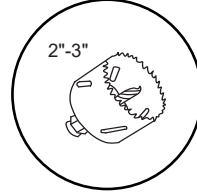
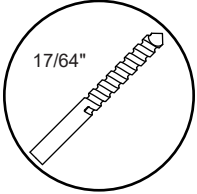
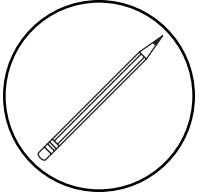
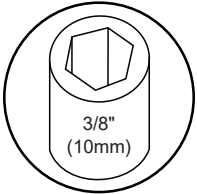


ENG Display center.

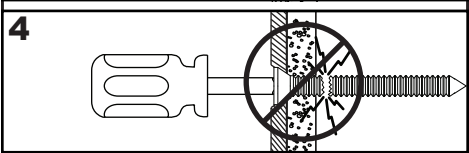
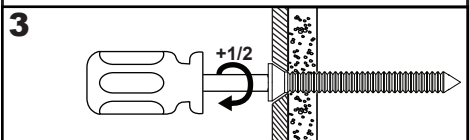
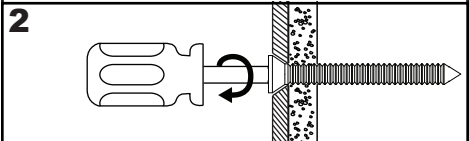
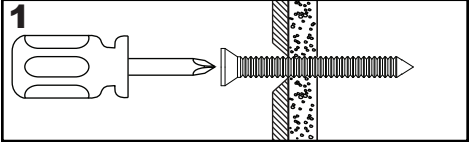


ENG Listen

ENG Tools Needed for Assembly.



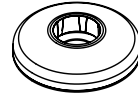
ENG To properly tighten screws: Tighten until screw head makes contact, then tighten another 1/2 turn. Do not overtighten screws.



ENG Parts (Before beginning, make sure you have all parts shown below).

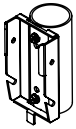
Parts List		
Description	Qty	Part #
A desktop swivel base	1	090-1821
B adaptor bracket	2	091-1211
C right adaptor bracket	2	091-1217
D left adaptor bracket	2	091-1218
E support tube	1	091-1221
F M6 x 6mm hex set screw	2	510-9150
G M4 x 10mm socket pin screw	8	520-1060
H slope nut	3	530-0035
I 1/4-20 x 3/4" washer head screw	4	520-1321
J 1/4" x 1/2" x .068 split washer	4	540-9402
K 4mm allen wrench	1	560-9646
L 48" foam strip	1	570-1170
M 1/4-20 lock nut	4	530-1021
N fender washer	4	540-1008
O 1/4-20 x 3" threaded rod	4	520-2585
P base plate	1	090-1544
Q thrust washer	1	590-1287
R 1/4-20 x 1.5" threaded rod	4	520-2250
S 3mm allen wrench	1	560-0194
T 10-32 x 1/2" set screw	2	520-1614

A (1)
desktop swivel base



B (2)

adaptor bracket



C (2)

right adaptor bracket



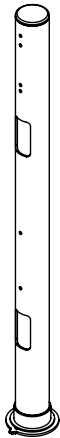
D (2)

left adaptor bracket



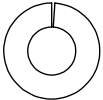
E (1)

support tube



J (4)

1/4" x 1/2" x .068 split washer



K (1)

4mm allen wrench



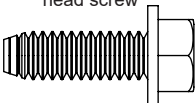
L (1)

48" foam strip



I (4)

1/4-20 x 3/4" washer head screw



G (8)

M4 x 10mm socket pin screw



F (2)

M6 x 6mm hex set screw



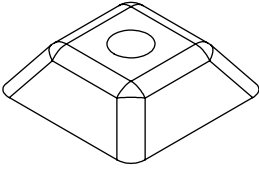
S (1)

3mm allen wrench



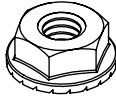
H (3)

slope nut



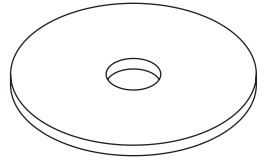
M (4)

1/4-20 lock nut



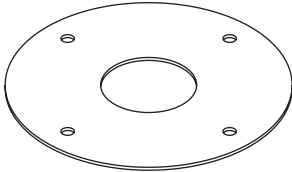
N (4)

fender washer



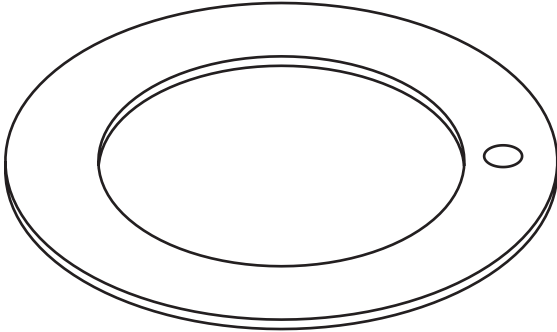
P (1)

base plate



Q (1)

thrust washer



O (4)

1/4-20 x 3" threaded rod



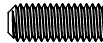
R (4)

1/4-20 x 1.5" threaded rod



T (2)

10 x 32mm x 1/2"
hex set screw

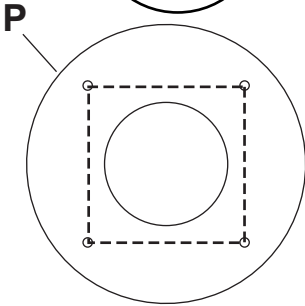
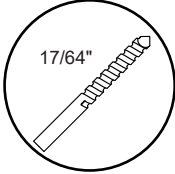
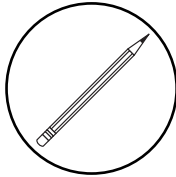


⚠ WARNING

ENG - Wooden mounting surface requires a minimum of 3/4" thickness to hold screen securely.

1

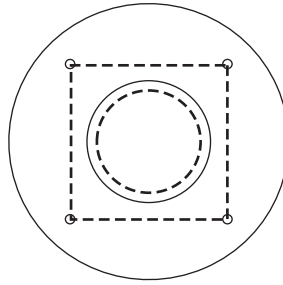
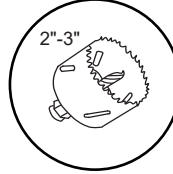
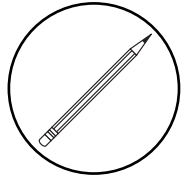
ENG Use base plate as a template to mark location of holes. Drill four holes in square formation, aligned to front of desk.



ENG Front of desk

1-1

ENG Drill 2" to 3" cord management hole in the center of the square formation.



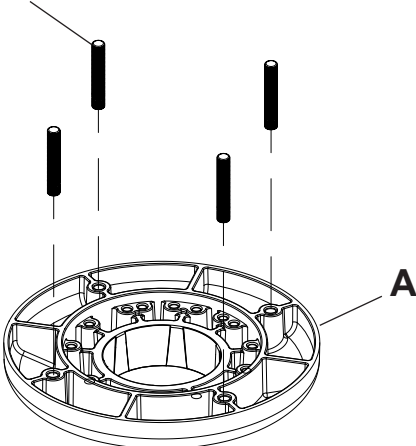
ENG Front of desk

2

ENG Threaded rods must fasten a minimum of three turns.

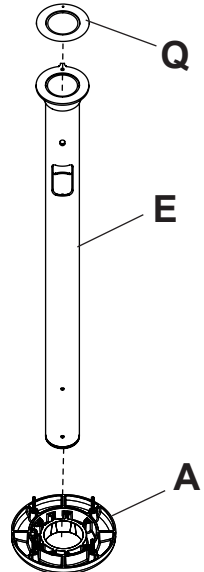


O (4) OR R (4)



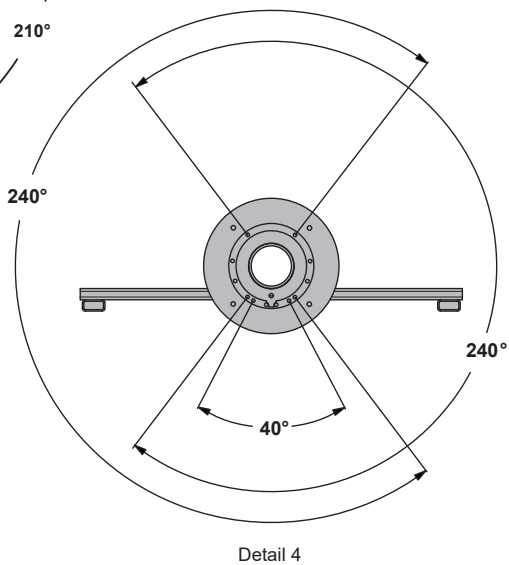
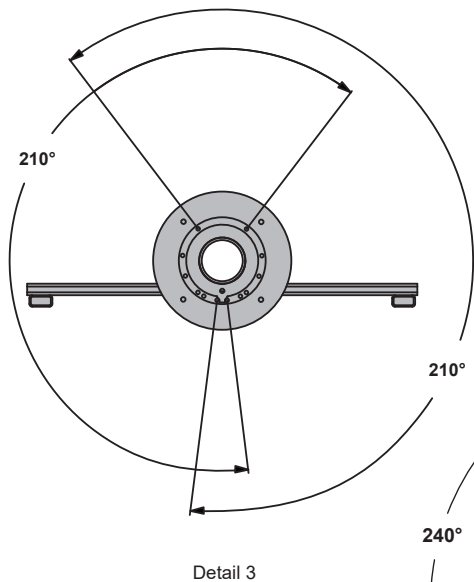
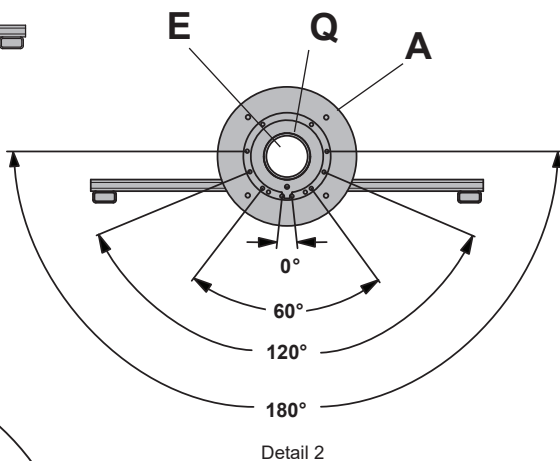
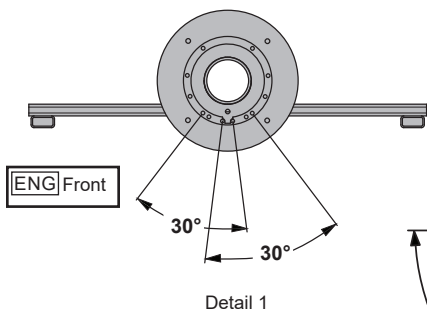
2-1

ENG Turn base upside down.



3

ENG Swivel restriction: refer to detail 1 through 4. Fasten two set screws where indicated below to the outside of desired angle in steel base.
Note: set screws must be bottomed out into base.



⚠ WARNING

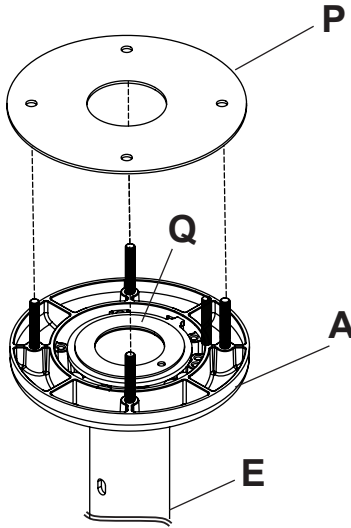
ENG - Make sure that the supporting surface will safely support the combined load of the equipment and all attached hardware and components.

⚠ CAUTION

ENG - Installations to desktops that have a gap between two supporting boards are not acceptable mounting surfaces for the desktop swivel mount.

4

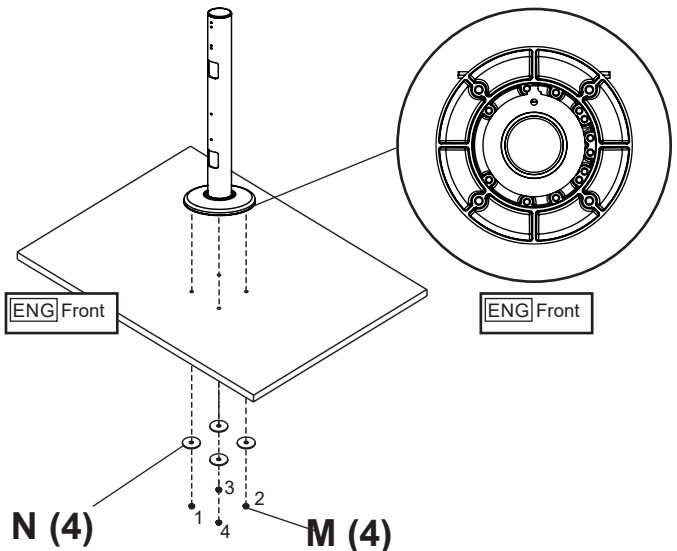
ENG Align plate with threaded rods.
Note: Washer must be centered.



4-1

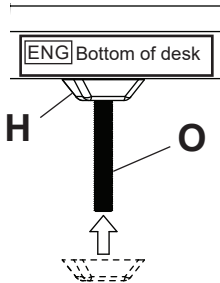


ENG Align base assembly with supporting surface and base pattern facing the front as shown. Tighten four fender washers with four lock nuts in the sequenced pattern at minimum flush with the bottom of the threaded rods.



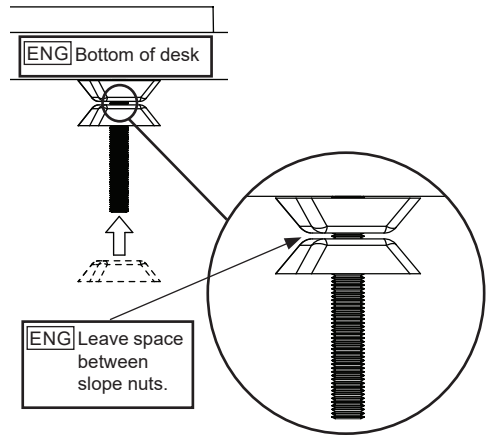
5

ENG Optional: for added security replace two of the washers and locknuts with slope nuts. Hand tighten slope nuts onto two of the threaded rods until snug against bottom of desk as shown.



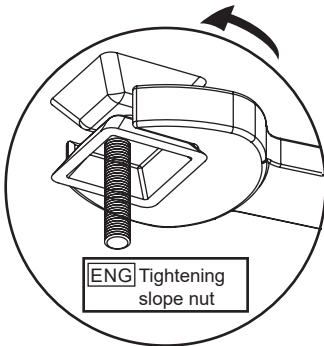
5-1

ENG Thread another slope nut upside-down, about two turns from first slope nut as shown. Avoid jamming both slope nuts together, doing so may make it difficult to remove slope nut used for tightening.



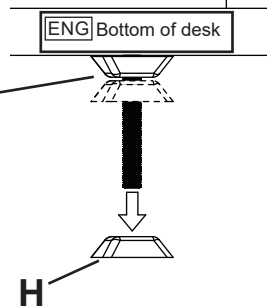
5-2

ENG Insert an open end wrench between both slope nuts and tighten as shown. After top slope nut is secure remove bottom slope nut as shown.

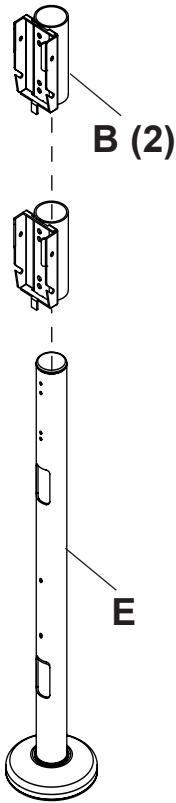


5-3

ENG After slope nut is secure, remove bottom slope nut as shown.



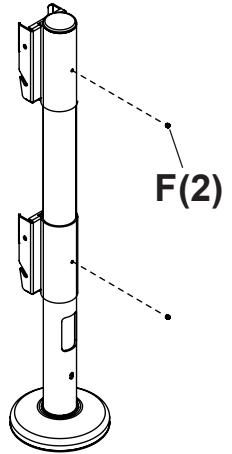
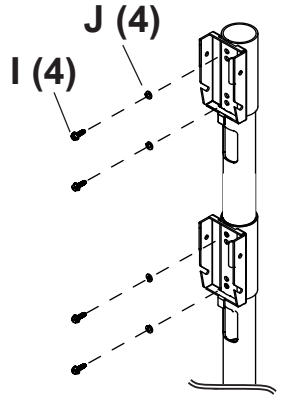
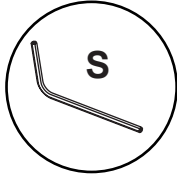
6

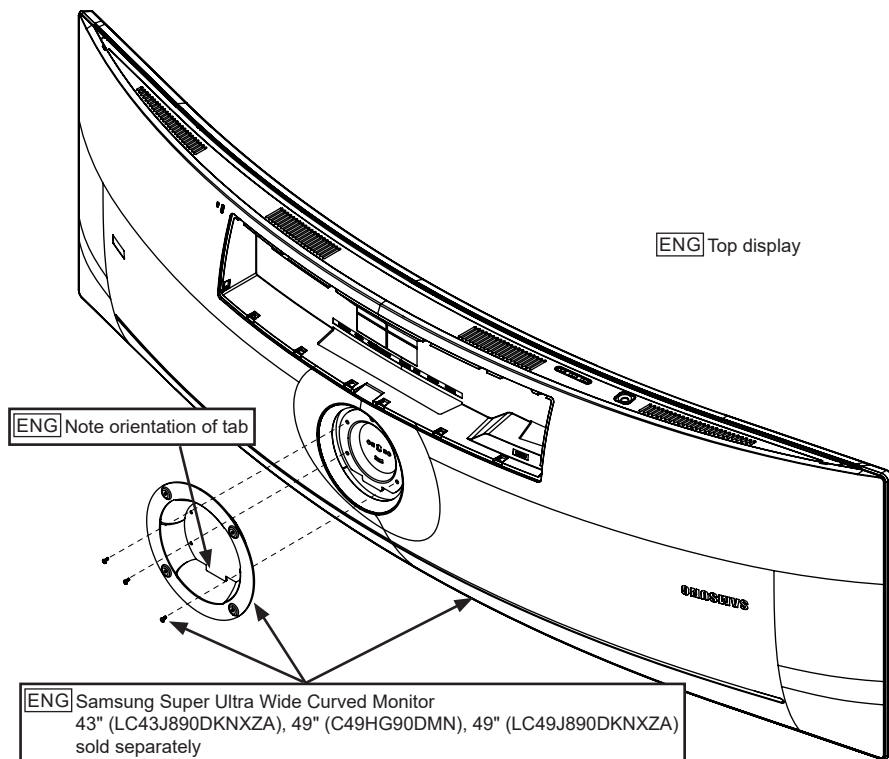


6-1

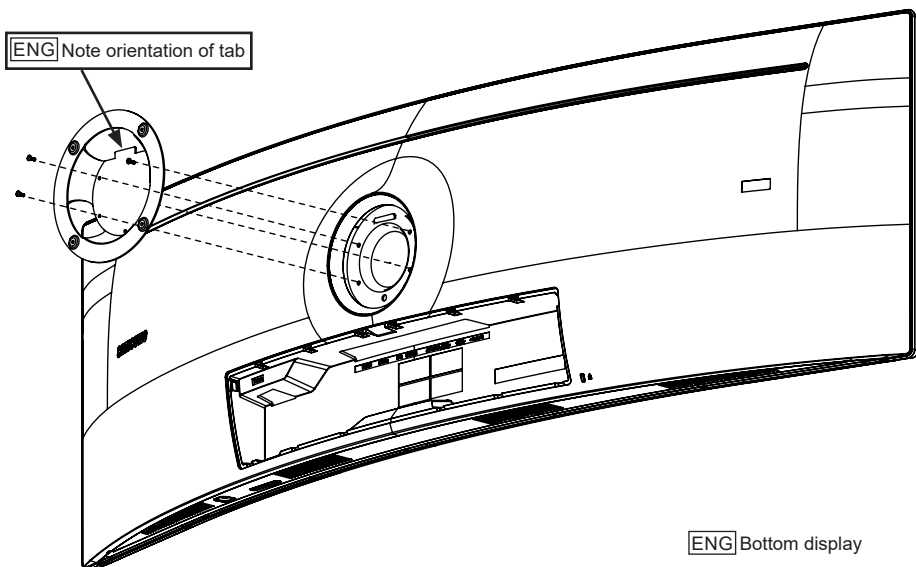


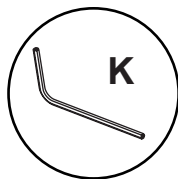
6-2



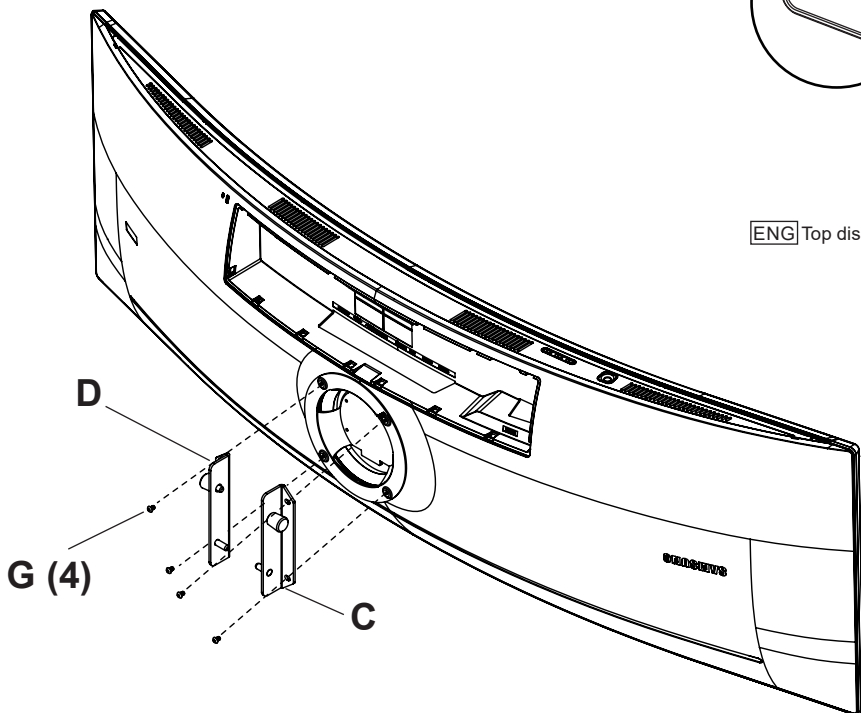


7-1

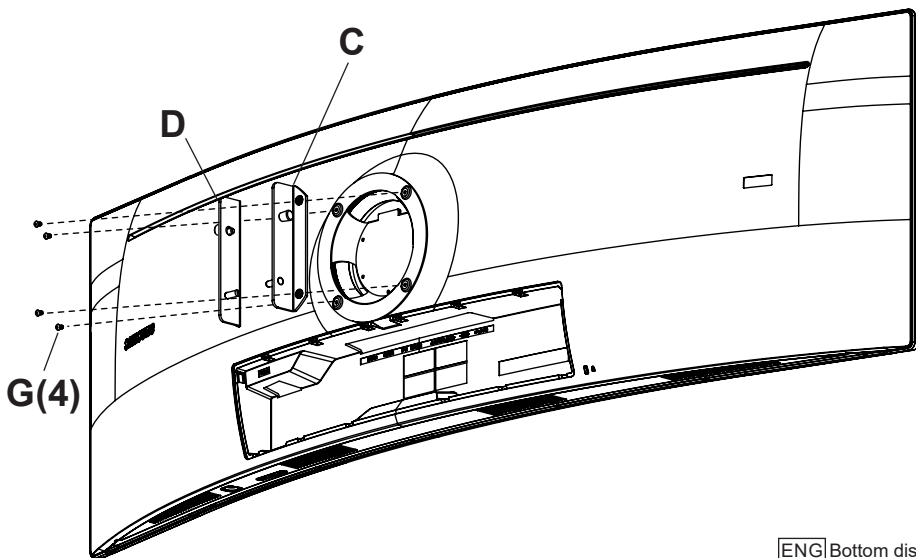




ENG Top display

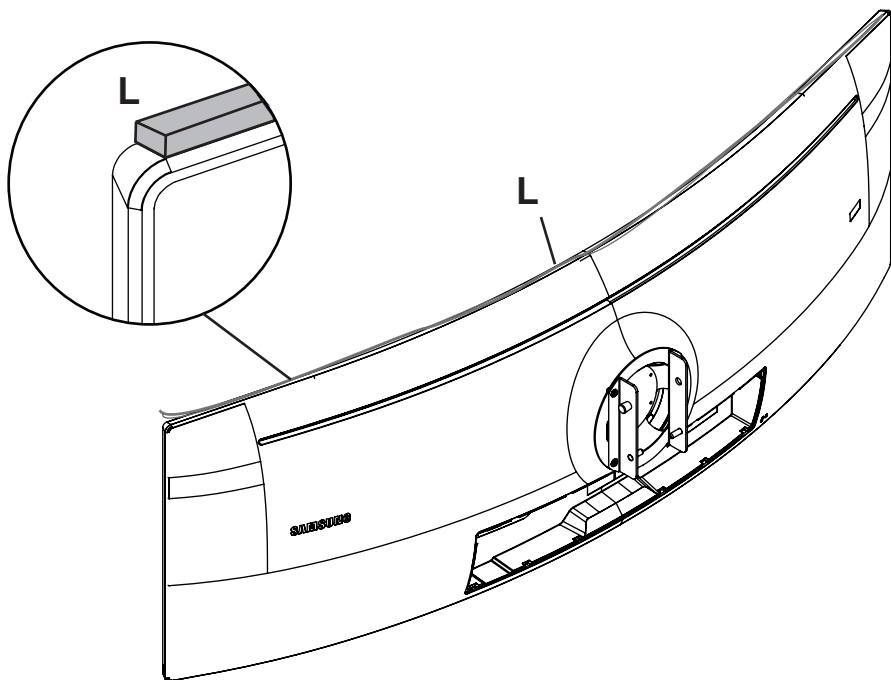
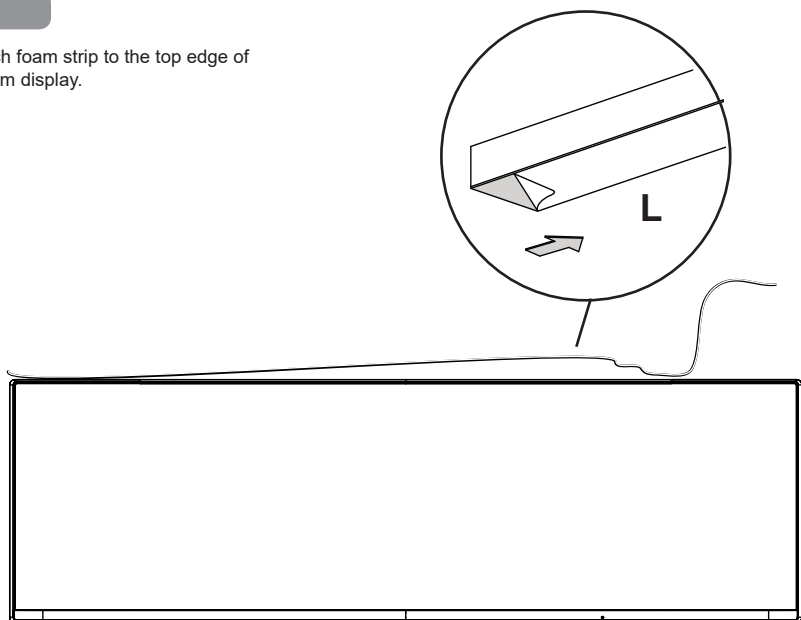


8-1



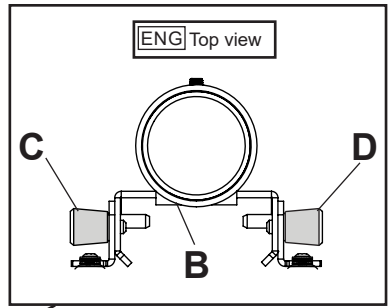
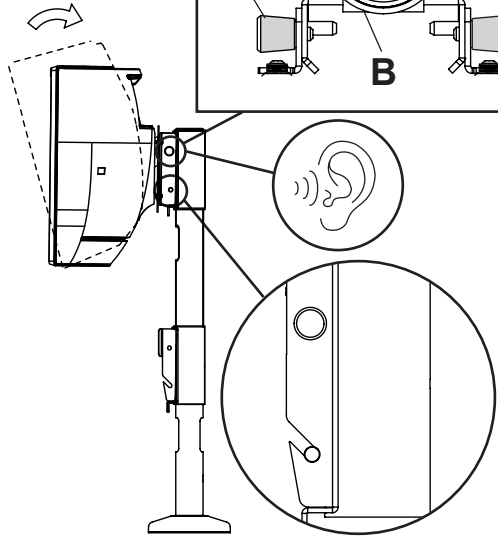
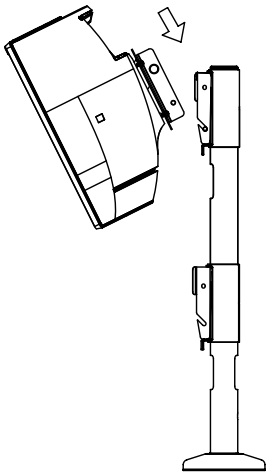
ENG Bottom display

ENG Attach foam strip to the top edge of bottom display.



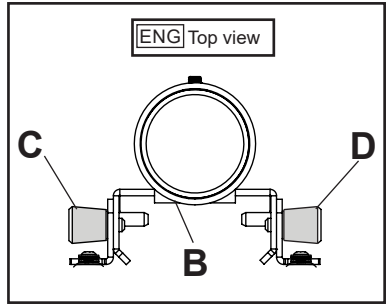
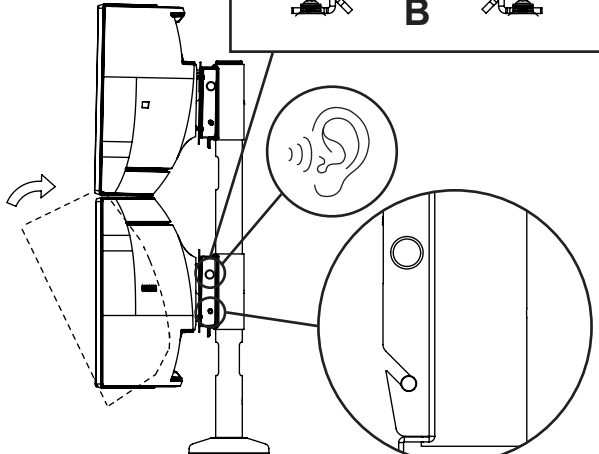
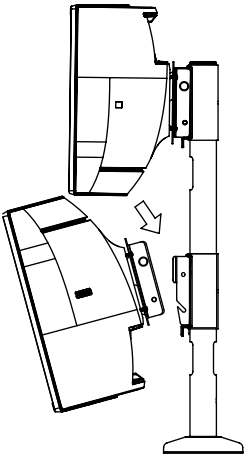
10

ENG Attach top display first.



10-1

ENG Attach bottom display.

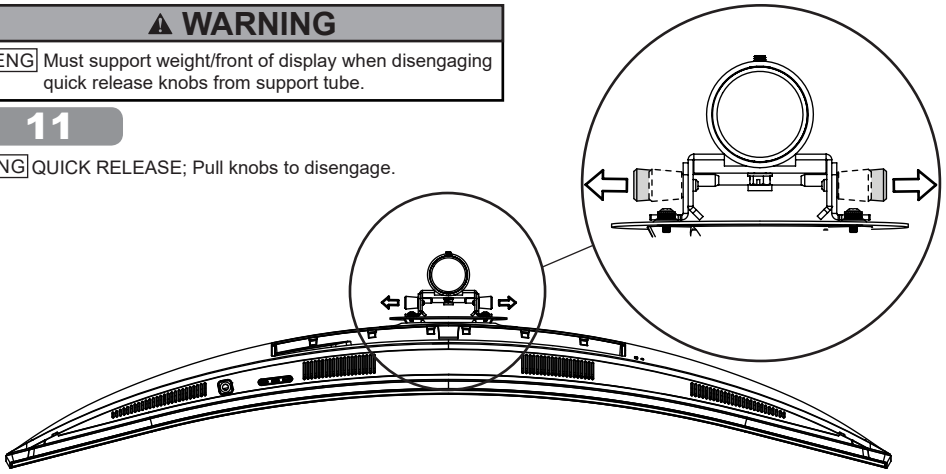


▲ WARNING

ENG Must support weight/front of display when disengaging quick release knobs from support tube.

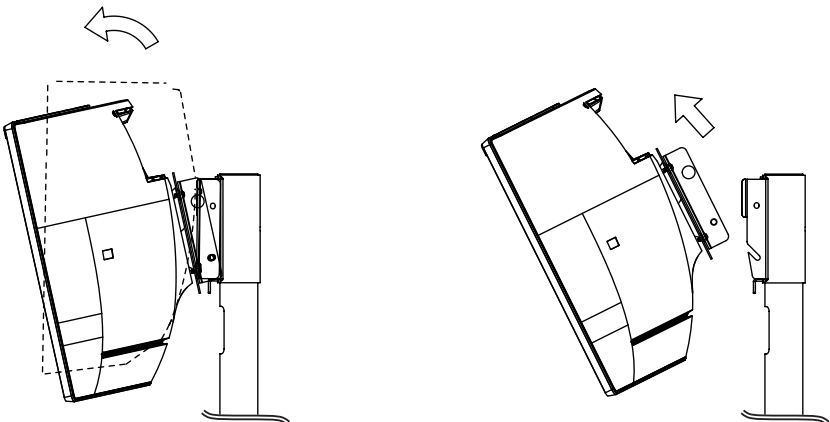
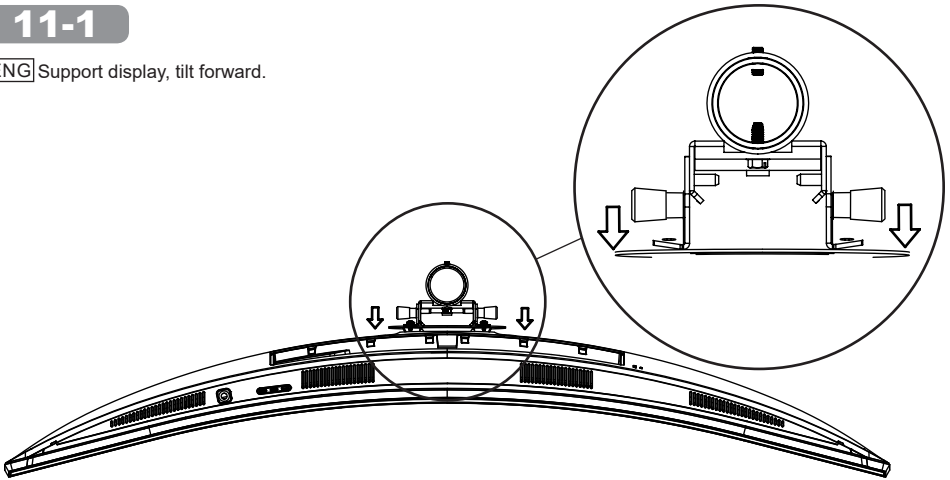
11

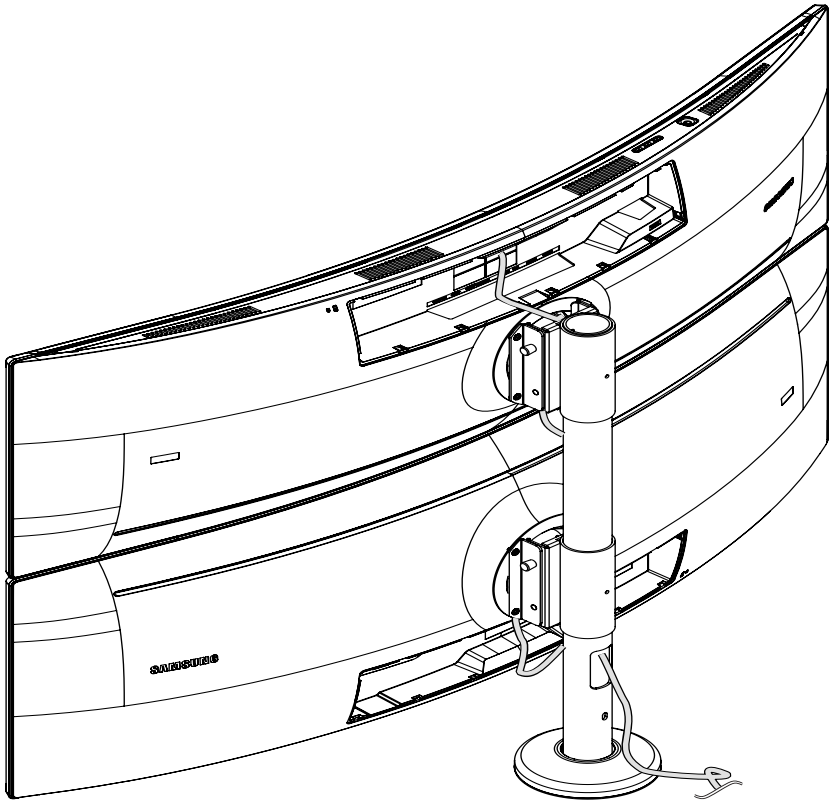
ENG QUICK RELEASE; Pull knobs to disengage.



11-1

ENG Support display, tilt forward.





LIMITED FIVE-YEAR WARRANTY

Peerless Industries, Inc. ("Peerless-AV") warrants to original end-users that each Peerless-AV® mounting product will be free from defects in material and workmanship, under normal use, for the applicable warranty period (from date of the original installation of the product). At its option, Peerless-AV will repair or replace, or refund the purchase price of, any product which fails to conform with this warranty.

Any implied warranty of merchantability or fitness for a particular purpose shall be limited to the period of the express warranty set forth below.

In no event shall Peerless-AV be liable for incidental or consequential damages, whether or not secured by a security device which may be included with the product.

Some states do not allow limitations on how long an implied warranty lasts, or the exclusion of incidental or consequential damages, so the above limitation and/or the above exclusion may not apply to you.

This warranty does not cover damage caused by incorrect selection, installation or the failure to follow Peerless-AV instructions or warnings when installing, using or storing the product.

This warranty gives specific legal rights, and you may also have other rights which vary from state to state. To make a warranty claim in North America, contact Peerless-AV customer care at 1-800-865-2112. See complete global warranty information for regions outside North America at www.peerless-av.com/en-uk/customer-care/warranties-returns.

The logo for Peerless-AV features the word "peerless" in a bold, lowercase, red sans-serif font. To its right, the letters "AV" are rendered in a red outline font, with a registered trademark symbol (®) to the upper right of the "V".

Peerless-AV

2300 White Oak Circle
Aurora, IL 60502
Email: tech@peerlessmounts.com
Ph: (800) 865-2112
Fax: (800) 359-6500
www.peerless-av.com

© 2019, Peerless Industries, Inc.

Peerless-AV Europe

Unit 3 Watford Interchange,
Colonial Way, Watford, Herts,
WD24 4WP, United Kingdom
Customer Care
44 (0) 1923 200 100
www.peerless-av.com

© 2019, Peerless Industries, Inc.

Peerless-AV de Mexico

Ave de las Industrias 413
Parque Industrial Escobedo
Escobedo N.L Mexico 66062
Servicio al Cliente
01-800-849-65-77
www.peerless-av.com

© 2019, Peerless Industries, Inc.