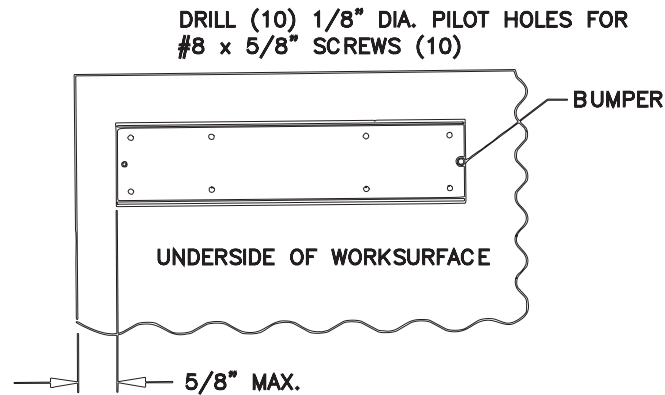
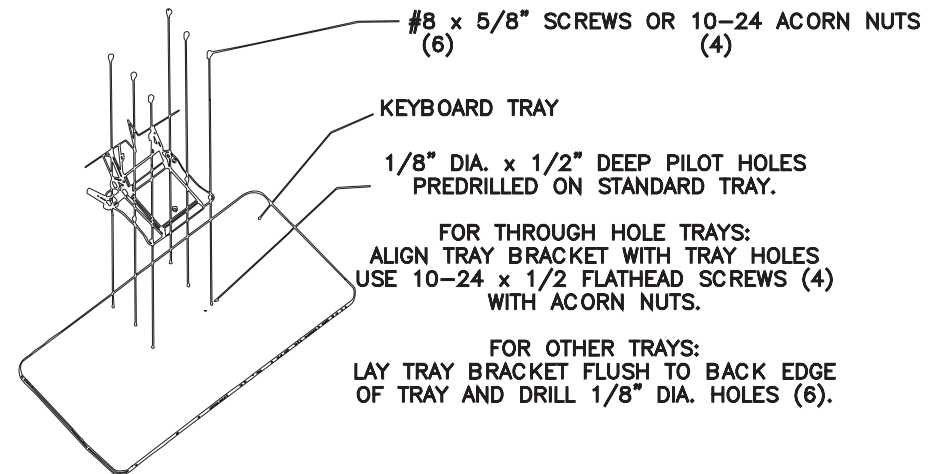


Tools Needed:  
Phillips Head Screwdriver  
3/8" Wrench

### ① MOUNT TRACK

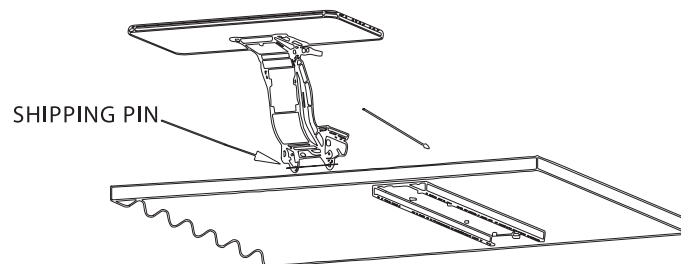


### ② MOUNT KEYBOARD TRAY

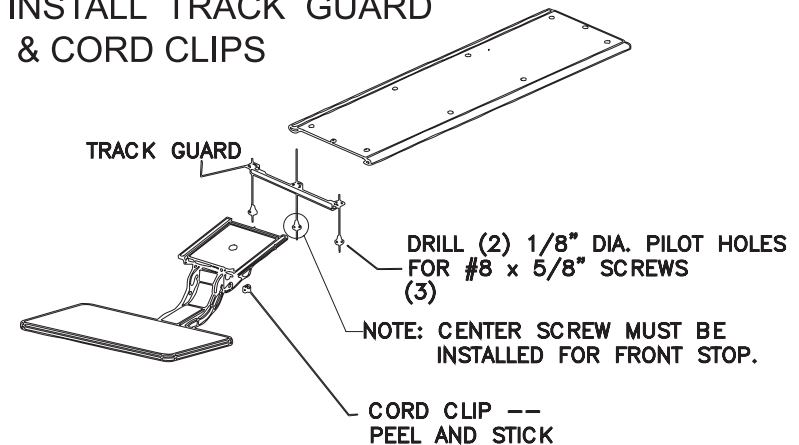


### ③ INSTALL MECHANISM

REMOVE SHIPPING PIN ONLY AFTER MECHANISM IS INSERTED INTO THE MOUNTED TRACK. TO REMOVE SHIPPING PIN: TIP FRONT OF KEYBOARD TRAY UP AND BEGIN TO LOWER MECHANISM TO RELIEVE PRESSURE ON SHIPPING PIN. PULL OUT SHIPPING PIN. SLIDE MECHANISM BACK TO BUMPER.



### ④ INSTALL TRACK GUARD & CORD CLIPS



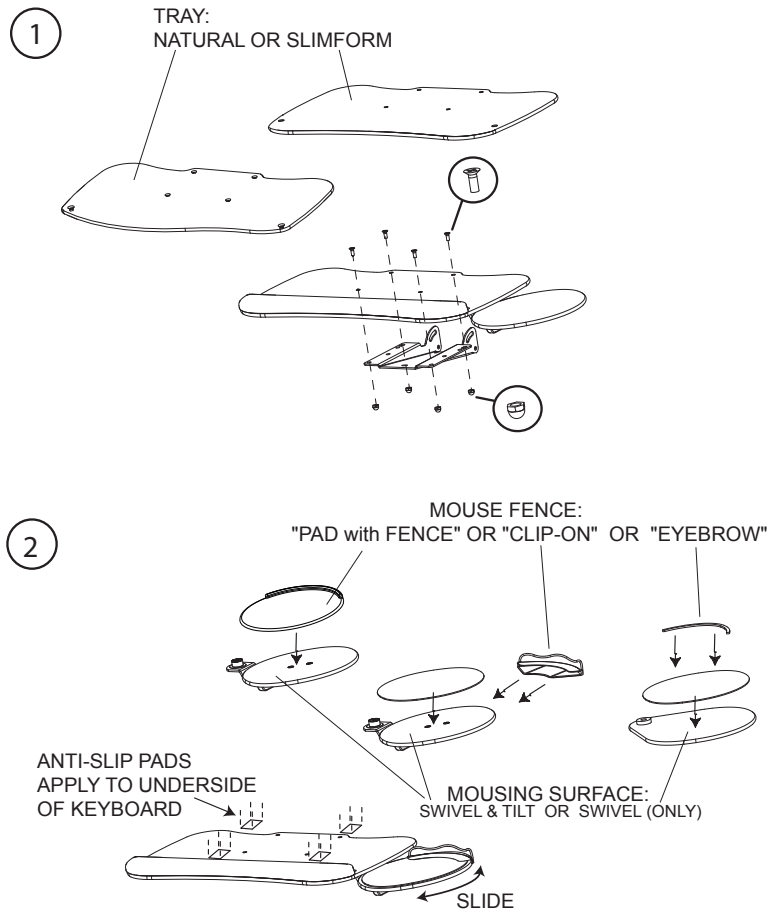
**Hardware Included:**

- (4) Acorn Nuts
- (4) Screws
- (4) Anti-Slip Keyboard Pads
- (1) Mouse Pad \*
- (1) Mouse Catcher \*
- \* - only with Mouse Set

**Tools Needed:**

- Phillips Head Screwdriver
- Wrench
- Allen Wrench

**RIGHT HAND MOUSE**



**LEFT HAND MOUSE**

