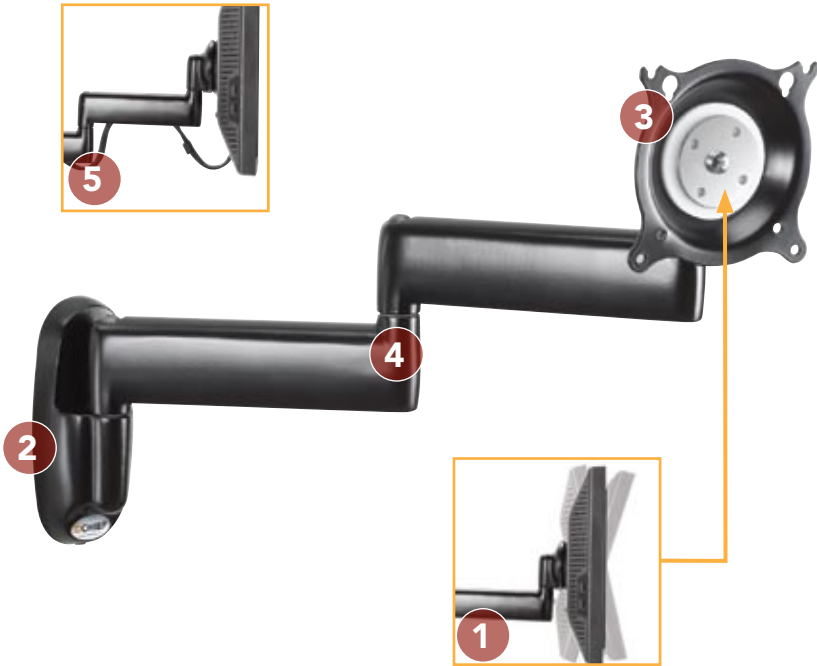




WALL MONITOR MOUNTS KWD110™ □ DUAL ARM



FEATURES

- CENTRIST™ TECHNOLOGY**
PATENTED FEATURE
Provides smooth fingertip tilt in all directions using the screen's center of gravity. Screen angle stays set until you decide to re-adjust.
- COMPATIBLE WITH OFFICE FURNITURE**
Custom OFB office furniture interface brackets available for most office systems. (OFB brackets sold separately)
- ADVANCED DISPLAY MOUNTING**
Teardrop hole pattern makes mounting the screen quick and easy.
- ULTIMATE FLEXIBILITY**
Maximum range of motion from low profile to full extension.
- CABLE MANAGEMENT**
Easily route cables through predefined pathway inside arms.

WHAT YOU NEED TO KNOW

OTHER PRODUCT OPTIONS



KWS110
Single Arm Mount



KWP110
Pivot/Tilt Mount



KWDSK110
Single Arm Steel Stud Mount



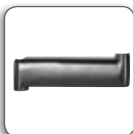
KWD130
Height-Adjustable Dual Arm Mount

SPECIFICATIONS

Depth from Wall	2.17" (55 mm)
Max. Extension	15.94" (405 mm)
Tilt	±15°
Weight Capacity	40 lbs (18.2 kg)
Colors	Black, Silver

* Dimensions don't include interface bracket

RECOMMENDED ACCESSORIES



KSA1003 ■ Extension Arm
– Maximum of 3 arms
– Weight capacity is reduced to 30 lbs



KSA1004 ■ Height Adjustable Arm
– Weight capacity is reduced to 25 lbs



KSA1006 ■ Extreme Pitch Accessory

For a complete list of monitor mount accessories see page 108.

TECHNICAL DRAWINGS

