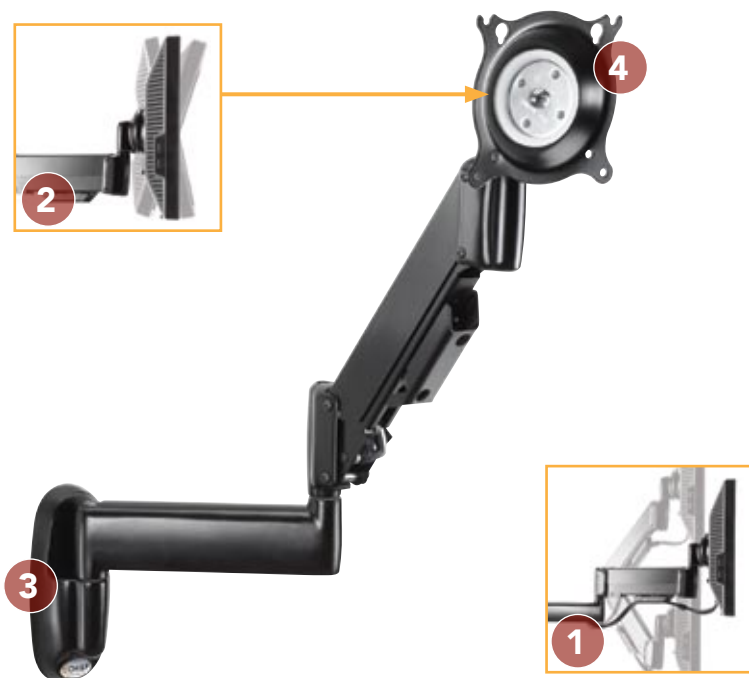




FEATURES

- 1 FINGERTIP HEIGHT ADJUSTMENT**
Adjust viewing height up to 13.25" (337 mm). Optimize height adjustment for any display with customizable tension.
- 2 CENTRIS™ TECHNOLOGY PATENTED FEATURE**
Provides smooth fingertip tilt in all directions using the screen's center of gravity. Screen angle stays set until you decide to re-adjust.
- 3 COMPATIBLE WITH OFFICE FURNITURE**
Custom OFB office furniture interface brackets available for most office systems. (OFB brackets sold separately)
- 4 ADVANCED DISPLAY MOUNTING**
Teardrop hole pattern makes mounting the screen quick and easy.



SPECIFICATIONS

Depth from Wall	2.19" (56 mm)
Max. Extension	19.5" (495 mm)
Height Adjustment	13.25" (337 mm)
Tilt	±15°
Weight Capacity	5-25 lbs (2.3 - 11.4 kg)
Colors	Black, Silver

* Dimensions don't include interface bracket

WHAT YOU NEED TO KNOW

OTHER PRODUCT OPTIONS



KVV110
Height-Adjustable
Single Arm Mount



KWB110
Height-Adjustable
Triple Arm Mount

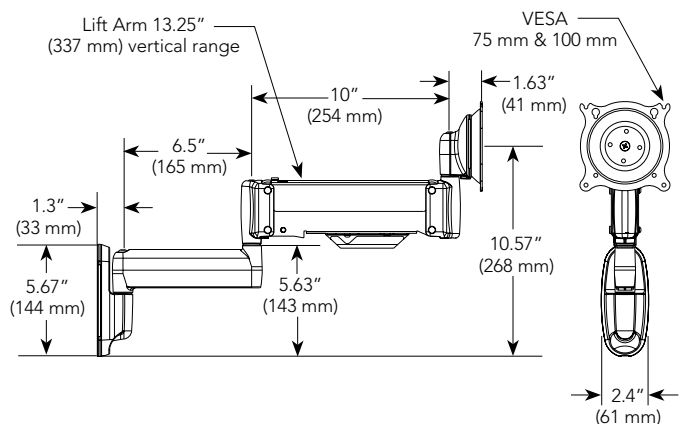


KWE110
Extreme Pitch
Dual Arm Mount



KWGSK110
Height-Adjustable
Steel Stud Mount

TECHNICAL DRAWINGS



RECOMMENDED ACCESSORIES



KSA1003 ■ Extension Arm
– Maximum of 3 arms
– Weight capacity is reduced to 30 lbs



KSA1006 ■ Extreme Pitch Accessory



KSA1021 ■ Keyboard Tray Accessory

For a complete list of monitor mount accessories see page 108.