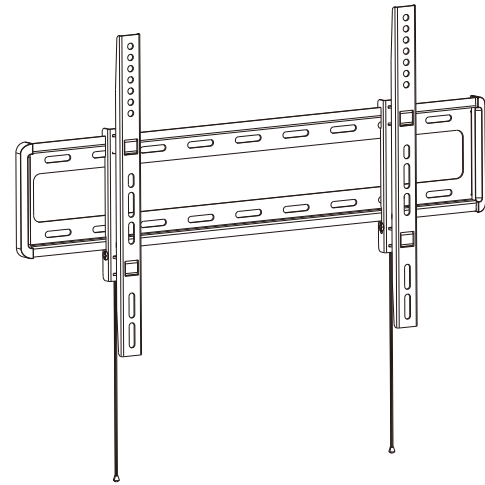
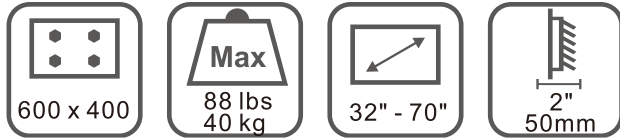
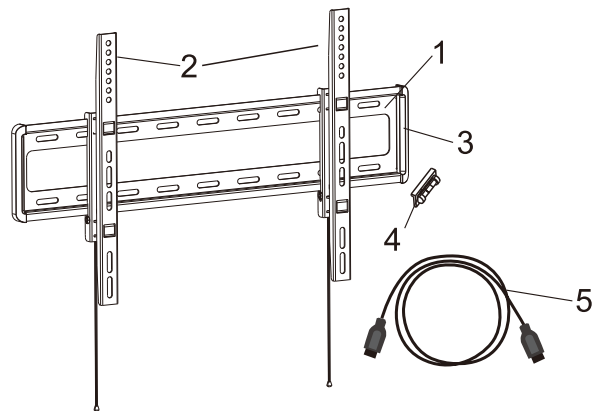


Item No. R1H
Installation Guide















Package Contents Include:

(A) Parts Included:






- 1. Wall Mount
- 2. TV Mounting Rail (x 2)
- 3. Plastic cover
- 4. Bubble Level
- 5. 6 ft HDMI Cable

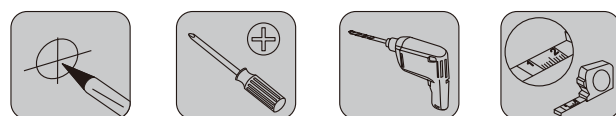
(B) TV Attachment Screw Set:

- | | | | | | |
|--|--|--|--|--|--|
| A.  M4 X 25mm (4 PCS) | B.  M5 X 25mm (4 PCS) | C.  M6 X 25mm (4 PCS) | D.  M8 X 25mm (4 PCS) | E.  M6 X 35mm (4 PCS) | F.  M8 X 36mm (4 PCS) |
| G.  M6 X 45mm (4 PCS) | H.  M8 X 45mm (4 PCS) | I.  M8 X 55mm (4 PCS) | J.  (4 PCS) | K.  (4 PCS) | L.  (4 PCS) |

(C) Wall Mounting Screw Set:

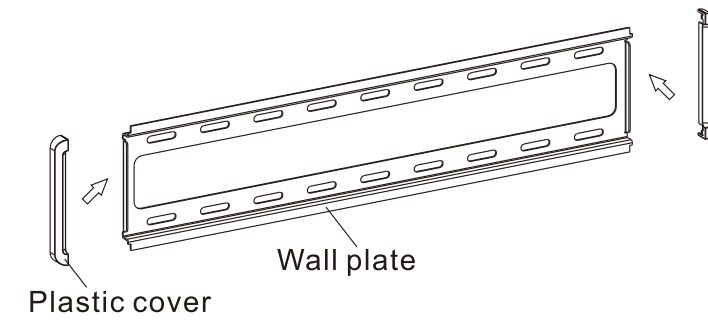
- | | | |
|--|--|--|
| B1.  (4 PCS) | B2.  (4 PCS) | B3.  (4 PCS) |
|--|--|--|

(D) Tools Needed for Assembly:



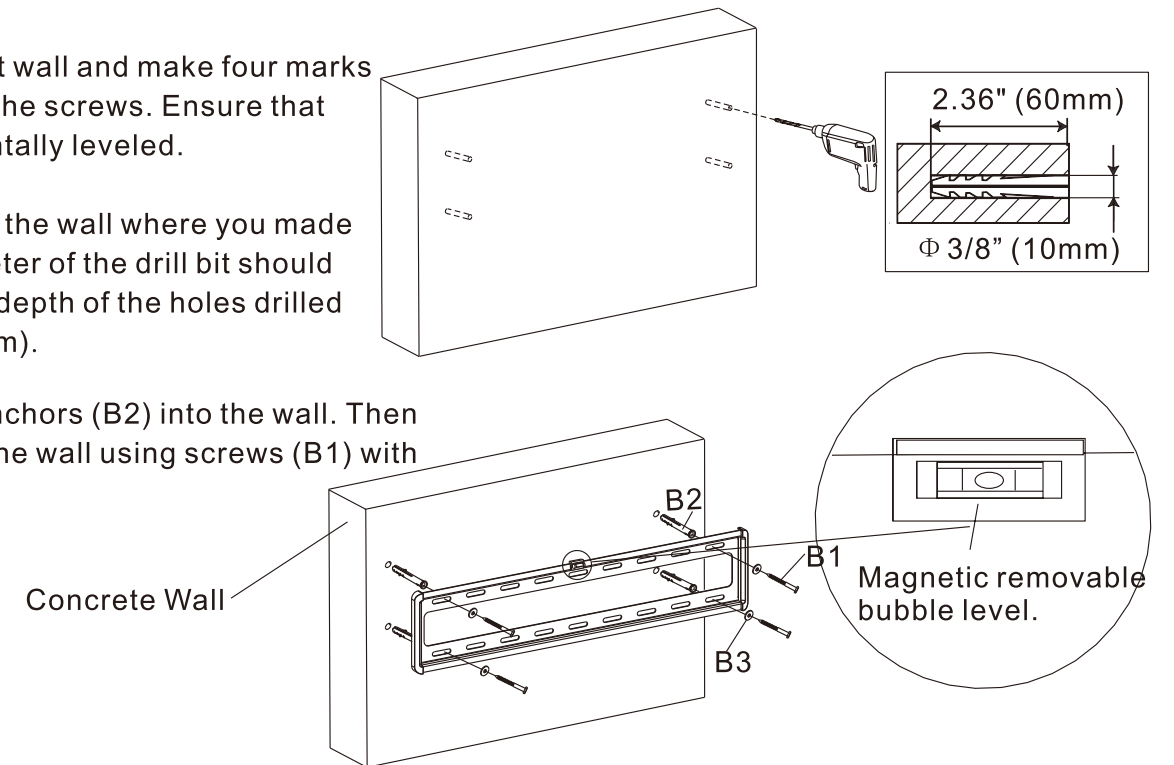
Installation Steps

STEP 1: Placing the Plastic Cover on the Wall Plate



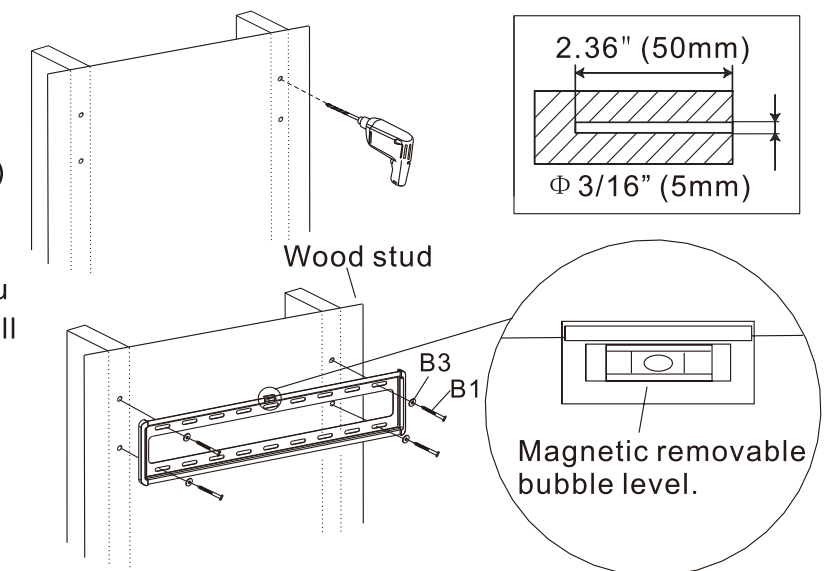
STEP 2: Alternative A - Mounting on Solid Concrete

1. Hold mount against wall and make four marks where you will insert the screws. Ensure that the marks are horizontally leveled.
2. Drill four holes into the wall where you made the marks. The diameter of the drill bit should be 3/8" (10mm). The depth of the holes drilled should be 2.36" (60mm).
3. Install the screw anchors (B2) into the wall. Then secure the mount to the wall using screws (B1) with washers (B3).

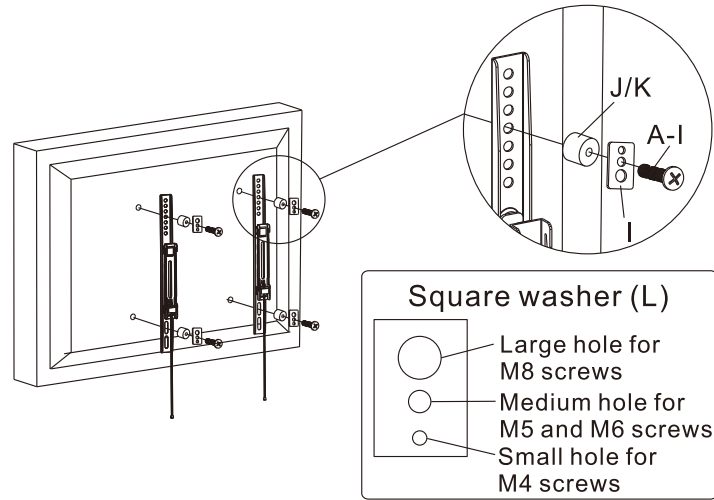


STEP 2: Alternative B - Mounting on Wood Studs

1. Identify where the studs in your wall are. Hold mount against wall and make four marks on the studs where you will insert the screws. (Two marks per stud.) Ensure marks are horizontally level.
2. Drill four holes into the wall where you made the marks. The diameter of the drill bit should be 3/16" (5mm). The depth of the holes drilled should be 2" (50mm).
3. Secure the mount to the wall using screws (10) with washers (8).



STEP 3: Alternative A - Attaching Brackets To Screen



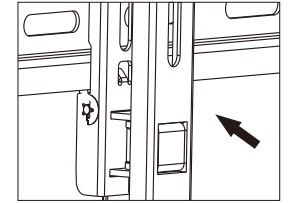
Connect mounting rails (2) to the back of your TV using four screws (A - I), depending on the spacing of the VESA holes on the back of your TV, and washers (L).

Note: If the screws (A - I) are too long for the mounting holes, you can use the extension washers (J or K) between the mounting plates and the washers (L).

Note: How to use the Safety Lock

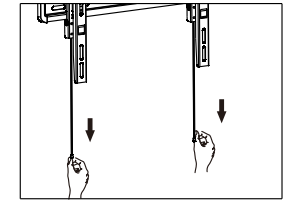
1. Assembling

Press the brackets after you put them on the wall plate, then they would be locked with wall plate.



2. Disassembling

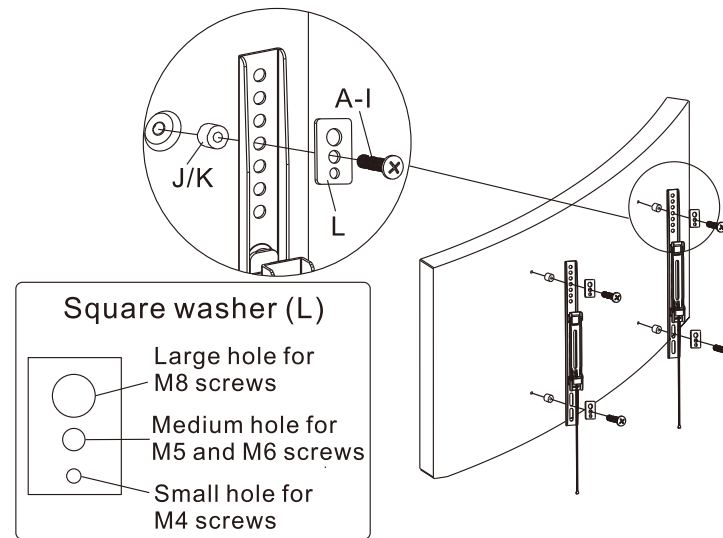
Pull down two strings together to unlock the brackets from the wall plate, then you can take brackets down.



STEP 3: Alternative B - For TVs with a Curved Back or Obstruction

Connect mounting rails (2) to the back of your TV using four screws (A-I), depending on the spacing of the VESA holes on the back of your TV.

Note: If the screws (A-I) are too long for the mounting holes or there is indentation in the back of your TV, you can use the extension washers (J or K) between the mounting plates and the TV.



CAUTION

This product contains small items that could be a choking hazard if swallowed. Keep these items away from young children.

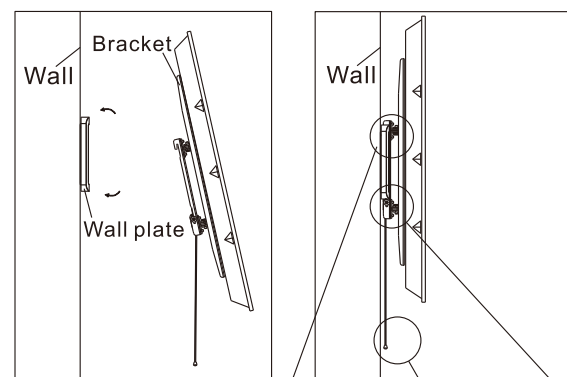
- Make sure these instructions are read and completely understood before attempting installation. If you are unsure of any part of this installation, please contact a professional installer for assistance.
- The wall or mounting surface must be capable of supporting the combined weight of the mount and the display, otherwise the structure must be reinforced.
- Safety gear and proper tools must be used. A minimum of two people are required for this installation.
- Please check joint parts every two months to ensure that no screws have loosened.

This product was designed to be installed on wood stud walls or on solid concrete walls. Before installing, make sure the wall will support the combined load of the equipment and hardware. Never exceed the maximum load capacity 88 lbs (40 kg), or else it may result in product failure or personal injury.

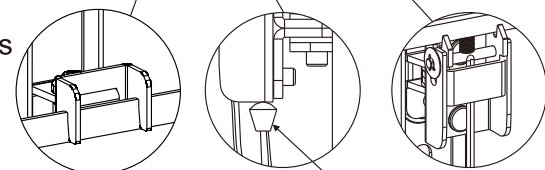
Note: This product is intended for indoor use only. Use of this product outdoors could lead to product failure or personal injury.

STEP 4: Hang the TV onto the Wall Plate

1. Slide mounting rails (2) onto the mount plate (1).
2. Clip the two arms into the gear to secure the TV the mount. Stick the magnetic pendants on the brackets.



Clip the two arms into the gear.



Stick the magnetic pendants on the brackets

ZOXOU INC. (Distributor)

ADDRESS: 47618 Kato Road, Fremont, CA, 94538 United States
 TEL: 1-855-421-2808
 Facebook: Loctek
 Twitter: LoctekOfficial
 Web: www.loctek.us

LOCTEK VISUAL TECHNOLOGY CORP (Manufacturer)

ADDRESS: No. 588 Qihang South Road, Binhai Industrial Zone, Yinzhou District, Ningbo China
 WEB: www.loctek.com

