

www.luxorfurn.com  
www.hwilson.com

### Parts List

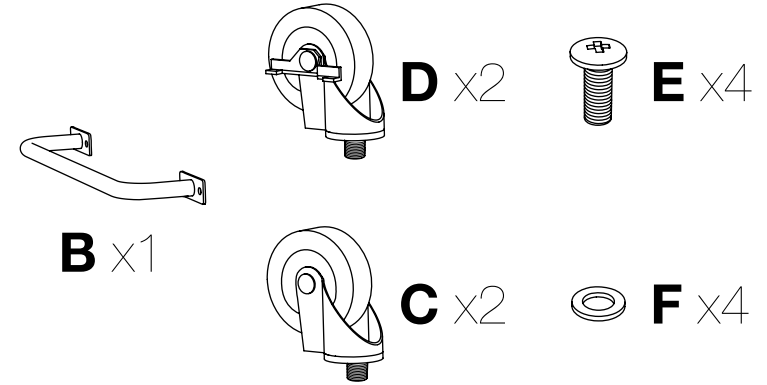
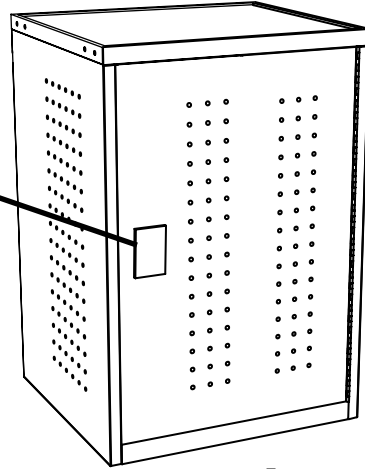
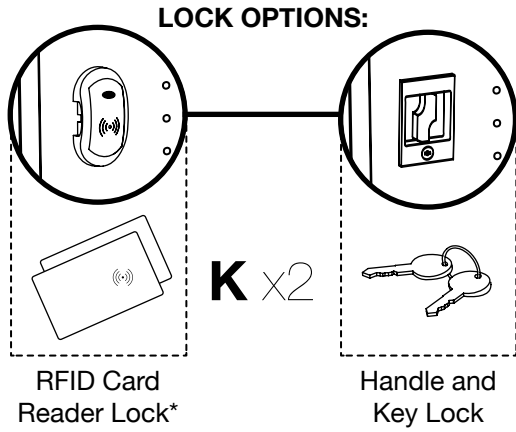
### Tools Required

- Phillips Screwdriver
- Wrench

#### Optional Accessories for the RFID Lock\*:

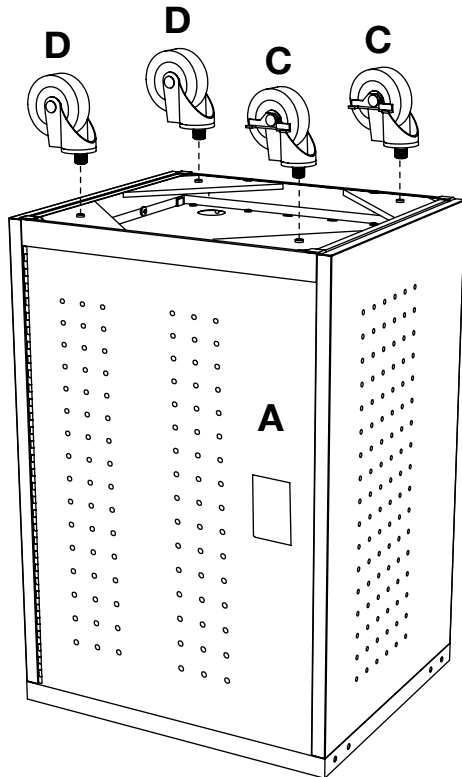
RFID Card Pack

RFID Backup Battery Pack



\* Only available on the 30 Tablet Cart.

**1**



**2**

