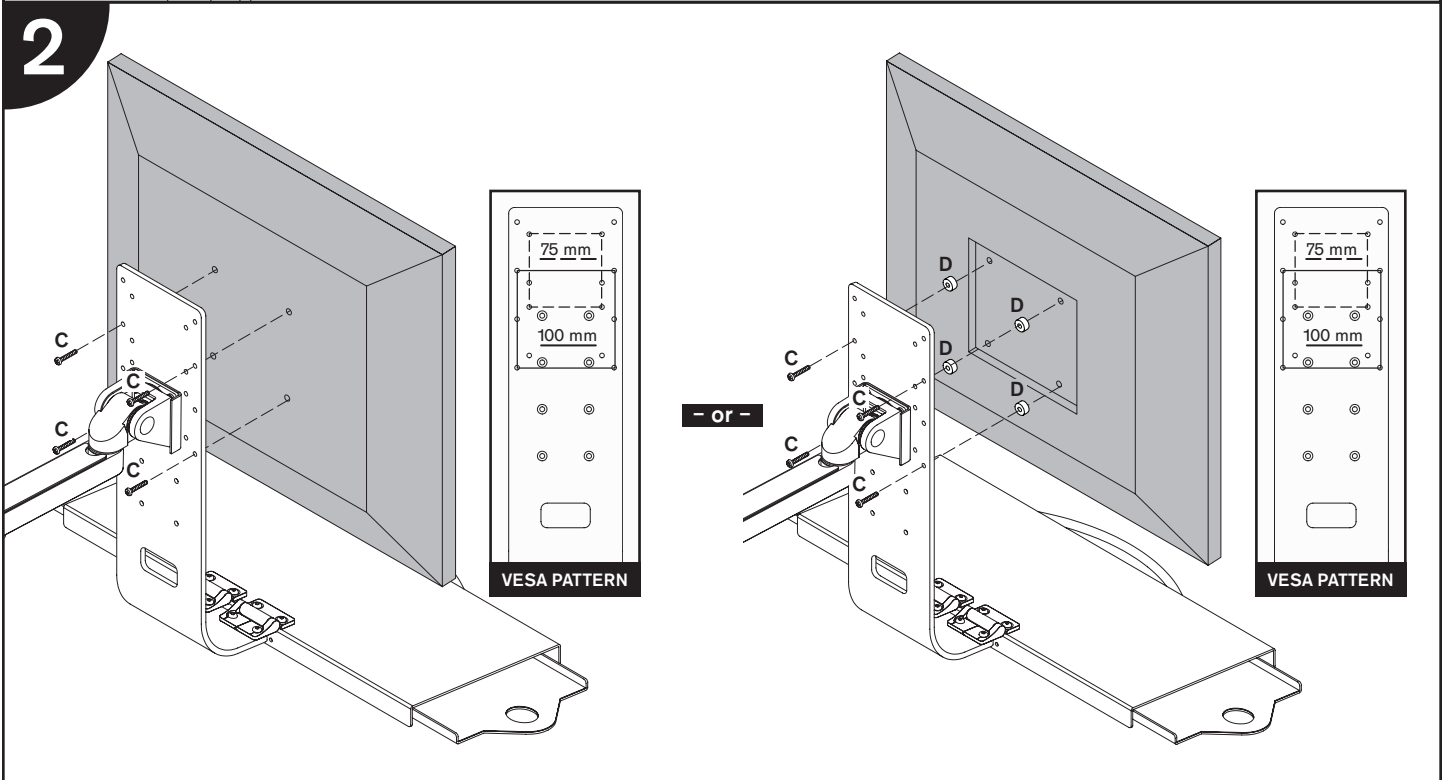
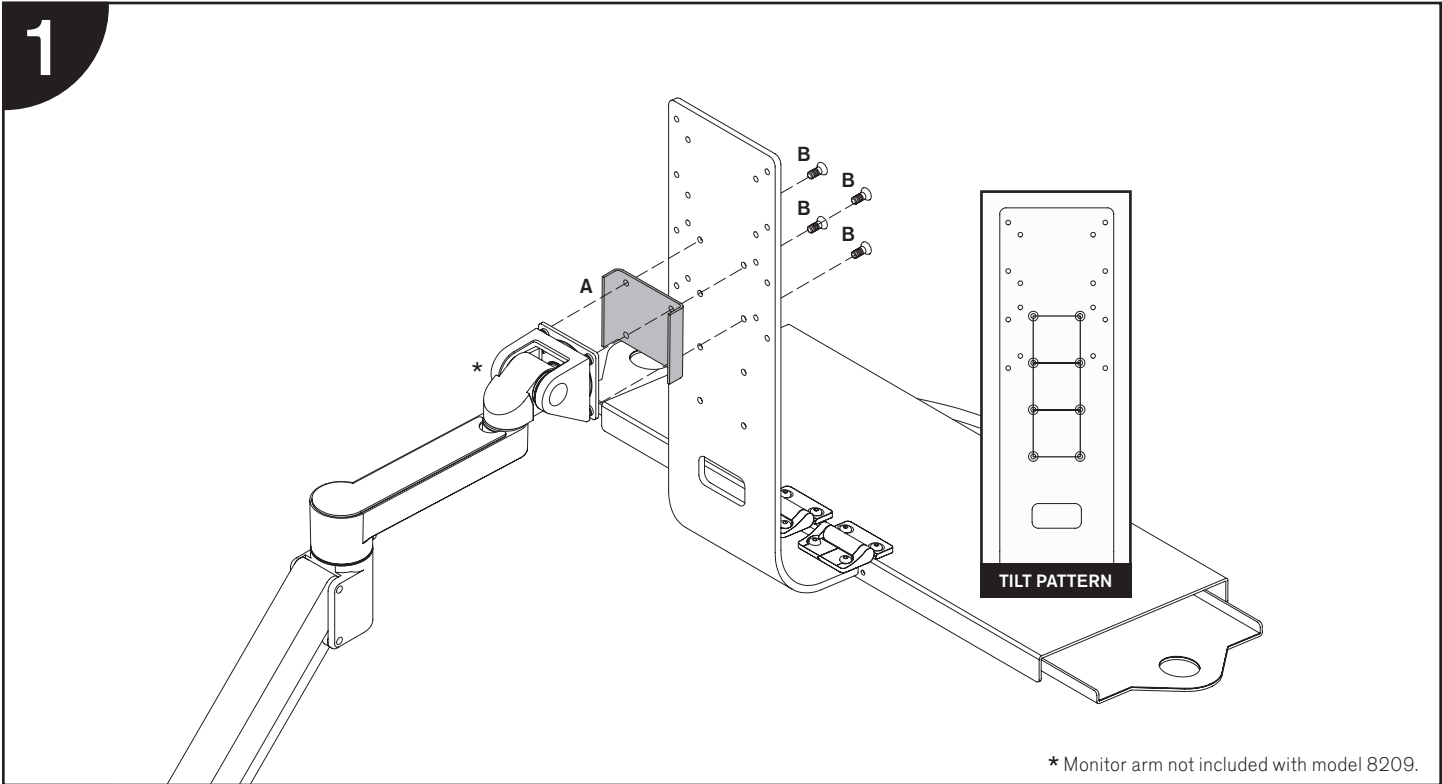
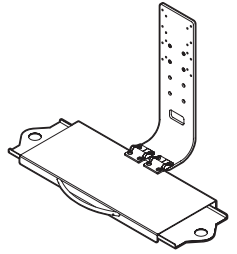
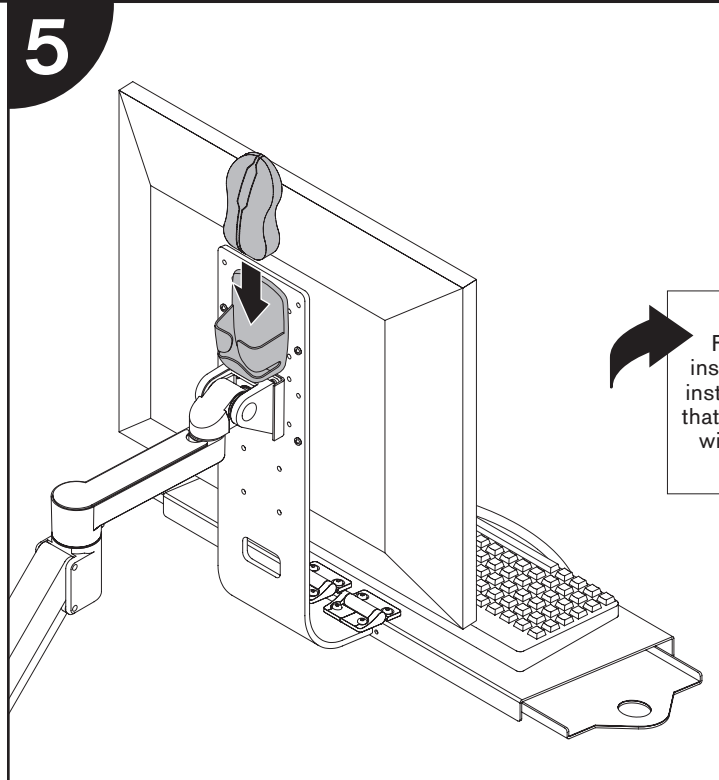
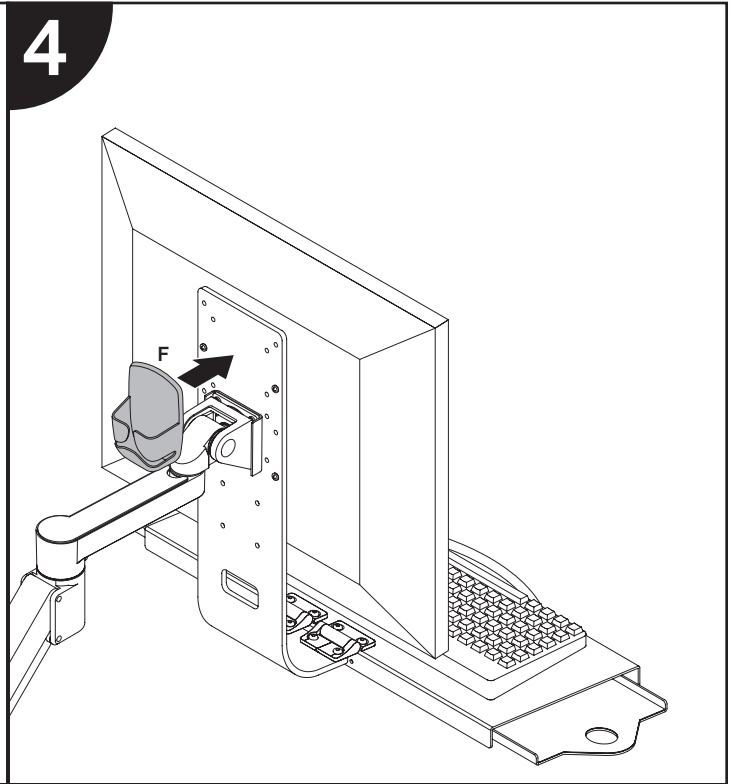
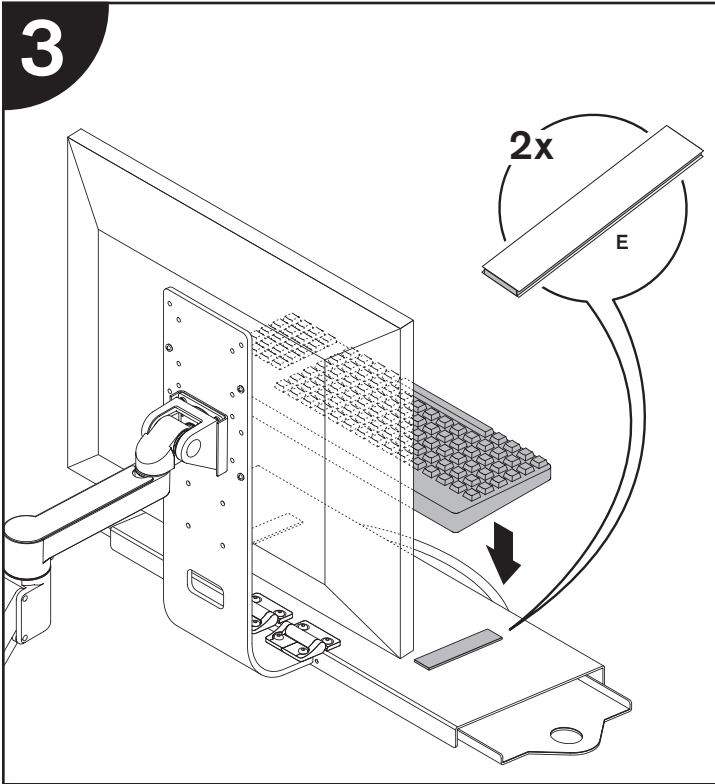


# MODEL 8209

## Installation Instructions





Follow  
installation  
instructions  
that shipped  
with arm.

# MODEL 8209

## Parts List

ITEM	DESCRIPTION / PART NO.	QUANTITY
A	Rotation Prevention Bracket 702949	1
B	10-32 x 5/8" Phillips Flat Head Screw 702200	4
C	M4 x 18mm Phillips Pan Head Screw 704917	4

ITEM	DESCRIPTION / PART NO.	QUANTITY
D	1/2" Standoff 704920	4
E	Velcro 701174	2
F	Mouse Holder w/Velcro Strip 704275	1