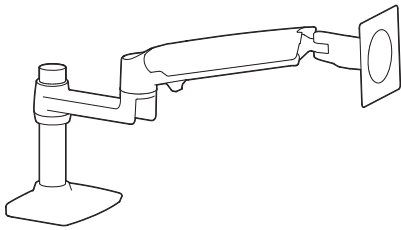
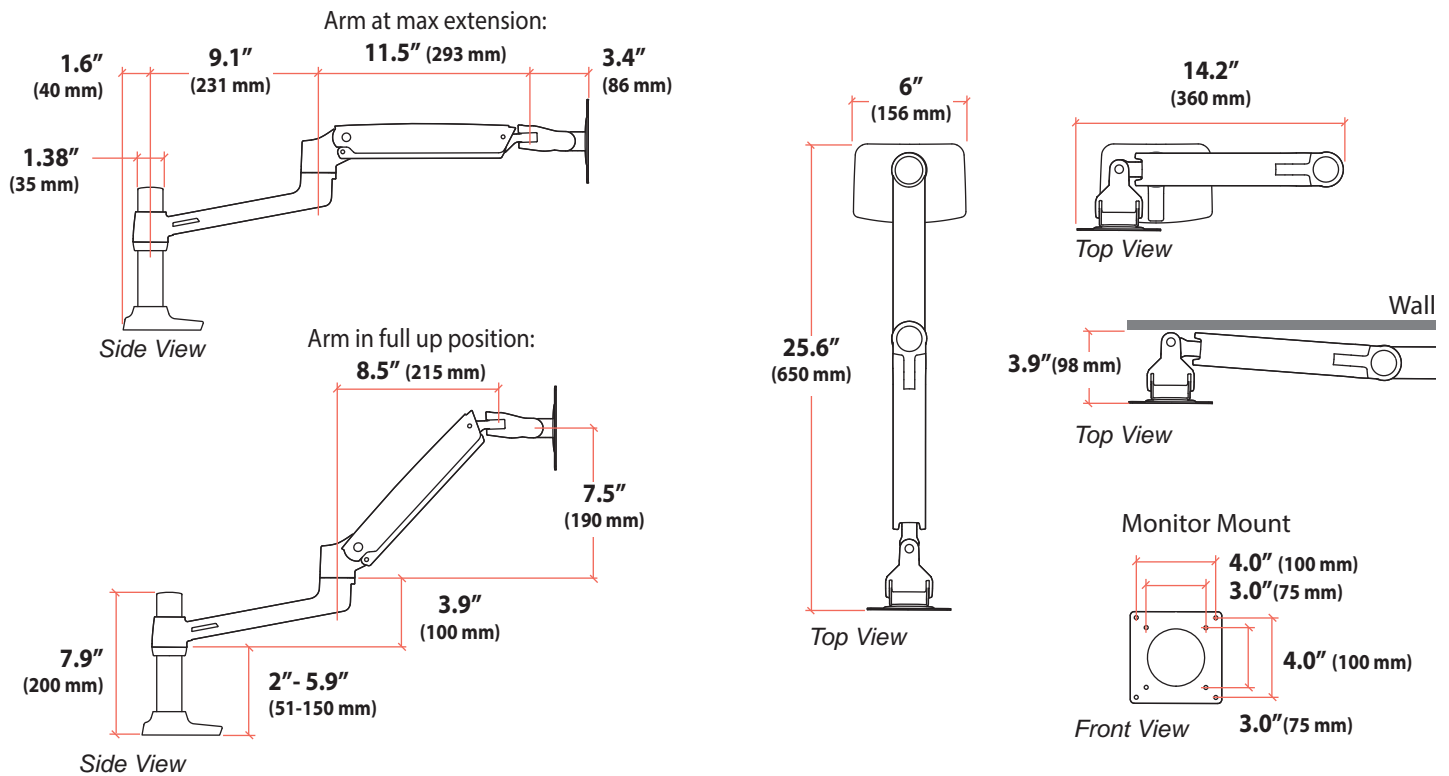


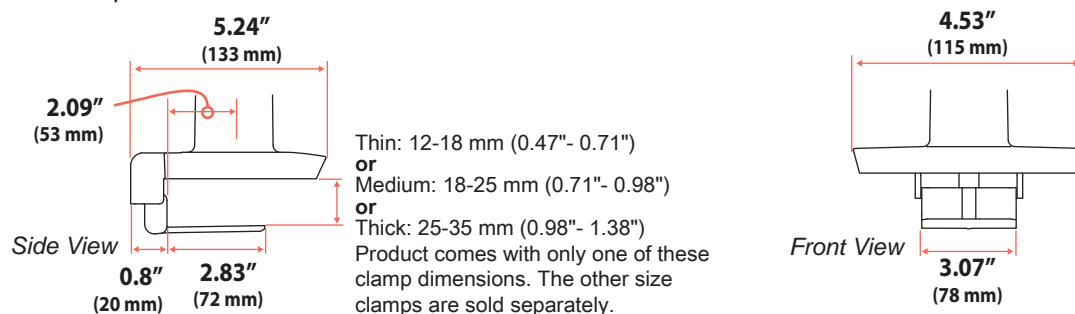
LX Desk Mount LCD Arm



Dimensions



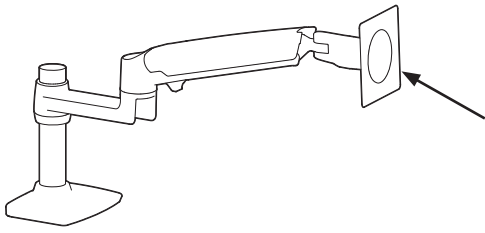
Desk Clamp



© 2020 Ergotron, Inc. rev. 12/14/2020 DIM-lx|ptc Content is subject to change without notification

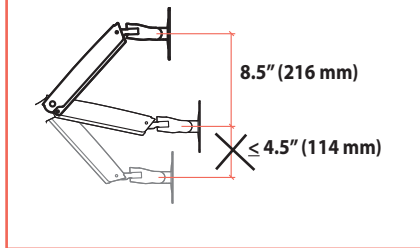
Americas Sales and Corporate Headquarter	EMEA Sales	APAC Sales	Worldwide OEM Sales
St. Paul, MN USA (800) 888-8458 +1-651-681-7600 www.ergotron.com insidesales@ergotron.com	Amersfoort, The Netherlands +31 33 45 45 600 www.ergotron.com info.eu@ergotron.com	Sydney, Australia www.ergotron.com apaccustomerservice@ergotron.com	www.ergotron.com info.oem@ergotron.com

LX Desk Mount LCD Arm

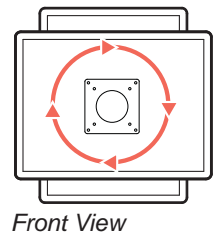
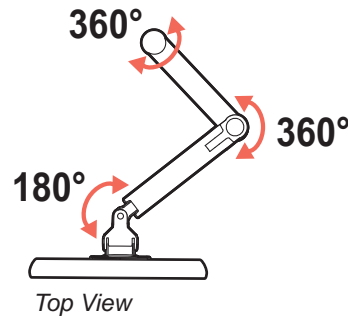
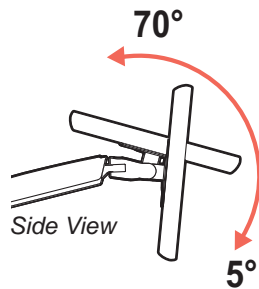
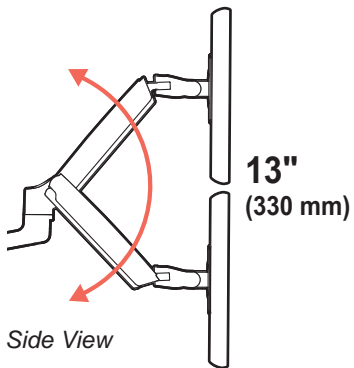


Weight Capacity per Monitor
 7 - 25 lbs (3.2 - 11.3 kg)*
 Monitor depth greater than 2.5" (64 mm) may diminish capacity.
 Call Ergotron for more information.

*** The lower most range of motion for vertical lift is decreased up to 4.5" (114 mm) when arm is adjusted to hold over 20lbs (9 kgs).**



Range of Motion



Americas Sales and Corporate Headquarter	EMEA Sales	APAC Sales	Worldwide OEM Sales
St. Paul, MN USA (800) 888-8458 +1-651-681-7600 www.ergotron.com insidesales@ergotron.com	Amersfoort, The Netherlands +31 33 45 45 600 www.ergotron.com info.eu@ergotron.com	Sydney, Australia www.ergotron.com apaccustomerservice@ergotron.com	www.ergotron.com info.oem@ergotron.com