
INSTALLATION INSTRUCTIONS

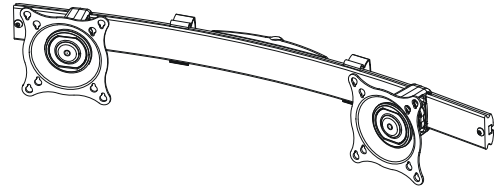
Horizontal Array Pole Clamp

Models: KTA-220/225 and KTA-320/325

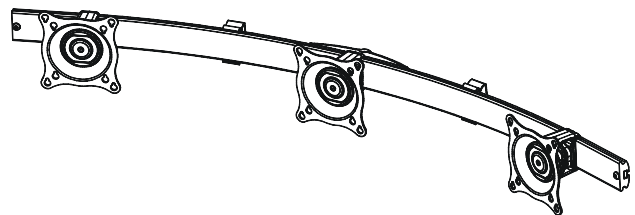
The KTA-220/225 and KTA-320/325 pivot arrays allow horizontal (yaw), vertical (pitch), and roll display adjustment. The pitch adjustment range is 30° (15° up / 15° down).

The KTA is designed to mount two or three 17" displays.

The KTA accommodates standard VESA® 75mm/100mm compliant displays.



KTA-220/225



KTA-320/325

BEFORE YOU BEGIN



CAUTION: To prevent damage to your display, which could affect or void the Factory warranty, thoroughly study all instructions and illustrations before you begin to install the mount. Pay particular attention to the "Important Warnings and Cautions" on Page 2.



CAUTION: The combined weight of the displays installed must not exceed 70 lbs (31.8 kg) for the KTA-220 and KTA-225 and 90lbs (40.8 kg) for the KTA-320 and KTA-325, the maximum load capacity of the mounts. The weight of each individual display must not exceed 35 lbs (15.9 kg) for the KTA-220 and KTA-225 or 30 lbs (13.6 kg) for the KTA-320 and KTA-325.



CHIEF MANUFACTURING INC.
1-800-582-6480 952-894-6280 FAX 952-894-6918
8401 EAGLE CREEK PARKWAY, STE 700
SAVAGE, MINNESOTA 55378 USA

8832-000141 Rev E
©2008 Chief Manufacturing
www.chiefmfg.com
11/08



• **IMPORTANT WARNINGS AND CAUTIONS!**

WARNING: A WARNING alerts you to the possibility of serious injury or death if you do not follow the instructions.

CAUTION: A CAUTION alerts you to the possibility of damage or destruction of equipment if you do not follow the corresponding instructions.



WARNING: RISK OF ELECTRIC SHOCK! Using the wrong screws could result in severe personal injury or damage to your display. If your display uses a longer screw size than those included in the kit, DO NOT use the screws provided with the kit. Use the screws provided with your display or contact the manufacturer.



WARNING: Improper installation can result in serious personal injury! Make sure that the mounting surface can support a redundant weight factor five times the total weight of the equipment. If not, reinforce the mounting surface structural members before installing the mount.



WARNING: Be aware of the potential for personal injury or damage to the unit if it is not adequately mounted.



WARNING: The installer is responsible for verifying that the mounting surface to which the KTA is anchored will safely support the combined load of all attached components or other equipment.



WARNING: Watch for pinch points. Do not put your fingers between movable parts.



WARNING: Make sure the mount is correctly oriented.



WARNING: The combined weight of the displays installed must not exceed 70 lbs (31.8 kg) for the KTA-220 and KTA-225 and 90lbs (40.8 kg) for the KTA-320 and KTA-325, the maximum load capacity of the mounts. The weight of each individual display must not exceed 35 lbs (15.9 kg) for the KTA-220 and KTA-225 or 30 lbs (13.6 kg) for the KTA-320 and KTA-325.



CAUTION: Check the unit for shipping damage before you begin the installation.

CONTENTS

IMPORTANT WARNINGS AND CAUTIONS!.....	2
TOOLS REQUIRED FOR INSTALLATION.....	3
Parts.....	3
INSTALLATION	4
Display Installation	4
Attach Centris Head to Flush Mount Display	4
Attach Centris Head to Recessed Mount Display	5
ADJUSTMENTS.....	6
Array Adjustment.....	6
Display Adjustment.....	6
Display Horizontal Position Adjustment.....	6
Display Pitch, Roll, and Yaw Adjustment.....	6

TOOLS REQUIRED FOR INSTALLATION

- Phillips screwdriver
- 3/16" Hex Key
- 5/32" Hex Key

NOTE: Other tools may be required depending on your method of installation.

Parts

Unpack carton and verify kit contents . Read installation instructions completely. If any listed parts are missing, contact Chief Customer Service.

Table 1: Parts

ITEM	DESCRIPTION	QTY*
10	ARRAY ASSEMBLY, KTA-220/225	1
20	ARRAY ASSEMBLY, KTA-320/325	1
30	SCREW, Phillips Pan Head, M4 x 12mm	4
40	SCREW, Phillips Pan Head, M4 x 20mm	4
50	SCREW, Phillips Pan Head, M4 x 30mm	4
60	SPACER, Nylon, 3/8" (used with item 40)	4
70	SPACER, Nylon, 3/4" (used with item 50)	4
80	KEY, Hex, 5/32"	1
90	BRACKET, Pole Clamp, Back	1
100	SCREW, Button Head, 1/4-20 x3/4"	2
110	WASHER, Flat, 1/4"	2

* Quantity varies depending upon the number of displays being mounted.

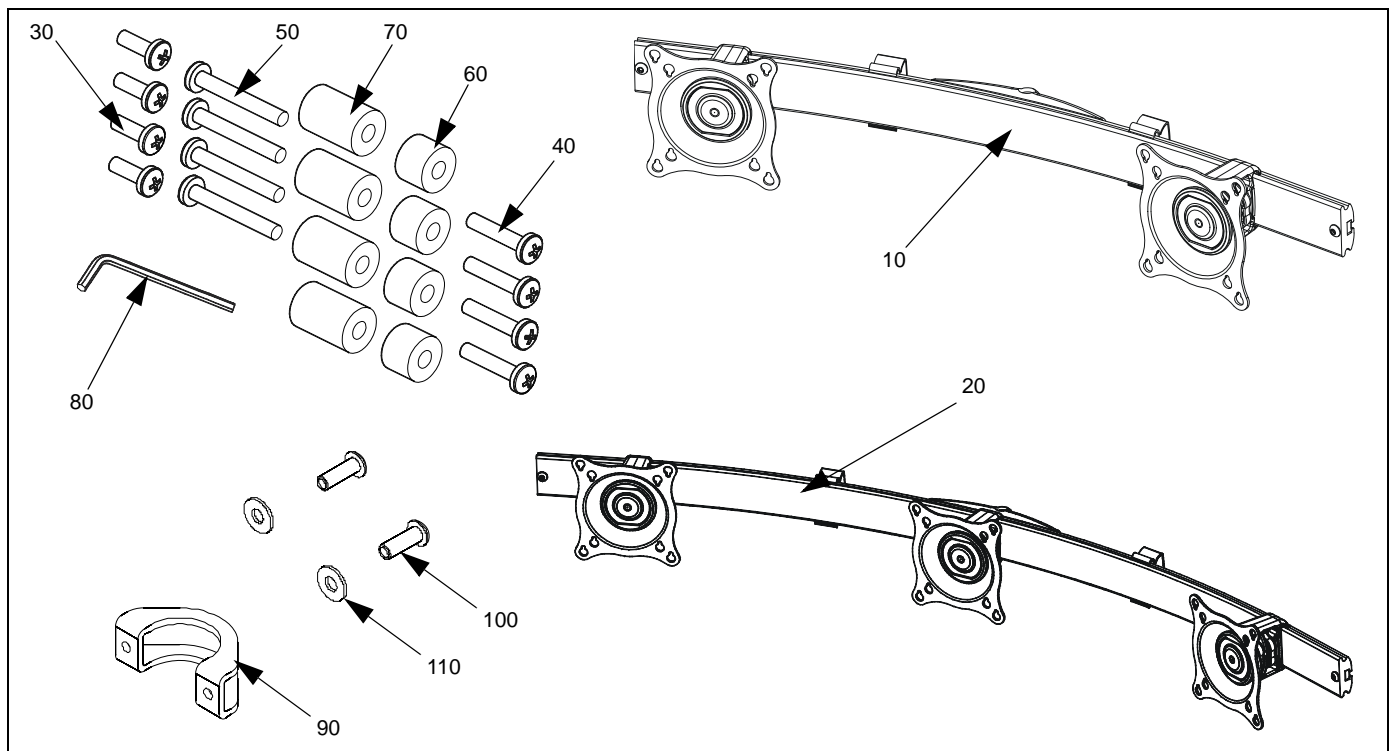


Figure 1: PARTS

INSTALLATION

1. Assemble pole clamp back (90) to pole mount front using two FW (110) and two BHCS (100) using a 5/32" hex key. (See Figure 2)
2. Secure pole mount back (90) to pole mount front and pole by tightening two BHCS (100) using a 5/32" hex key.
3. Secure pole mount back to pole mount front and pole by tightening three BHCS using 5/32" hex key.

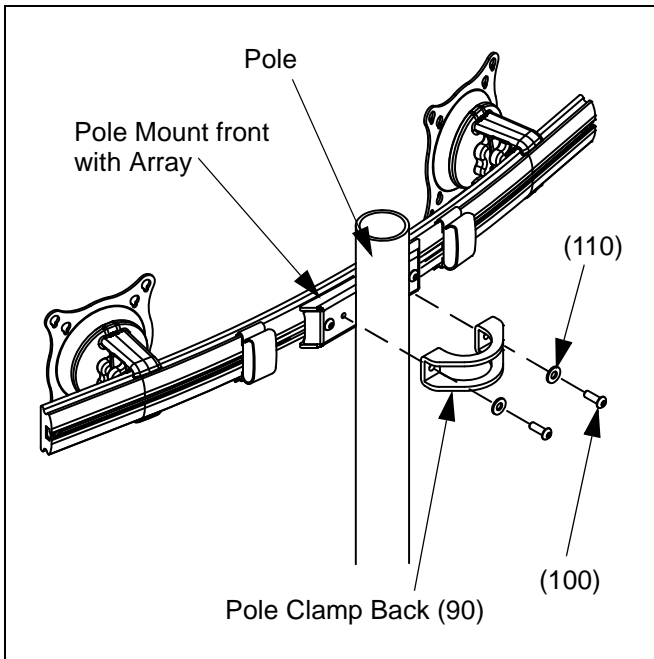


Figure 2: Mount Array on Pole

Display Installation

Attach Centris Head to Flush Mount Display



CAUTION: If display uses a screw size other than those included in the kit, DO NOT use the screws provided. Using the wrong screws could result in damage to your monitor.

1. Install two M4 x 12mm Phillips pan head screws (30) into two upper mounting holes in display back. (See Figure 3)

NOTE: DO NOT fully tighten at this time.

2. Hang display on Centris head. (See Figure 4)
3. Install bottom two M4 x 12mm Phillips pan head screws (30) through Centris head mounting holes and into lower mounting holes in display back.
4. Tighten four M4 x 12mm Phillips pan head screws (30). (See Figure 5)

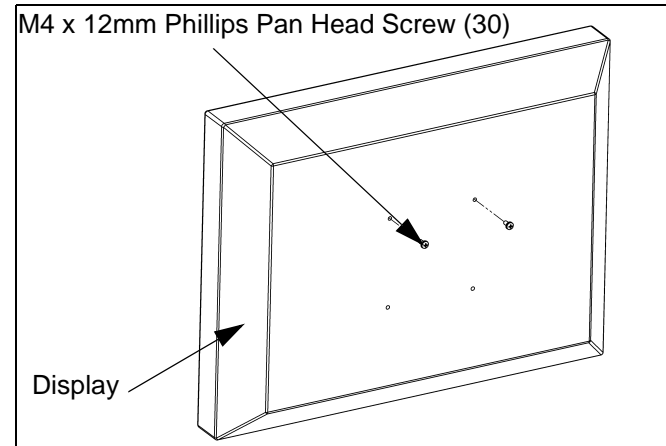


Figure 3: Prepare Display

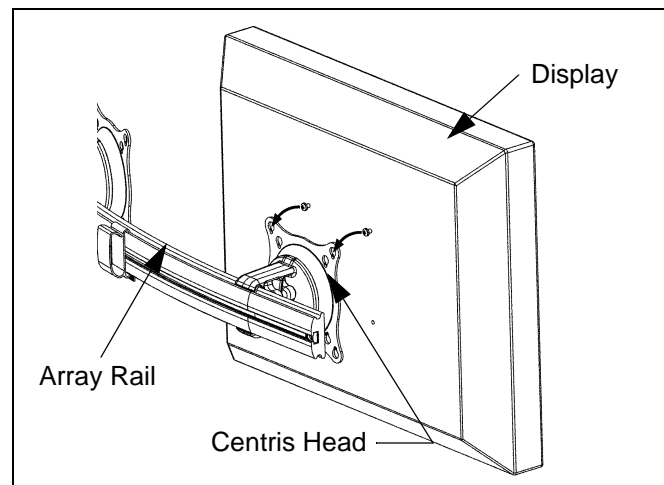


Figure 4: Hang Display

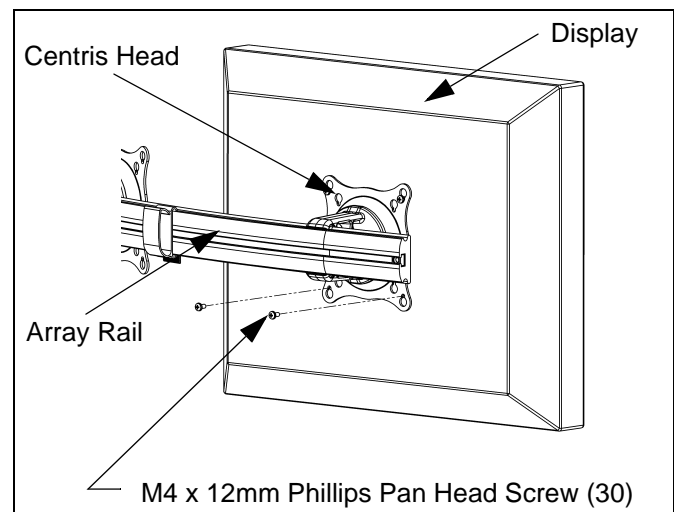


Figure 5: Secure Display to Centris Bracket

Attach Centris Head to Recessed Mount Display



CAUTION: If display uses a screw size other than those included in the kit, DO NOT use the screws provided. Using the wrong screws could result in damage to your monitor.

1. Uninstall end lock using the 5/32" hex key (80). (See Figure 6)
2. Remove Centris head from mounting rail. (See Figure 7)

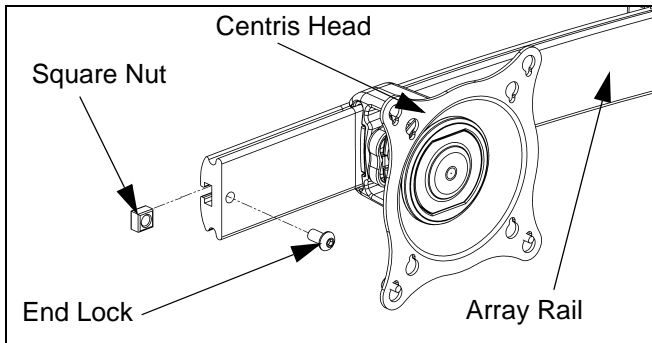


Figure 6: Remove End Lock(s)

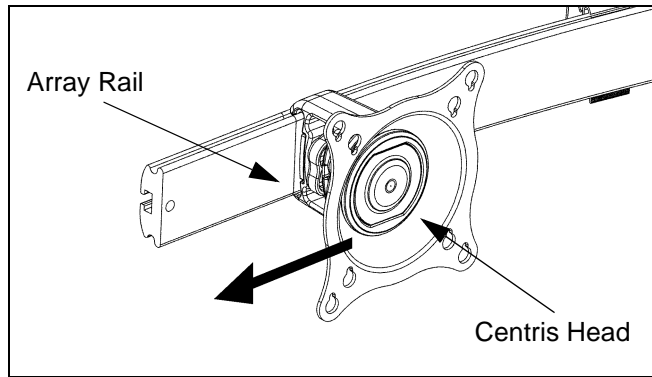


Figure 7: Slide Centris Bracket off Array Rail

3. Place display face down on a clean dry surface.
4. Place four 3/8" or 3/4" nylon spacers (60 or 70) over four mounting holes in display back.

NOTE: Refer to Table 1 to select the applicable screw and spacer combination.

5. Align Centris head mounting holes with four nylon spacers.
6. Secure Centris head to display using four M4 x 20mm Phillips pan head screws (40), or four M4 x 30mm Phillips pan head screws (50). (See Figure 8)

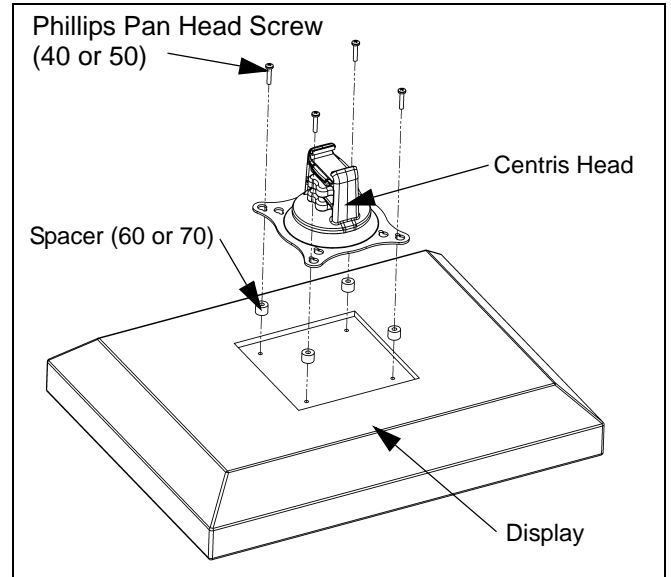


Figure 8: Mount Centris Bracket to Display

7. Slide display with Centris bracket onto mounting rail. (See Figure 9)

NOTE: Repeat previous steps for each additional display.

8. Install end locks into mounting rail using the 5/32" hex key (80). (See Figure 10)

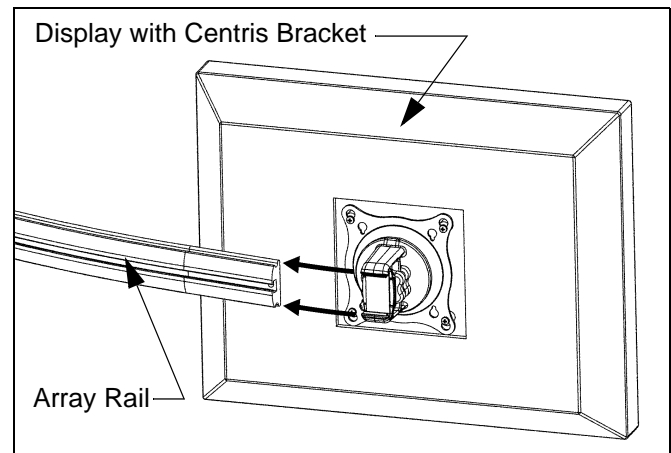


Figure 9: Mount Display with Centris Bracket to Array Rail

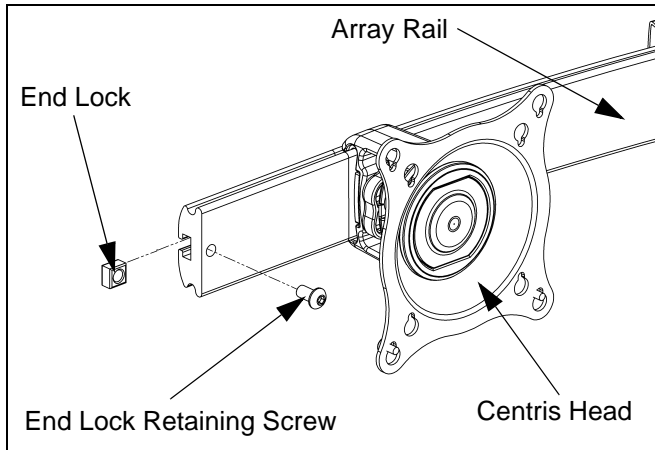


Figure 10: Install End Lock(s)

Display Adjustment

These pivot arrays allow horizontal, pitch, roll, and yaw adjustment of each display with a maximum pitch range of 15° up and 15° down.

These pivot arrays also allow a full 360 deg. of display roll.

Display Horizontal Position Adjustment

To adjust display horizontal position:

1. Loosen Centris bracket rear adjustment knob. (See Figure 11)
2. Slide Centris bracket with display left or right until properly positioned on array rail.
3. Tighten Centris bracket rear adjustment knob.

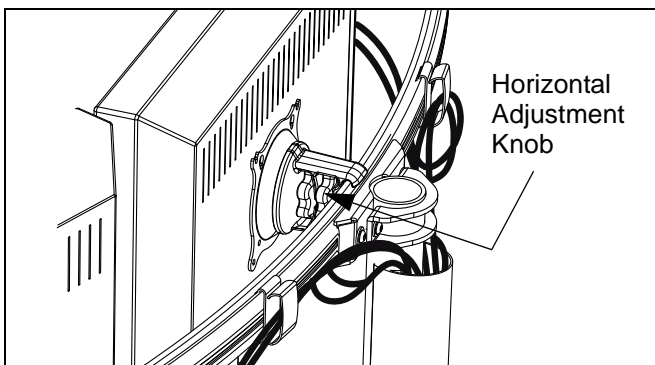


Figure 11: Display Horizontal Adjustment

Display Pitch, Roll, and Yaw Adjustment

To adjust display position:

1. Loosen Centris bracket front adjustment knob. (See Figure 12)
2. Tilt display up or down, or adjust display roll left or right until properly positioned.
3. Tighten Centris bracket front adjustment knob.

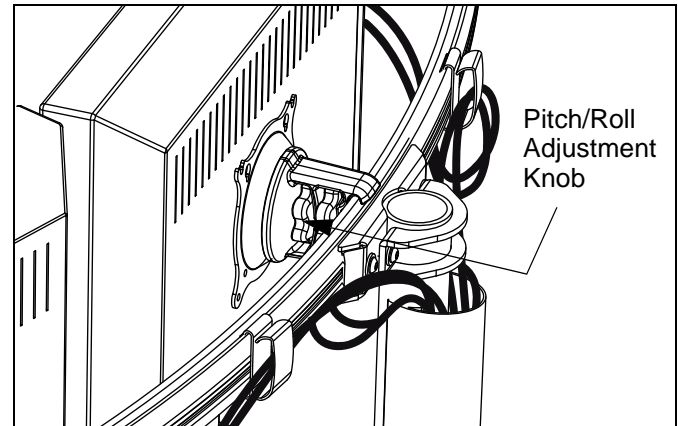


Figure 12: Display Pitch and Roll Adjustment

