
INSTALLATION INSTRUCTIONS

FSB-4100

VESA 75mm x 75mm / 100mm x 100mm INTERFACE BRACKET

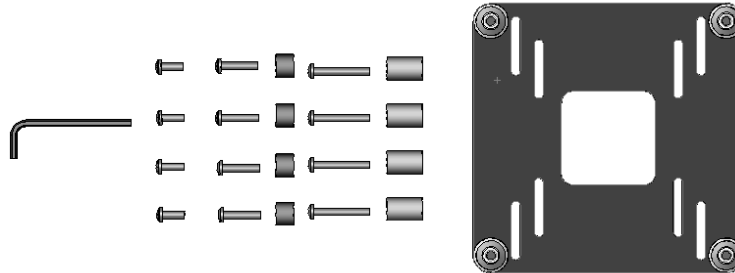


Figure 1

- | | |
|------------------------|---|
| (1) Interface Bracket | (4) M4 X 12mm Phillips Pan Heads Screws |
| (4) 3/8" Nylon Spacers | (4) M4 X 20mm Phillips Pan Heads Screws |
| (4) 3/4" Nylon Spacers | (4) M4 X 30mm Phillips Pan Heads Screws |
| (1) Hex Wrench | |

UL Approved Products

The FSB-4100 has UL approval. To view Chief's other UL approved products, check our Web site for the latest *Full-Line Product Guide* at www.chiefmfg.com.

Unpack and Inspect Parts

1. Prior to assembly, unpack carton completely and verify contents.
2. Inspect each part carefully for shipping damage. If any damage is apparent, or if you are missing any of the listed components, contact Customer Service at 1-800-582-6480.

BEFORE YOU BEGIN

- **WARNING: Improper installation may result in serious personal injury!**
- **WARNING: When mounting Chief Manufacturing accessories, the structural system and mounting method must be capable of supporting 5 times the combined weight of the total installation.**
- **WARNING: The combined weight of the display placed on the FSB-4100 must not exceed 40 pounds (18.1kg), the maximum load capacity of the mount.**
- **CAUTION:** Flat panel displays are extremely fragile. If the monitor uses a screw size other than M4 x 12mm, DO NOT use M4 screws provided. Monitor damage could occur.



CHIEF MANUFACTURING INC.
1-800-582-6480 952-894-6280 FAX 952-894-6918
8401 EAGLE CREEK PARKWAY, STE. 700
SAVAGE, MINNESOTA 55378 USA

8804-000025 (Rev. B)
2004 Chief Manufacturing
www.chiefmfg.com
12/04

Instructions

1. Read the installation instructions completely before proceeding.
2. If the flat panel display has a table stand attached, remove the existing stand.

CAUTION: Flat panel displays are extremely fragile.

Flush Mount

1. Secure the adapter plate to the flat panel display using M4 x 12mm screws (see Figure 2).

Recessed Mount

1. Place four Nylon spacers (3/8" or 3/4" as necessary) over four mounting holes in flat panel display (see Figure 3).
2. Secure interface bracket to display using four M4 x 20mm screws with 3/8" Nylon spacers or four M4 x 30mm screws with 3/4" Nylon spacers.

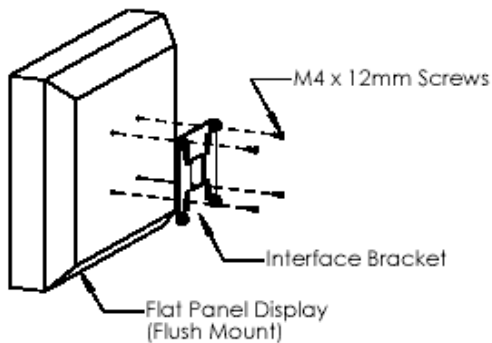


Figure 2

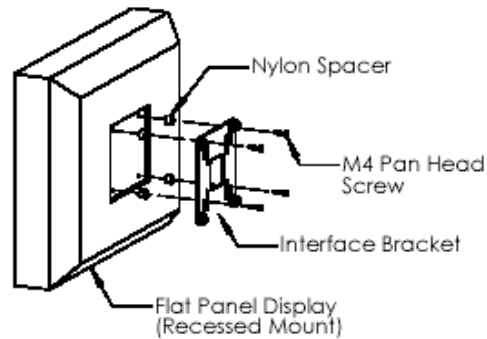


Figure 3