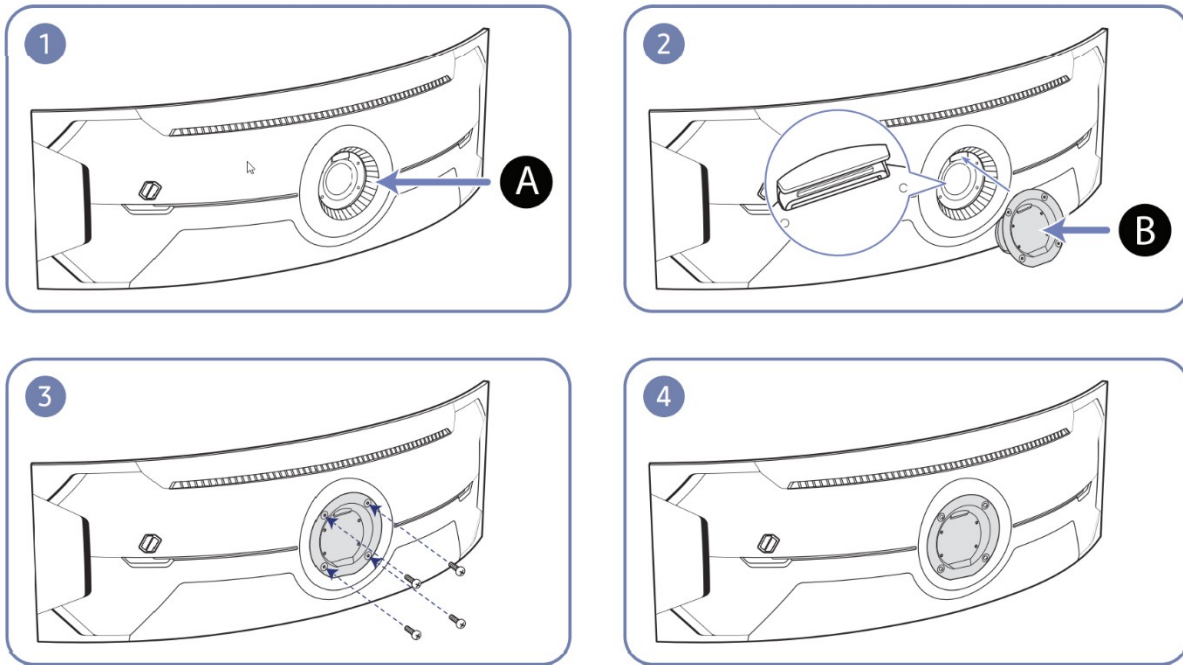


## How to install VESA adapter on Samsung Odyssey G9 monitor?

C49G9\*T\*



- 1) The EDM-49G9 comes with two tilters, one that is exclusively for ultra-curved 49" monitors like the Samsung G9, whose depth is more than 6" and the other one is for ultrawide 49" monitors, whose depth is less than 6".
- 2) Please remember that the tilter and the VESA adapter cannot be installed on the monitor without the bracket wall as shown in – B figure 2. Please remember that your monitor must be configured to accept a VESA pattern of 100x100mm or 75x75mm prior to installing the arm. For most arms this means removing the stand. But some models like the Samsung Odyssey G9, pictured above, may require an adapter which is usually included with the monitor.
- 3) The bracket wall is included with Samsung G9 display. It is not a part of the wall mount or the monitor arm.
- 4) Please see this [installation video](#) for further clarity.