






Monitor Arm Specifications Guide

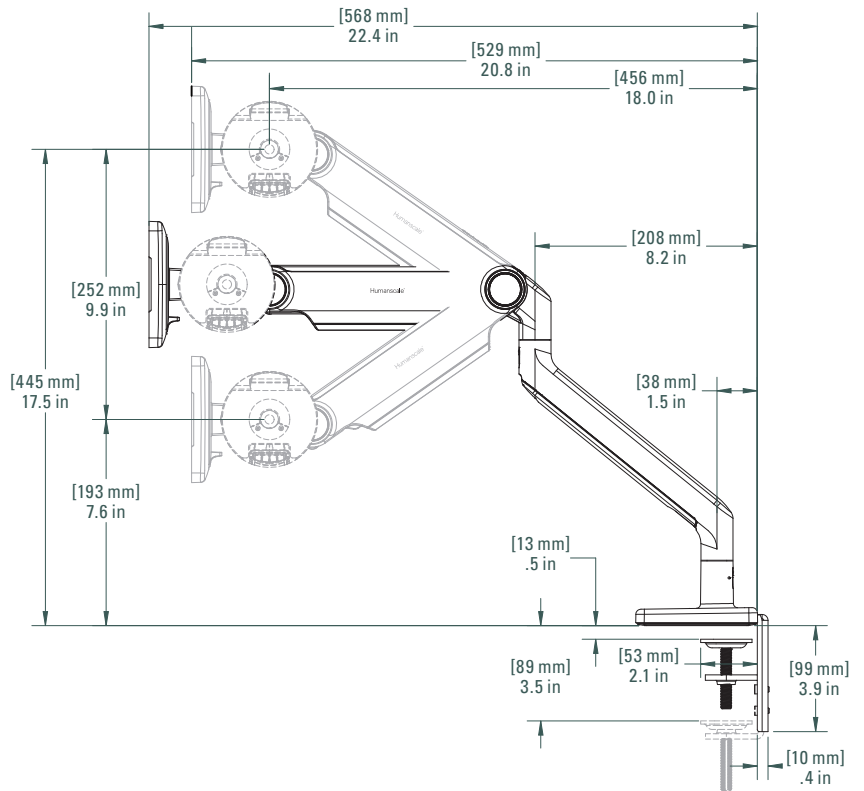


Humanscale®

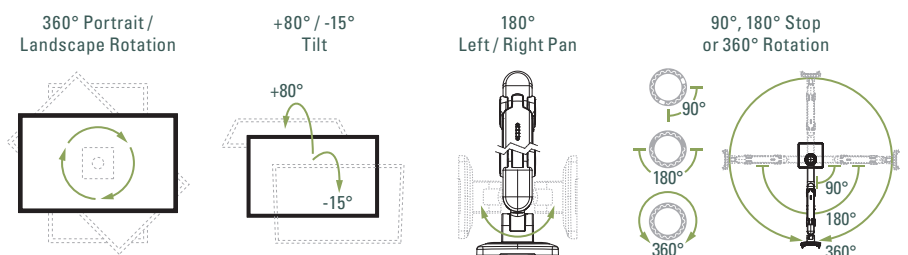
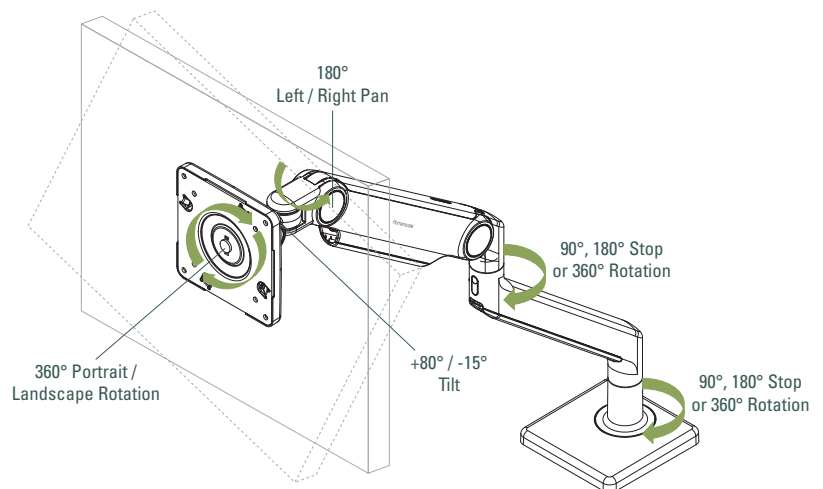
M21CMxBTB

AVAILABLE COLORS		
	Black with black trim	
	Silver with gray trim	
	Polished aluminum with white trim	
MONITOR WEIGHT RANGE		
WT	5.5 to 15.5 lbs	2.5 to 7.0 kg
PRODUCT WEIGHT		
WT	5.9 lbs	2.7 kg
SHIPPING: 5 PACK		
L	31 in	790 mm
W	24 in	620 mm
H	7 in	170 mm
WT	37.0 lbs	16.7 kg
SHIPPING: INDIVIDUAL PACK		
L	23.75 in	605 mm
W	15.75 in	400 mm
H	7.50 in	190 mm
WT	9.0 lbs	4.0 kg
NOTES		
<ul style="list-style-type: none"> The VESA bracket cover is black. Clamp can be separated into two pieces to accommodate installation where a panel is adjacent to the work surface. Clamp can be flipped to accommodate desks up to 3.5 in (89 mm) thick. 		




DIMENSIONS



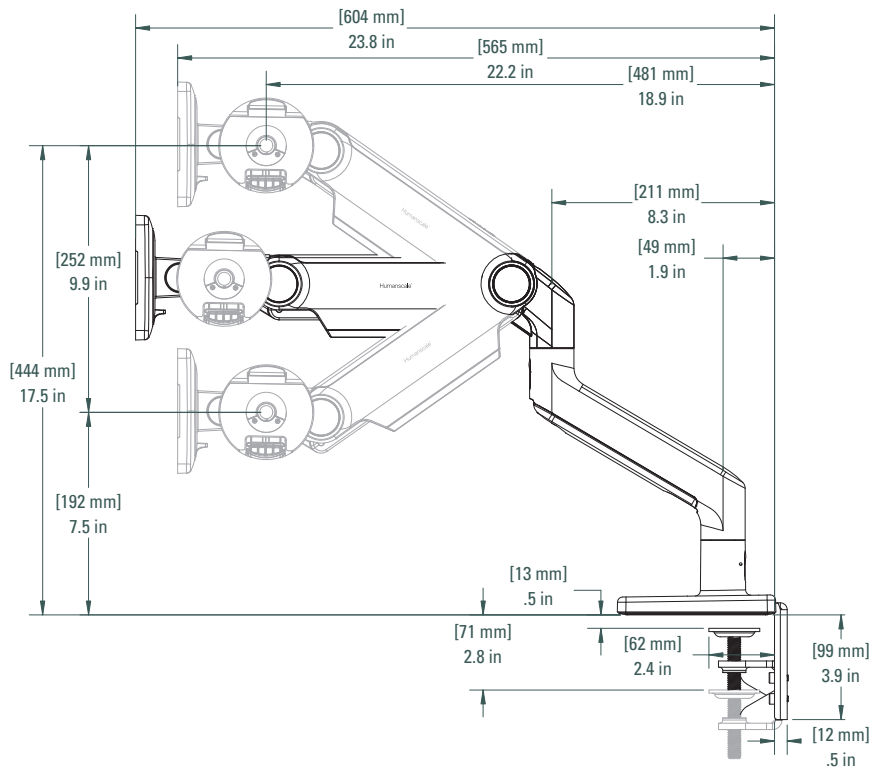
ROTATION/TILT



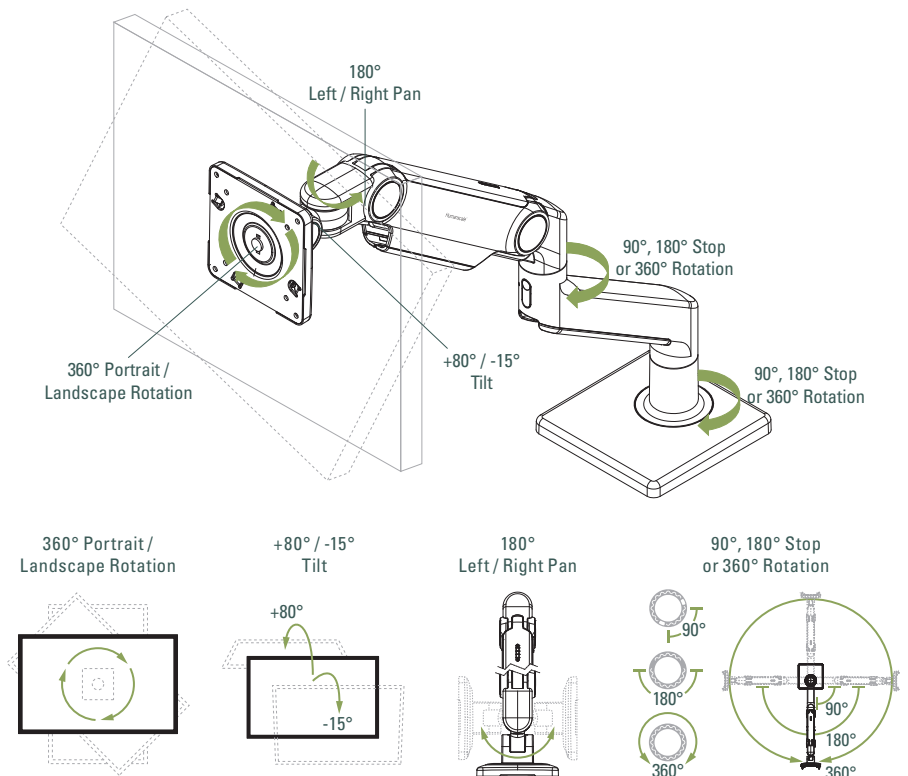
M81CMxBTB

AVAILABLE COLORS		
	Black with black trim	
	Silver with gray trim	
	Polished aluminum with white trim	
MONITOR WEIGHT RANGE		
WT	6.0 to 28.0 lbs	2.7 to 12.5 kg
PRODUCT WEIGHT		
WT	11.0 lbs	5.0 kg
SHIPPING: 2 PACK		
L	23.5 in	600 mm
W	18.5 in	470 mm
H	7.0 in	180 mm
WT	25.5 lbs	11.5 kg
SHIPPING: INDIVIDUAL PACK		
L	23.75 in	605 mm
W	15.75 in	400 mm
H	7.5 in	190 mm
WT	13.5 lbs	6.0 kg
NOTES		
<ul style="list-style-type: none"> The VESA bracket cover is black. Clamp can be separated into two pieces to accommodate installation where a panel is adjacent to the work surface. Clamp can be flipped to accommodate desks up to 2.8 in (71 mm) thick. 		




DIMENSIONS



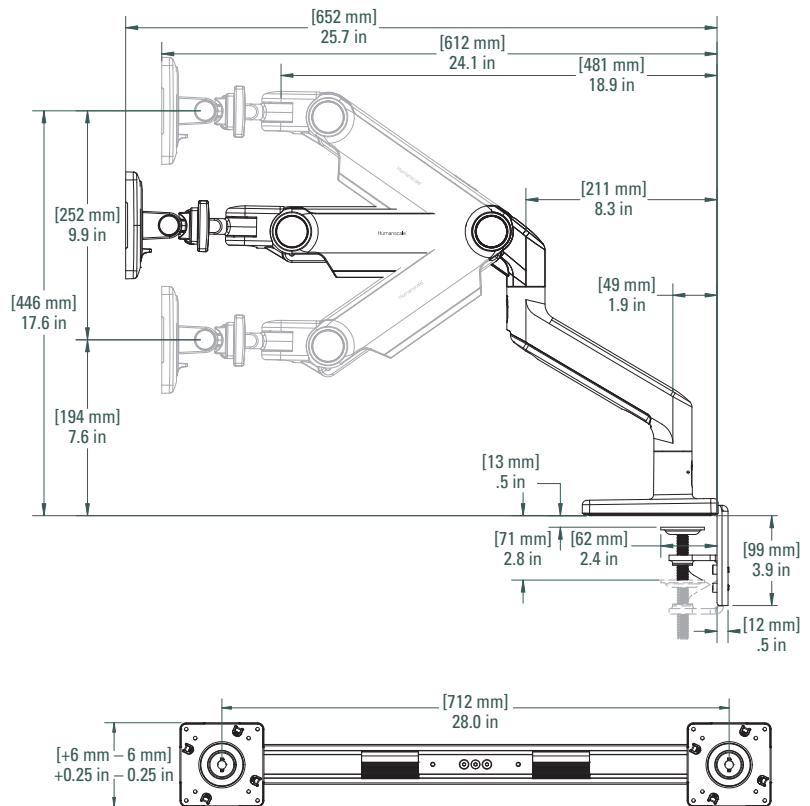
ROTATION/TILT



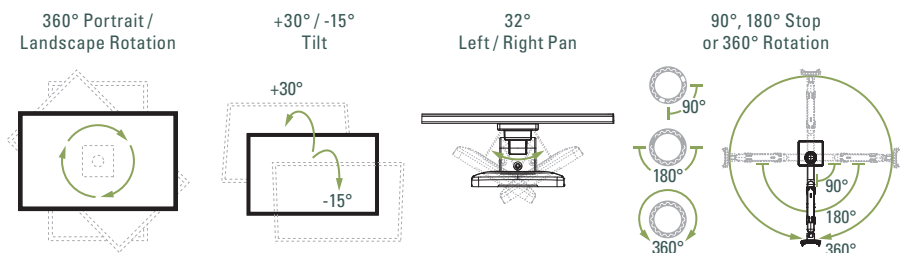
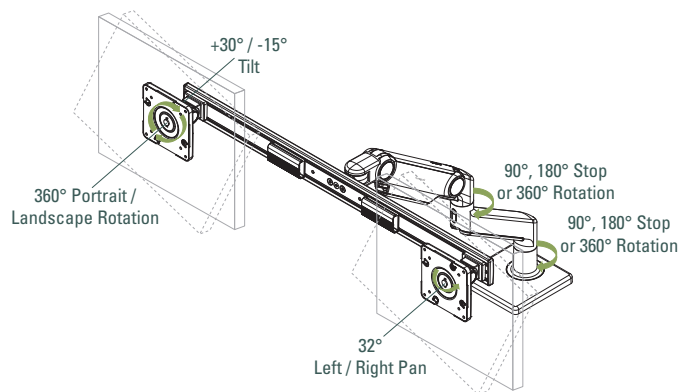
M81CMxB2B

AVAILABLE COLORS		
	Black with black trim	
	Silver with gray trim	
	Polished aluminum with white trim	
TOTAL MONITOR WEIGHT RANGE		
WT	2.75 to 24.75 lbs	1.25 to 11.20 kg
MAX. ACTUAL MONITOR WIDTH (TWO MONITORS)		
W	28 in	712 mm
PRODUCT WEIGHT		
WT	14.25 lbs	6.5 kg
SHIPPING – INDIVIDUAL PACK ONLY		
L	33 in	835 mm
W	12 in	300 mm
H	7 in	180 mm
WT	18 lbs	8 kg
NOTES		
<ul style="list-style-type: none"> • The VESA bracket cover is black. • The crossbar color matches the arm. • Clamp can be separated into two pieces to accommodate installation where a panel is adjacent to the work surface. • Clamp can be flipped to accommodate desks up to 2.8 in (71 mm) thick. 		




DIMENSIONS



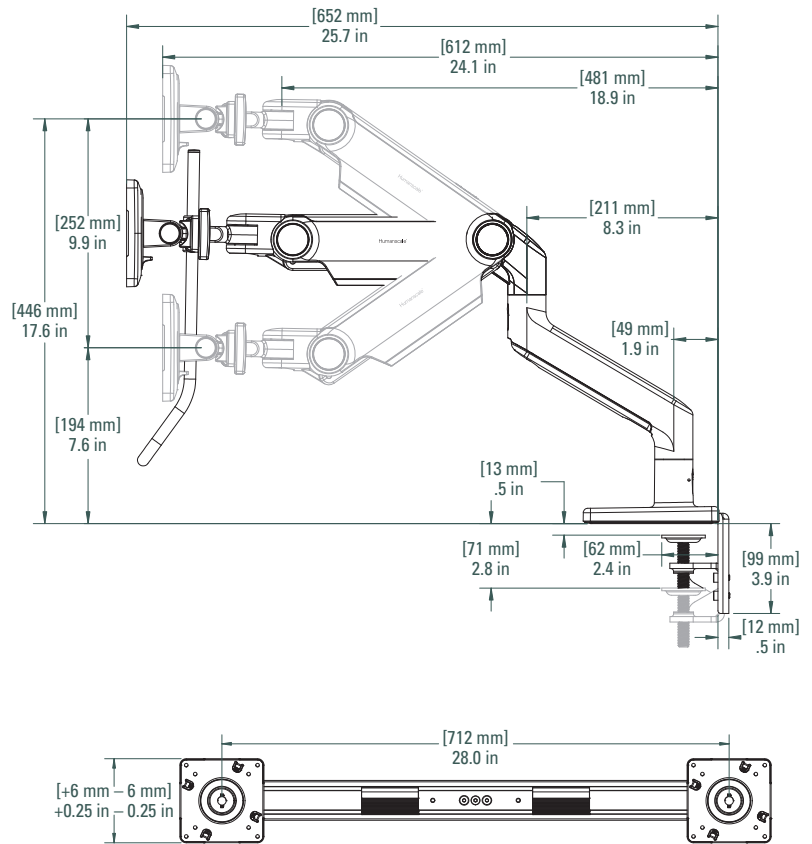
ROTATION/TILT



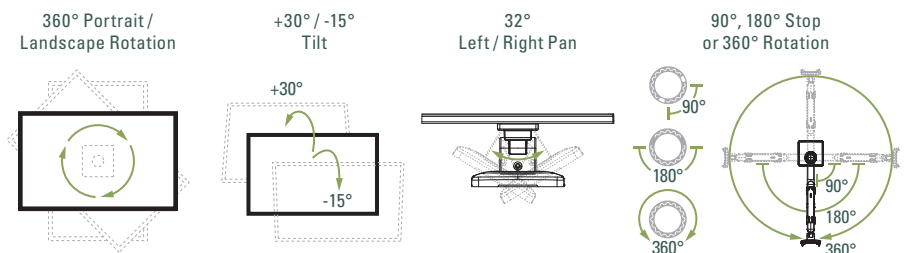
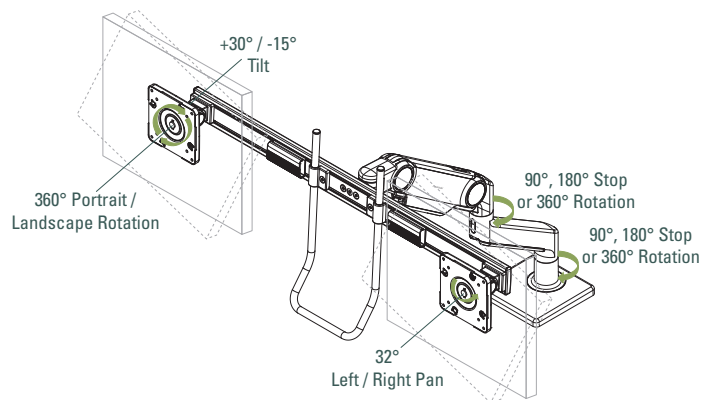
M81CMxBHB

AVAILABLE COLORS		
	Black with black trim	
	Silver with gray trim	
	Polished aluminum with white trim	
TOTAL MONITOR WEIGHT RANGE		
WT	2.25 to 24.25 lbs	1 to 11 kg
MAX. ACTUAL MONITOR WIDTH (TWO MONITORS)		
W	28 in	712 mm
PRODUCT WEIGHT		
WT	18.5 lbs	8.4 kg
SHIPPING – INDIVIDUAL PACK ONLY		
L	33 in	835 mm
W	12 in	300 mm
H	7 in	180 mm
WT	18 lbs	8 kg
NOTES		
<ul style="list-style-type: none"> • The VESA bracket cover is black. • The crossbar color matches the arm. • Clamp can be separated into two pieces to accommodate installation where a panel is adjacent to the work surface. • Clamp can be flipped to accommodate desks up to 2.8 in (71 mm) thick. 		




DIMENSIONS



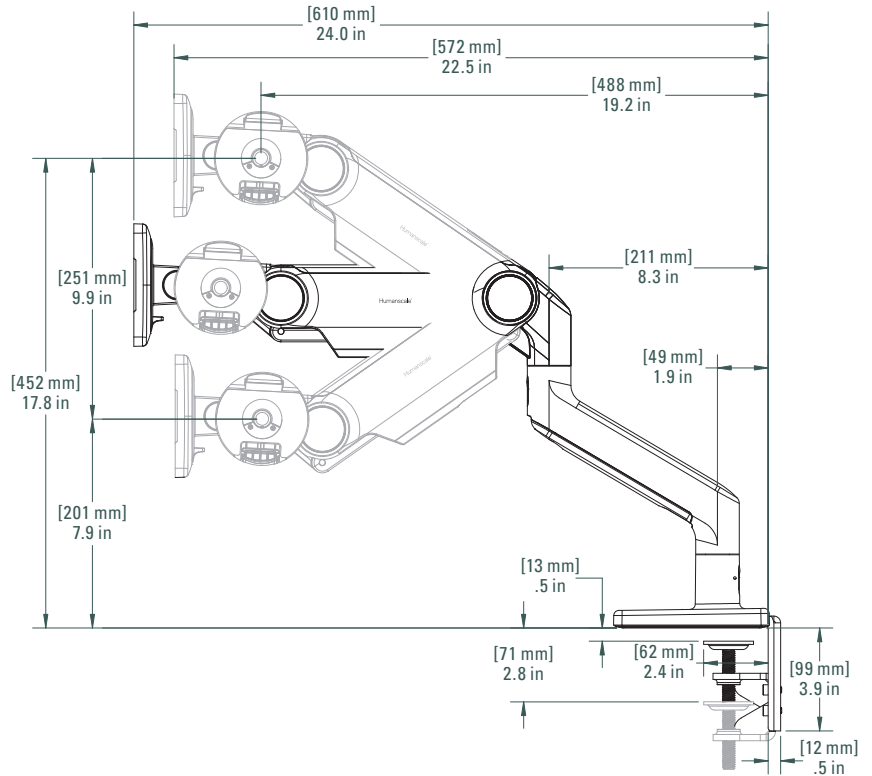
ROTATION/TILT



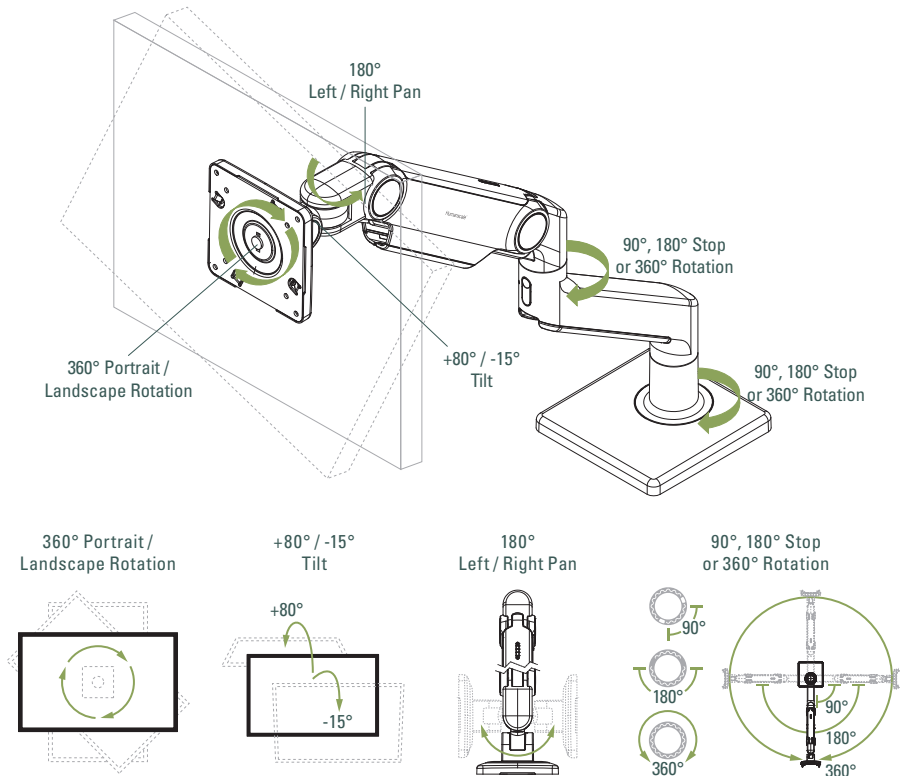
M10CMxBTB

AVAILABLE COLORS		
	Black with black trim	
	Silver with gray trim	
	Polished aluminum with white trim	
MONITOR WEIGHT RANGE		
WT	20.0 to 48.0 lbs	9.0 to 21.8 kg
PRODUCT WEIGHT		
WT	11.5 lbs	5.2 kg
SHIPPING – TWO PACK		
L	24.0 in	610 mm
W	19.0 in	485 mm
H	7.5 in	190 mm
WT	26.5 lbs	12.0 kg
SHIPPING – INDIVIDUAL PACK ONLY		
L	23.75 in	605 mm
W	15.75 in	400 mm
H	7.50 in	190 mm
WT	14.0 lbs	6.4 kg
NOTES		
<ul style="list-style-type: none"> • The VESA bracket cover is black. • Clamp can be separated into two pieces to accommodate installation where a panel is adjacent to the work surface. • Clamp can be flipped to accommodate desks up to 2.8 in thick. 		




DIMENSIONS



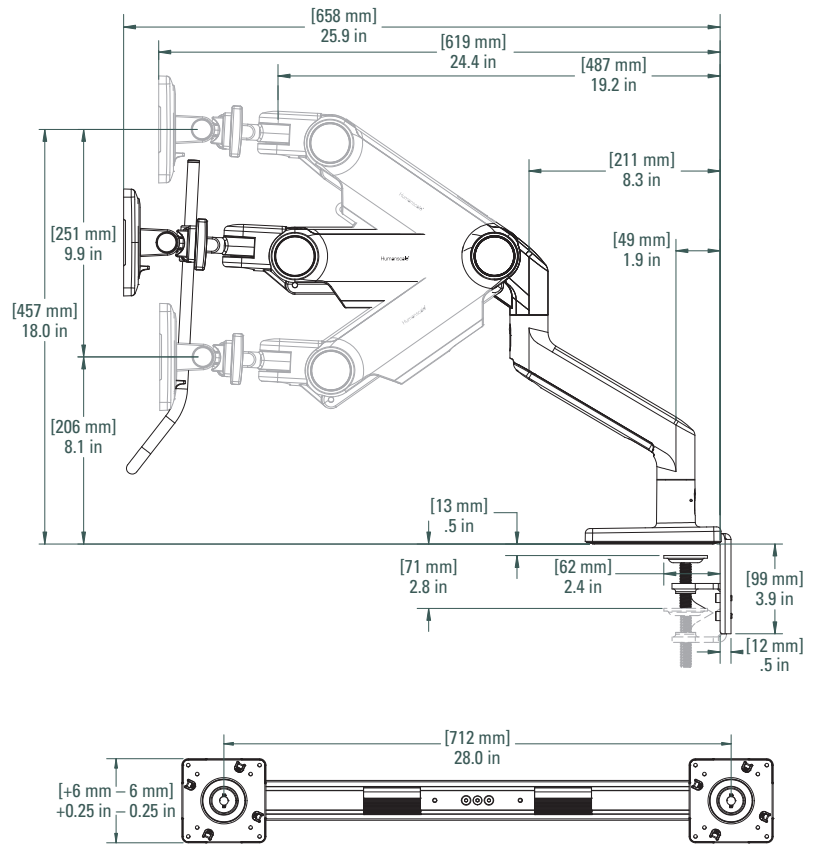
ROTATION/TILT



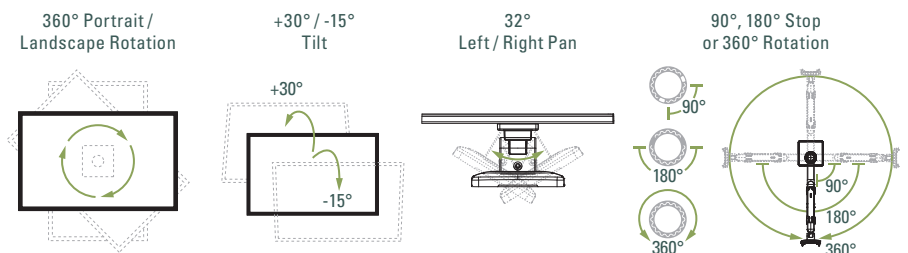
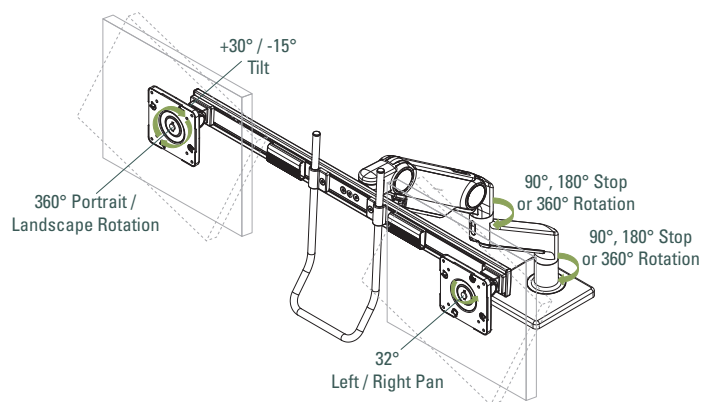
M10CMxBHB

AVAILABLE COLORS		
	Black with black trim	
	Silver with gray trim	
	Polished aluminum with white trim	
TOTAL MONITOR WEIGHT RANGE		
WT	16.25 to 44.25 lbs	7.4 to 20.0 kg
MAX. ACTUAL MONITOR WIDTH (TWO MONITORS)		
W	28 in	712 mm
PRODUCT WEIGHT		
WT	15 lbs	7 kg
SHIPPING – INDIVIDUAL PACK ONLY		
L	33 in	835 mm
W	12 in	300 mm
H	7 in	180 mm
WT	18 lbs	8 kg
NOTES		
<ul style="list-style-type: none"> • The VESA bracket cover is black. • The crossbar color matches the arm. • Clamp can be separated into two pieces to accommodate installation where a panel is adjacent to the work surface. • Clamp can be flipped to accommodate desks up to 2.8 in (71 mm) thick. 		




DIMENSIONS



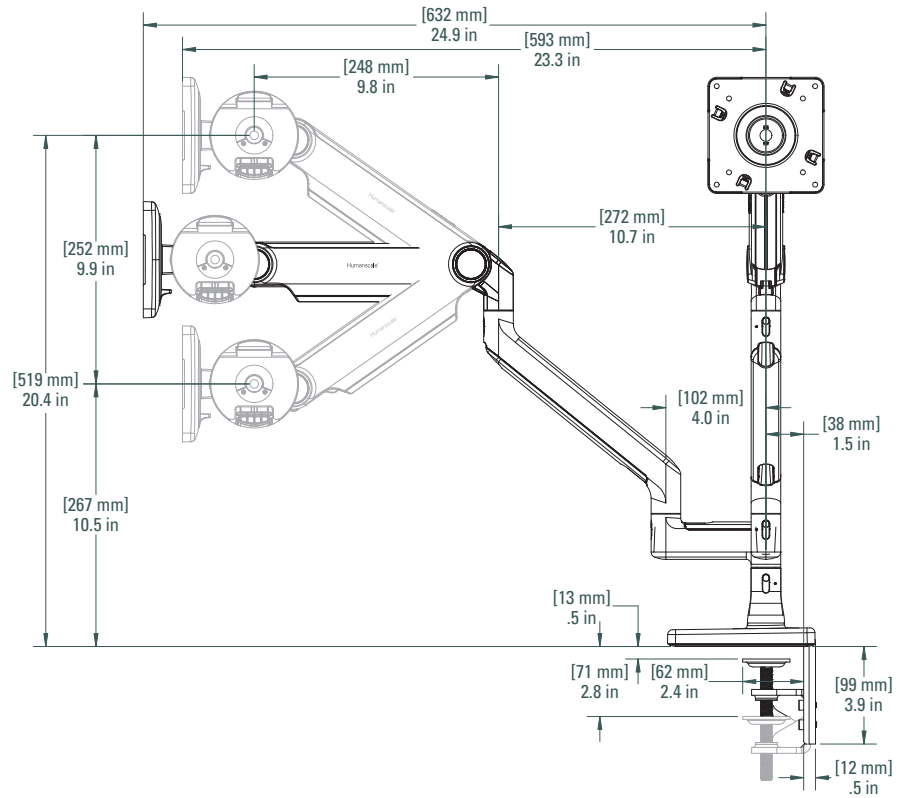
ROTATION/TILT



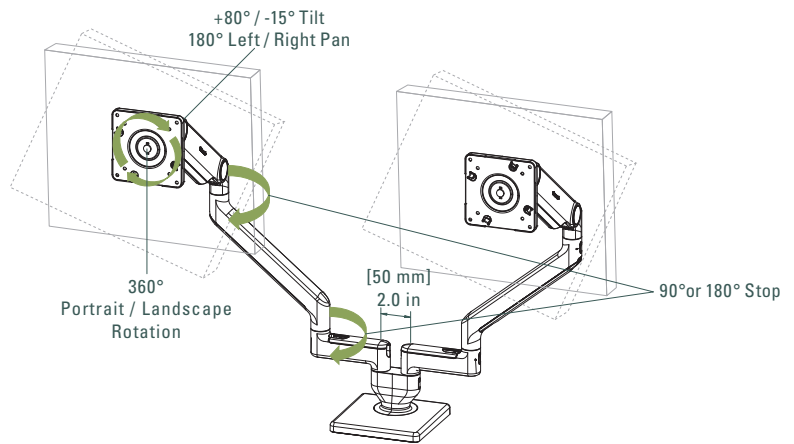
X22CMxMTBMTB

AVAILABLE COLORS		
	Black with black trim	
	Silver with gray trim	
	Polished aluminum with white trim	
MONITOR WEIGHT RANGE (PER ARM)		
WT	5.5 to 15.5 lbs	2.5 to 7.0 kg
MAX. ACTUAL MONITOR WIDTH		
W	43 in	1,090 mm
PRODUCT WEIGHT		
WT	14 lbs	6 kg
SHIPPING – INDIVIDUAL PACK ONLY		
L	19 in	485 mm
W	19 in	485 mm
H	7 in	180 mm
WT	18.5 lbs	8.5 kg
NOTES		
<ul style="list-style-type: none"> • The VESA bracket cover is black. • Clamp can be separated into two pieces to accommodate installation where a panel is adjacent to the work surface. • Clamp can be flipped to accommodate desks up to 2.8 in (71 mm) thick. 		

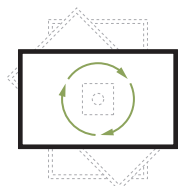
DIMENSIONS



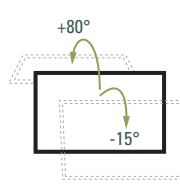
ROTATION/TILT



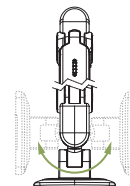
360° Portrait / Landscape Rotation



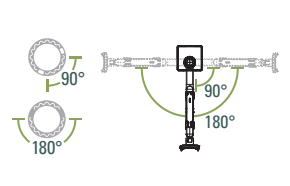
+80° / -15° Tilt






180° Left / Right Pan



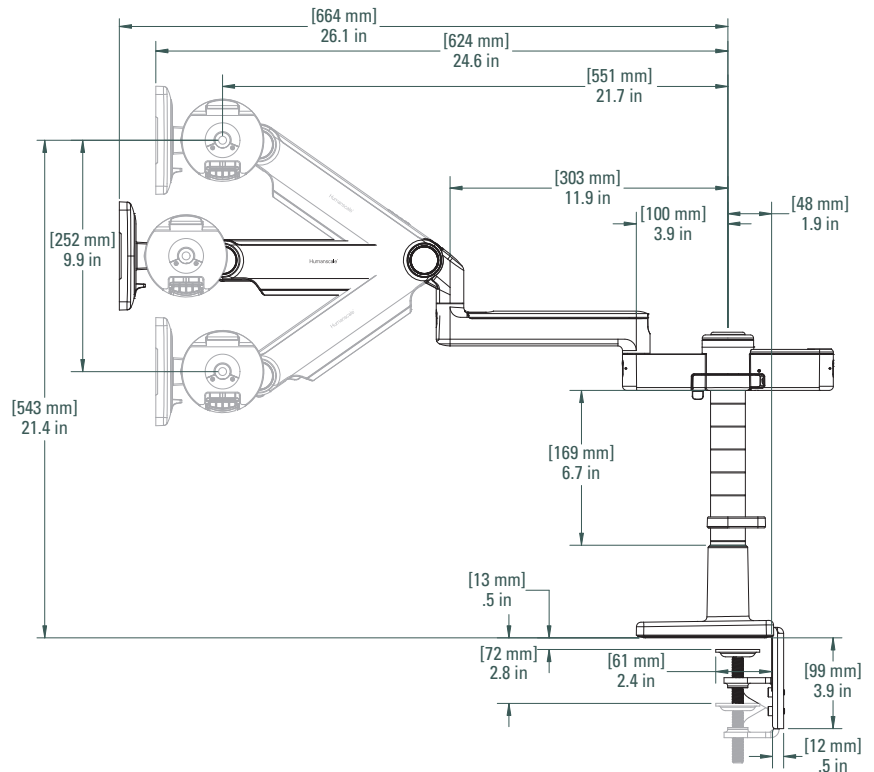
90° or 180° Stop



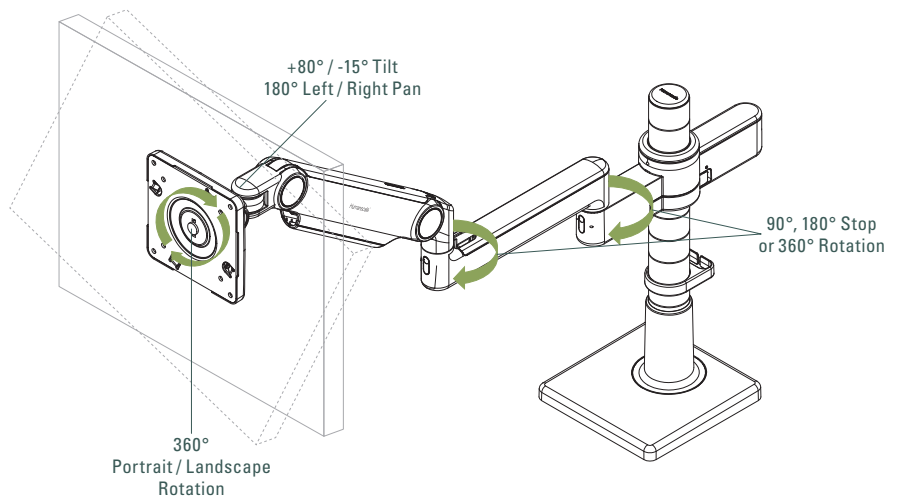
X2ACMxETB12

AVAILABLE COLORS		
	Black with black trim	
	Silver with gray trim	
	Polished aluminum with white trim	
MONITOR WEIGHT RANGE		
WT	5.5 to 15.5 lbs	2.5 to 7.0 kg
HEIGHT ADJUSTMENT		
DYNAMIC	9.9 in	252 mm
STATIC	6.7 in	169 mm
PRODUCT WEIGHT		
WT	10.5 lbs	4.75 kg
SHIPPING – INDIVIDUAL PACK ONLY		
L	18.5 in	475 mm
W	10.5 in	270 mm
H	14.0 in	355 mm
WT	15.5 lbs	7 kg
NOTES		
<ul style="list-style-type: none"> The VESA bracket cover is black. Clamp can be separated into two pieces to accommodate installation where a panel is adjacent to the work surface. Clamp can be flipped to accommodate desks up to 2.8 in (71 mm) thick. 		

DIMENSIONS



ROTATION/TILT

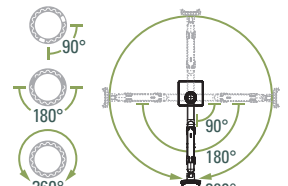
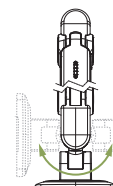
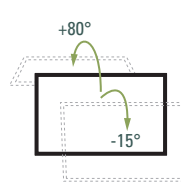


360° Portrait / Landscape Rotation




+80° / -15° Tilt

180° Left / Right Pan

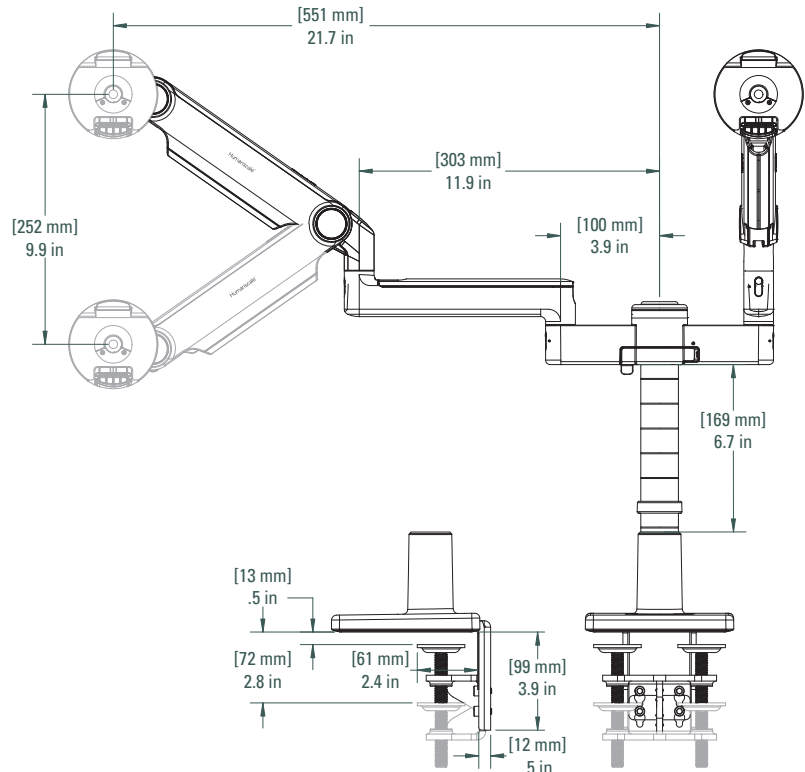
90°, 180° Stop or 360° Rotation



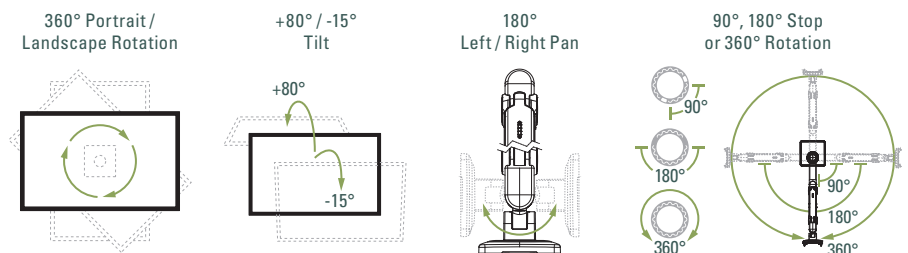
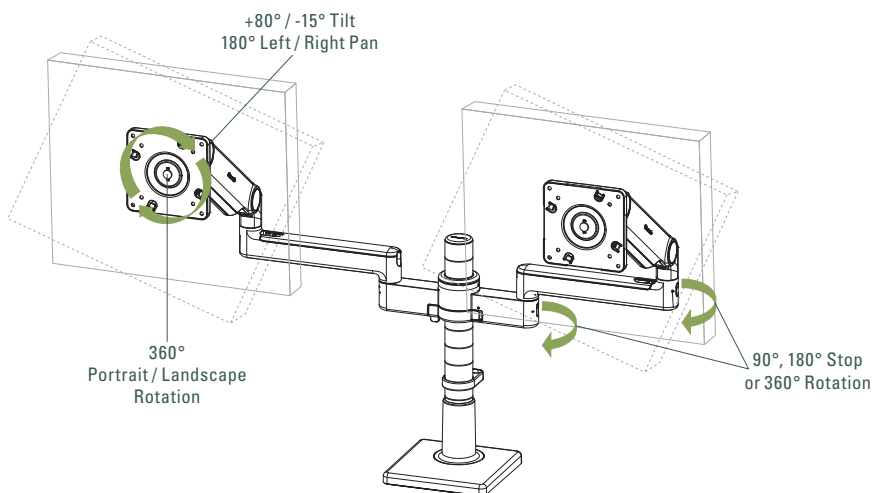
X2BCMxETBETB12

AVAILABLE COLORS		
	Black with black trim	
	Silver with gray trim	
	Polished aluminum with white trim	
MONITOR WEIGHT RANGE (PER ARM)		
WT	5.5 to 15.5 lbs	2.5 to 7.0 kg
MAX. ACTUAL MONITOR WIDTH		
W	43.4 in	1,102 mm
HEIGHT ADJUSTMENT		
DYNAMIC	9.9 in	252 mm
STATIC	6.7 in	169 mm
PRODUCT WEIGHT		
WT	15 lbs	6.75 kg
SHIPPING – INDIVIDUAL PACK ONLY		
L	18.5 in	475 mm
W	10.5 in	270 mm
H	19.0 in	485 mm
WT	21.5 lbs	9.5 kg
NOTES		
<ul style="list-style-type: none"> • The VESA bracket cover is black. • Clamp can be separated into two pieces to accommodate installation where a panel is adjacent to the work surface. • Clamp can be flipped to accommodate desks up to 2.8 in (71 mm) thick. 		

DIMENSIONS






ROTATION/TILT



M2.1 Standard Clamp & Base

AVAILABLE COLORS

	Black with black trim
	Silver with gray trim
	Polished aluminum with white trim

MAX. WEIGHT CAPACITY

WT	15.5 lbs	7.0 kg
----	----------	--------

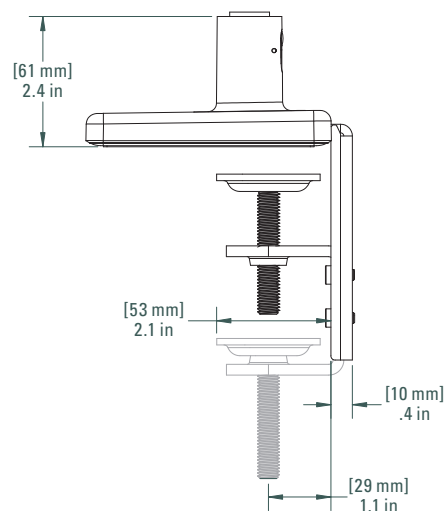
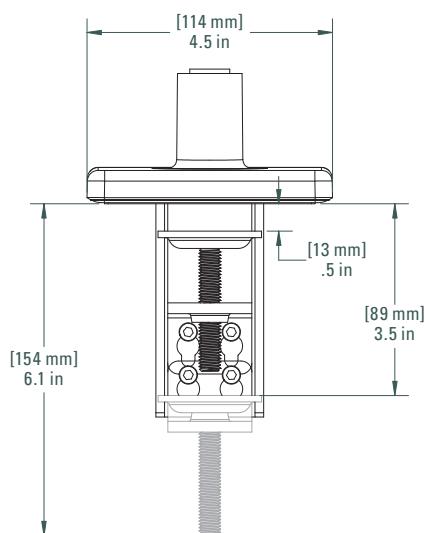
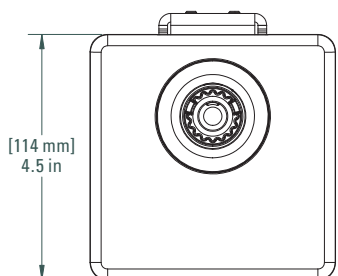
PRODUCT WEIGHT

WT	1.9 lbs	0.9 kg
----	---------	--------

NOTES




- Clamp can be separated into two pieces to accommodate installation where a panel is adjacent to the work surface.
- Clamp can be flipped to accommodate desks up to 3.5 in thick.

DIMENSIONS



M2.1 Bolt-Through Mount & Base

AVAILABLE COLORS

	Black with black trim
	Silver with gray trim
	Polished aluminum with white trim

MAX. WEIGHT CAPACITY

WT	15.5 lbs	7.0 kg
----	----------	--------

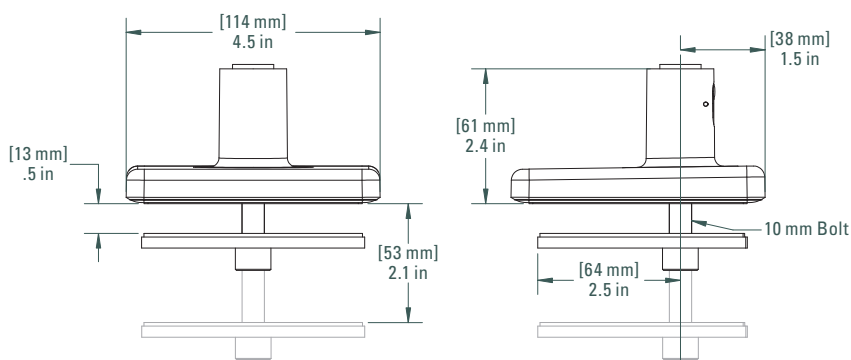
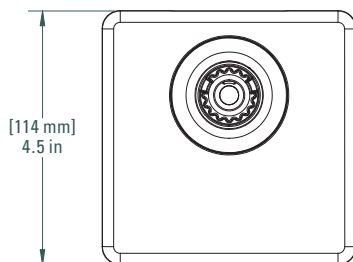
PRODUCT WEIGHT

WT	1.6 lbs	0.7 kg
----	---------	--------




NOTES

- Bolt-Through mount contains three different lengths of bolt.
 - M10 x 1.5 x 50 mm Socket Head Cap Screw
 - M10 x 1.5 x 75 mm Socket Head Cap Screw
 - M10 x 1.5 x 90 mm Socket Head Cap Screw
- The minimum grommet hole size is ½ in (13 mm).
- The maximum grommet hole size is 3 in (76 mm).
- The hex key included with the Bolt-Through mount is 8 mm.
- The same Bolt-Through hardware is used for M8.1 and M10.

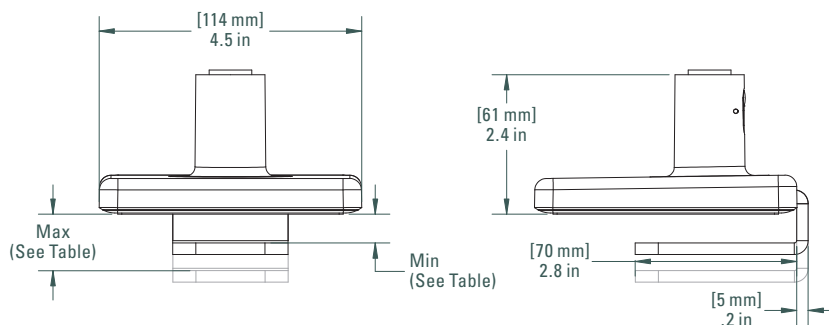
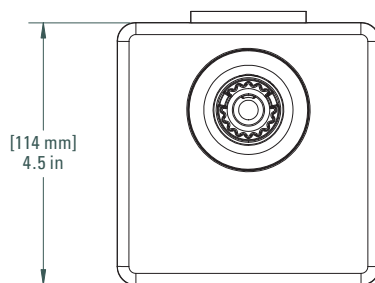
DIMENSIONS






M2.1 Sliding Desk Clamp & Base

AVAILABLE COLORS				
	Black with black trim			
	Silver with gray trim			
	Polished aluminum with white trim			
MAX. WEIGHT CAPACITY				
WT	15.5 lbs		7.0 kg	
PRODUCT WEIGHT				
WT	1.5 lbs		0.6 kg	
SPECIFICATIONS				
SIZE	MIN. DESK THICKNESS		MAX. DESK THICKNESS	
12 mm	0.37 in	9.5 mm	0.57 in	14.5 mm
18 mm	0.61 in	15.5 mm	0.80 in	20.5 mm
25 mm	0.86 in	22.5 mm	1.08 in	27.5 mm
30 mm	1.08 in	27.5 mm	1.30 in	32.5 mm

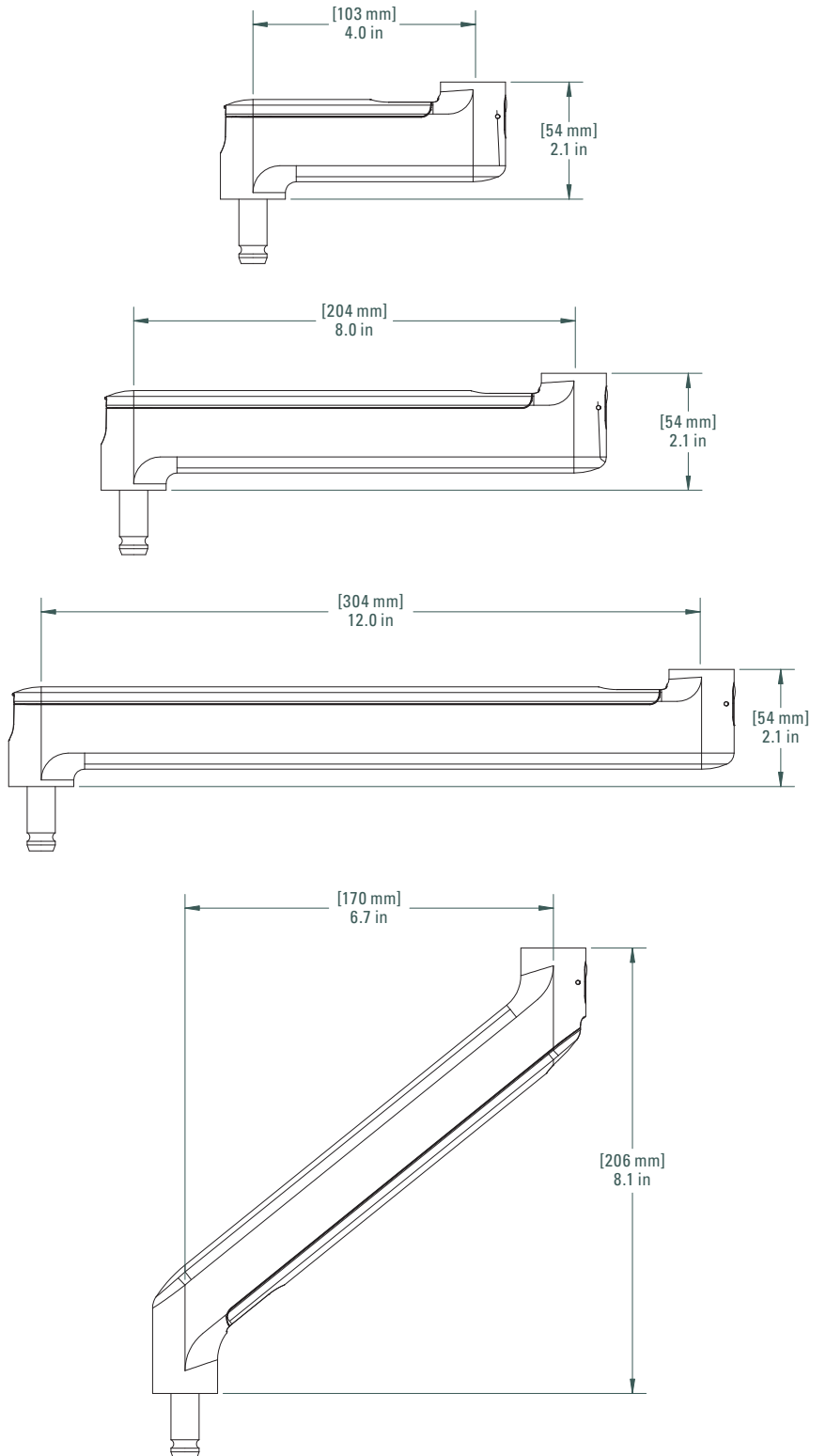
DIMENSIONS






M2.1 Static Arm Links

AVAILABLE COLORS		
	Black with black trim	
	Silver with gray trim	
	Polished aluminum with white trim	
MAX. WEIGHT CAPACITY		
WT	15.5 lbs	7.0 kg
SPECIFICATIONS		
4 in	0.6 lbs	0.3 kg
8 in	0.9 lbs	0.4 kg
12 in	1.3 lbs	0.6 kg
ANGLED	0.9 lbs	0.4 kg

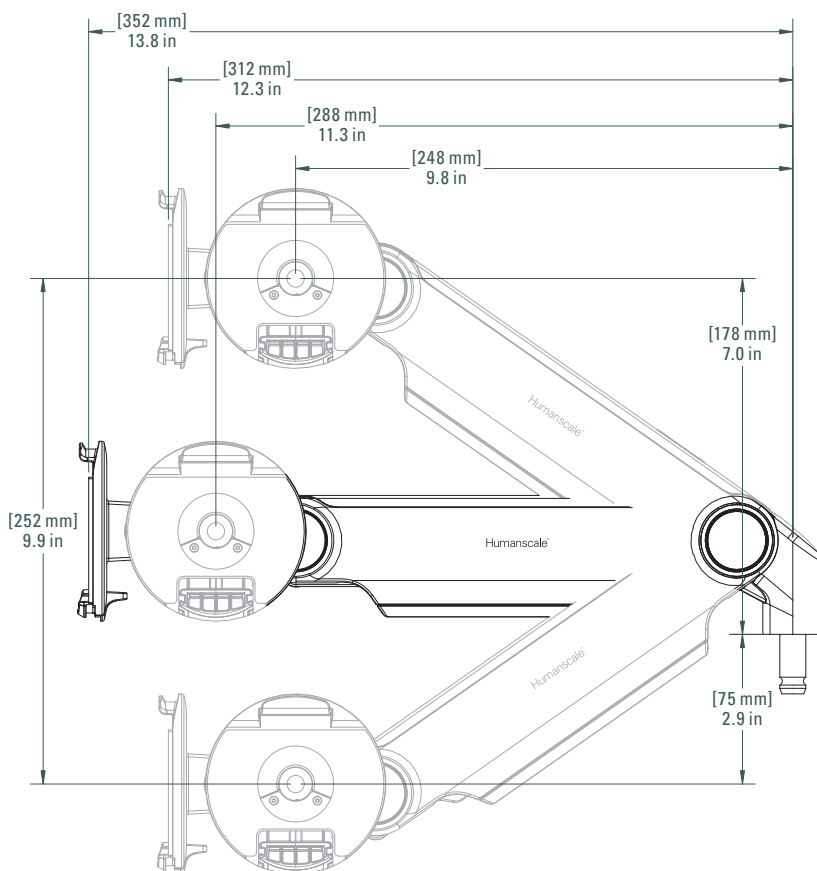
DIMENSIONS



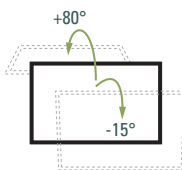
M2.1 Dynamic Link With Standard Tilt

AVAILABLE COLORS		
	Black with black trim	
	Silver with gray trim	
	Polished aluminum with white trim	
MONITOR WEIGHT RANGE		
WT	5.5 to 15.5 lbs	2.5 to 7.0 kg
WEIGHT		
WT	2.8 lbs	1.3 kg
NOTES		
<ul style="list-style-type: none"> The center of the tilt mechanism can range from 2.9 in (75 mm) below the top of the mount to 7 in (178 mm) above the top of the mount. 		

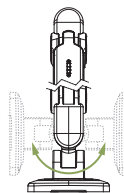
DIMENSIONS






+80° / -15°
Tilt



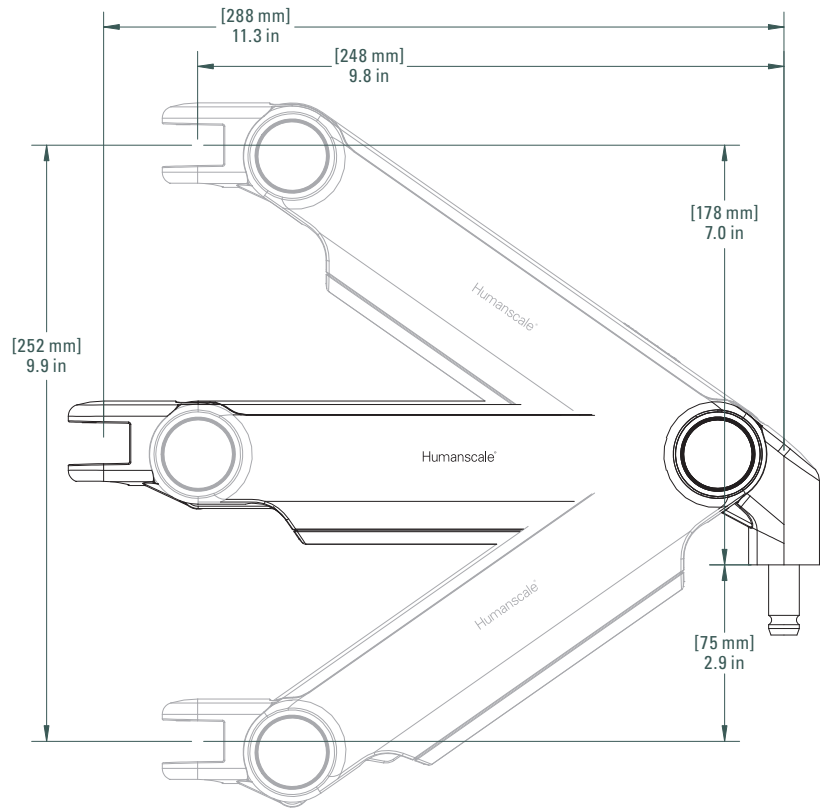
180°
Left / Right Pan



M2.1 Dynamic Link Without Tilt




AVAILABLE COLORS		
	Black with black trim	
	Silver with gray trim	
	Polished aluminum with white trim	
MONITOR WEIGHT RANGE		
WT	5.5 to 15.5 lbs	2.5 to 7.0 kg
WEIGHT		
WT	2.4 lbs	1.1 kg
NOTES		
<ul style="list-style-type: none"> The center of the end opening can range from 2.9 in (75 mm) below the top of the mount to 7 in (178 mm) above the top of the mount. 		

DIMENSIONS



M2.1 Turret Tilt Mechanism

AVAILABLE COLORS

	Black with black trim
	Silver with gray trim
	Polished aluminum with white trim

MAX. WEIGHT CAPACITY

WT	15.5 lbs	7.0 kg
----	----------	--------

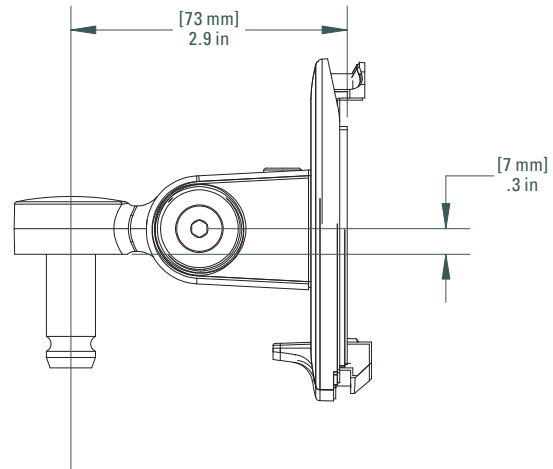
WEIGHT

WT	0.7 lbs	0.3 kg
----	---------	--------

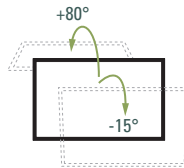
NOTES

- Used at the end of static arm links.
- The center of the tilt mechanism is 0.3 in (7 mm) above the mount.

DIMENSIONS






+80° / -15°
Tilt



M8.1 & M10 Standard Clamp & Base

AVAILABLE COLORS

	Black with black trim
	Silver with gray trim
	Polished aluminum with white trim

MAX. WEIGHT CAPACITY

WT	48.0 lbs	21.8 kg
----	----------	---------

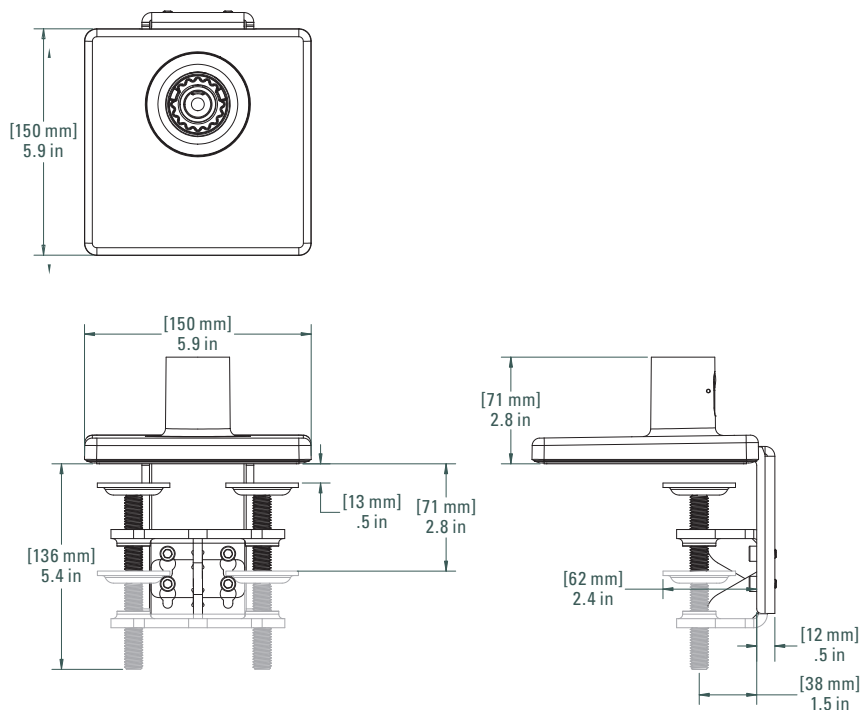
WEIGHT

WT	4.2 lbs	1.9 kg
----	---------	--------

NOTES




- The same clamp and base are used for M8.1 and M10.
- Clamp can be separated into two pieces to accommodate installation where a panel is adjacent to the work surface.
- Clamp can be flipped to accommodate desks up to 2.8 in thick.

DIMENSIONS



M8.1 & M10 Bolt-Through Mount & Base

AVAILABLE COLORS

	Black with black trim
	Silver with gray trim
	Polished aluminum with white trim

MAX. WEIGHT CAPACITY

WT	48.0 lbs	21.8 kg
----	----------	---------

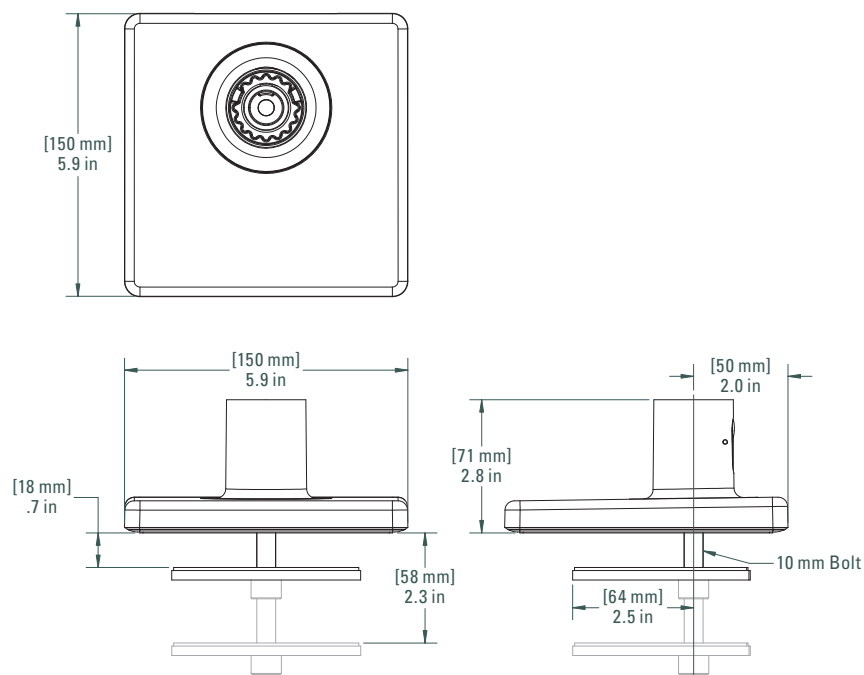
WEIGHT

WT	1.7 lbs	0.8 kg
----	---------	--------

NOTES




- The same Bolt-Through kit and base are used for M8.1 and M10.
- Bolt-Through mount contains three different lengths of bolt.
 - M10 x 1.5 x 50 mm Socket Head Cap Screw
 - M10 x 1.5 x 75 mm Socket Head Cap Screw
 - M10 x 1.5 x 90 mm Socket Head Cap Screw
- The minimum grommet hole size is ½ in (13 mm).
- The maximum grommet hole size is 4 in (102 mm).
- The hex key included with the Bolt-Through mount is 8 mm.
- The same Bolt-Through hardware is used for M8.1 and M10.

DIMENSIONS



M8.1 & M10 Sliding Desk Clamp & Base

AVAILABLE COLORS

	Black with black trim
	Silver with gray trim
	Polished aluminum with white trim

MAX. WEIGHT CAPACITY

WT	48.0 lbs	21.8 kg
----	----------	---------

PRODUCT WEIGHT

WT	3.3 lbs	1.5 kg
----	---------	--------

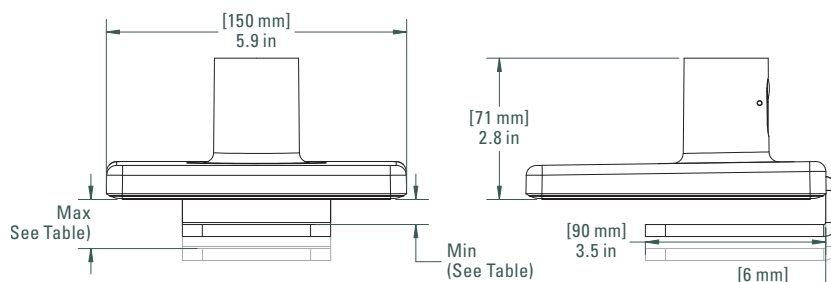
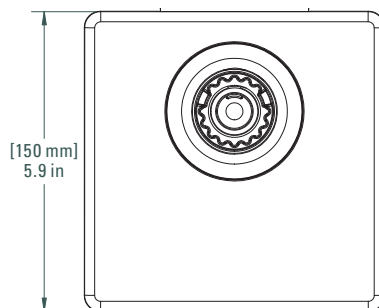
SPECIFICATIONS

SIZE	MIN. DESK THICKNESS		MAX. DESK THICKNESS	
	12 mm	0.37 in	9.5 mm	0.57 in
18 mm	0.61 in	15.5 mm	0.80 in	20.5 mm
25 mm	0.86 in	22.5 mm	1.08 in	27.5 mm
30 mm	1.08 in	27.5 mm	1.30 in	32.5 mm

NOTES




- The same sliding desk clamps and base are used for M8.1 and M10.

DIMENSIONS



M8.1 & M10 Static Arm Links

AVAILABLE COLORS

	Black with black trim
	Silver with gray trim
	Polished aluminum with white trim

MAX. WEIGHT CAPACITY

WT	48.0 lbs	21.8 kg
----	----------	---------

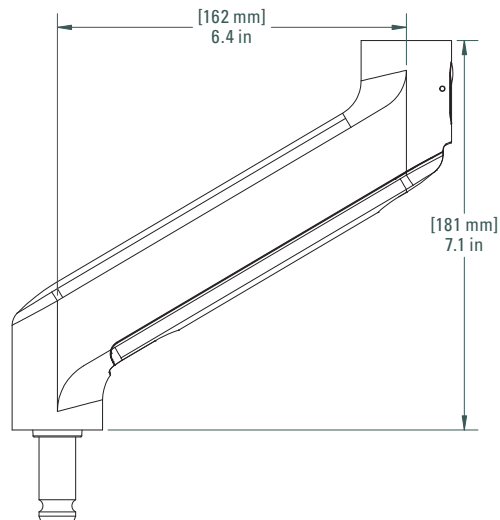
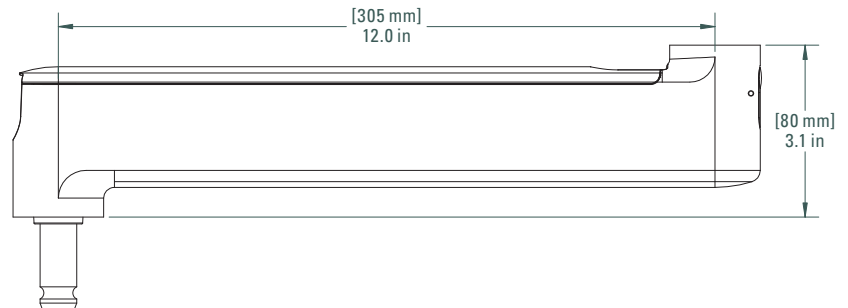
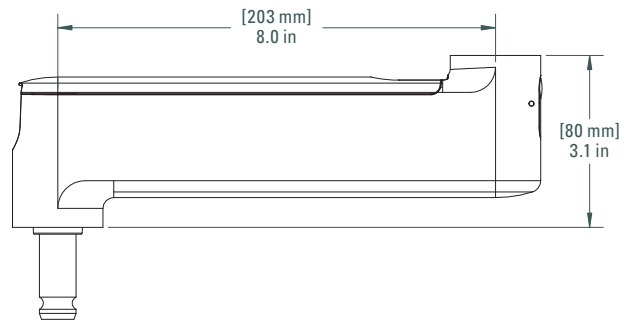
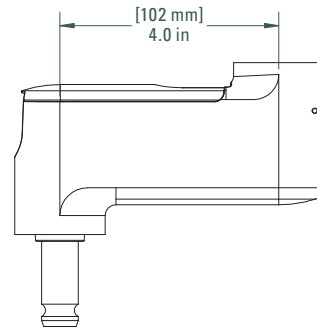
SPECIFICATIONS

4 in	1.6 lbs	0.7 kg
8 in	2.0 lbs	0.9 kg
12 in	2.5 lbs	1.1 kg
ANGLED IN	2.0 lbs	0.9 kg

NOTES




- The same static arm links are used for M8.1 and M10.

DIMENSIONS



M8.1 Dynamic Link With Standard Tilt

AVAILABLE COLORS

	Black with black trim
	Silver with gray trim
	Polished aluminum with white trim

MONITOR WEIGHT RANGE

WT	6.0 to 28.0 lbs	2.7 to 12.5 kg
----	-----------------	----------------

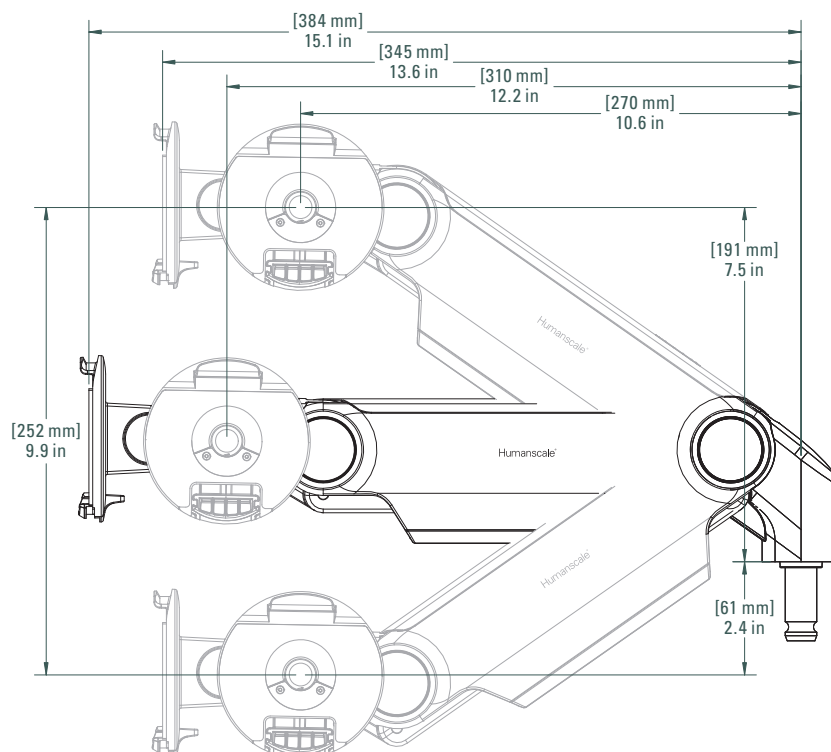
WEIGHT

WT	4.4 lbs	2.0 kg
----	---------	--------

NOTES

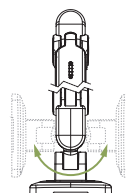
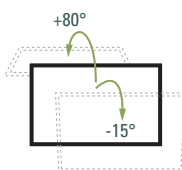
- The center of the tilt mechanism can range from 2.4 in (61 mm) below the top of the mount to 7.5 in (191 mm) above the top of the mount.

DIMENSIONS






+80° / -15°
Tilt

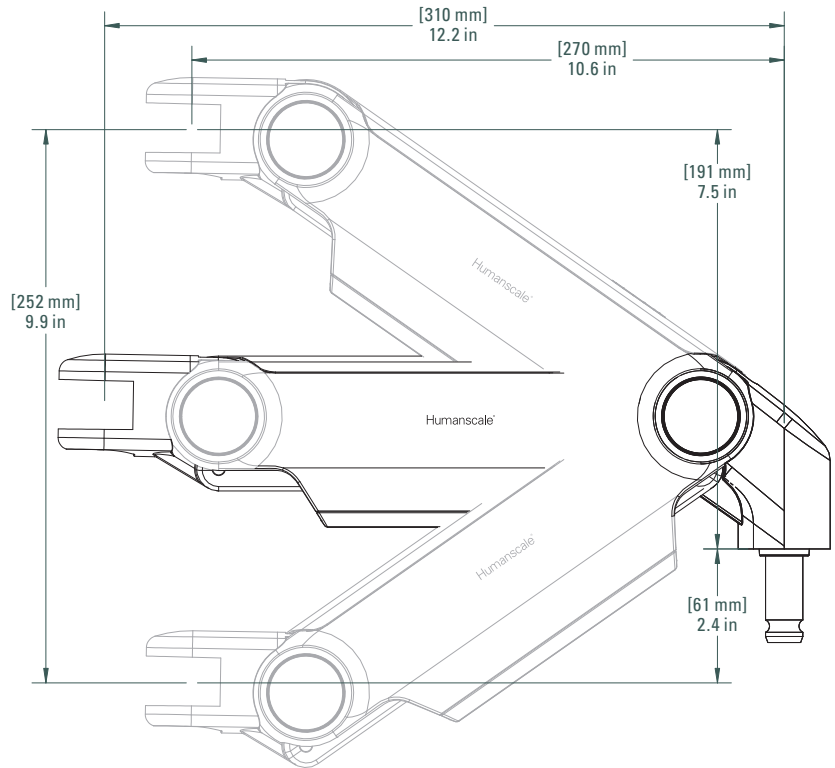
180°
Left / Right Pan



M8.1 Dynamic Link Without Tilt




AVAILABLE COLORS		
	Black with black trim	
	Silver with gray trim	
	Polished aluminum with white trim	
MONITOR WEIGHT RANGE		
WT	6.0 to 28.0 lbs	2.7 to 12.5 kg
WEIGHT		
WT	3.5 lbs	1.6 kg
NOTES		
<ul style="list-style-type: none"> The center of the end opening can range from 2.4 in (61 mm) below the top of the mount to 7.5 in (191 mm) above the top of the mount. 		

DIMENSIONS



M10 Dynamic Link With Standard Tilt

AVAILABLE COLORS

	Black with black trim
	Silver with gray trim
	Polished aluminum with white trim

MONITOR WEIGHT RANGE

WT	20.0 to 48.0 lbs	9.0 to 21.8 kg
----	------------------	----------------

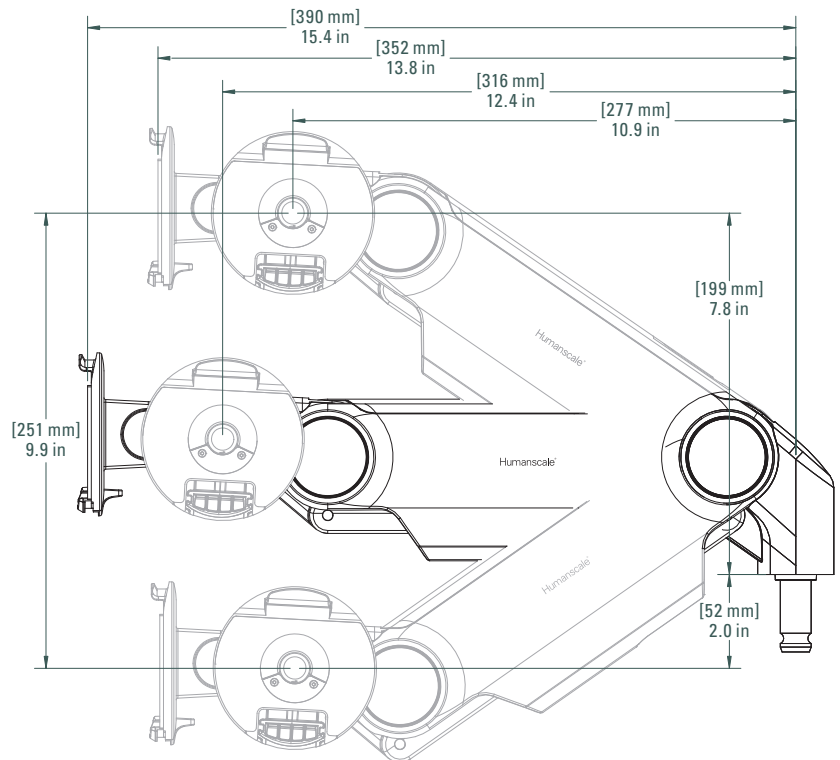
WEIGHT

WT	4.6 lbs	2.1 kg
----	---------	--------

NOTES

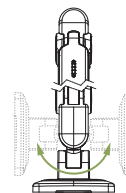
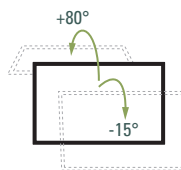
- The center of the tilt mechanism can range from 2.0 in (52 mm) below the top of the mount to 7.8 in (199 mm) above the top of the mount.

DIMENSIONS






+80° / -15°
Tilt

180°
Left / Right Pan



M10 Dynamic Link Without Tilt

AVAILABLE COLORS

	Black with black trim
	Silver with gray trim
	Polished aluminum with white trim

MONITOR WEIGHT RANGE

WT	20.0 to 48.0 lbs	9.0 to 21.8 kg
----	------------------	----------------

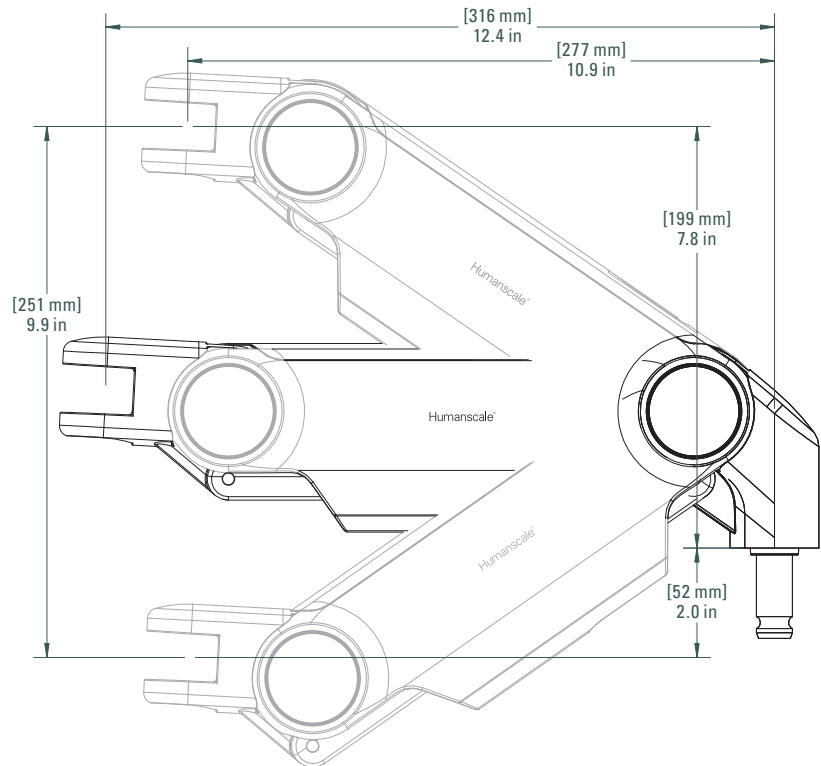
WEIGHT

WT	3.5 lbs	1.6 kg
----	---------	--------

NOTES




- The center of the end opening can range from 2.0 in (52 mm) below the top of the mount to 7.8 in (199 mm) above the top of the mount.

DIMENSIONS



M8.1 & M10 Turret Tilt Mechanism

AVAILABLE COLORS

	Black with black trim
	Silver with gray trim
	Polished aluminum with white trim

MONITOR WEIGHT RANGE

WT	48.0 lbs	21.8 kg
----	----------	---------

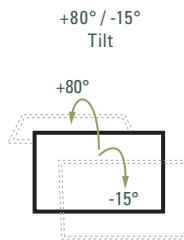
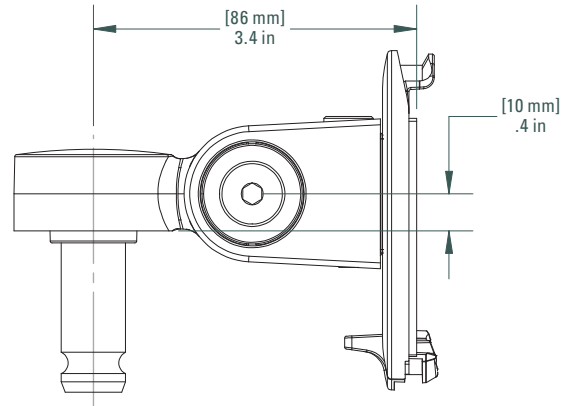
WEIGHT

WT	1.1 lbs	0.5 kg
----	---------	--------

NOTES




- Used at the end of fixed arm links.
- The center of the tilt mechanism is 0.3 in (7 mm) above the mount.
- The same turret tilt mechanism is used for M8.1 and M10.

DIMENSIONS



MFlex M2.1 Posts & Brackets

AVAILABLE COLORS

	Black with black trim
	Silver with gray trim
	Polished aluminum with white trim

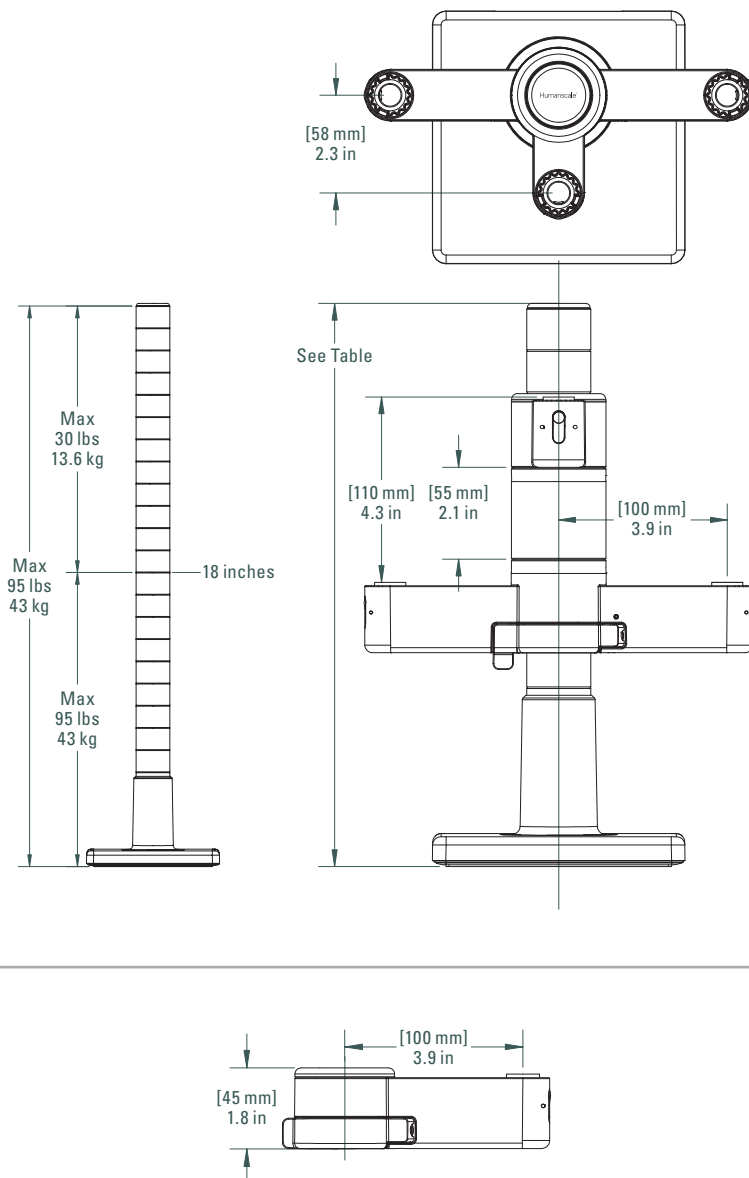
HEIGHT

12"	13.2 in	334 mm
18"	19.7 in	499 mm
24"	25.0 in	634 mm
30"	31.5 in	799 mm
36"	38.0 in	964 mm




NOTES

- Posts taller than 24" are not available with technology bases.
- The maximum weight load should not exceed 95 lbs.
- The maximum weight load should not exceed 60 lbs when a technology base is used.
- Maximum number of monitors supported by a single post is 6.
- Always use post stops to prevent monitor from swinging behind the clamp.

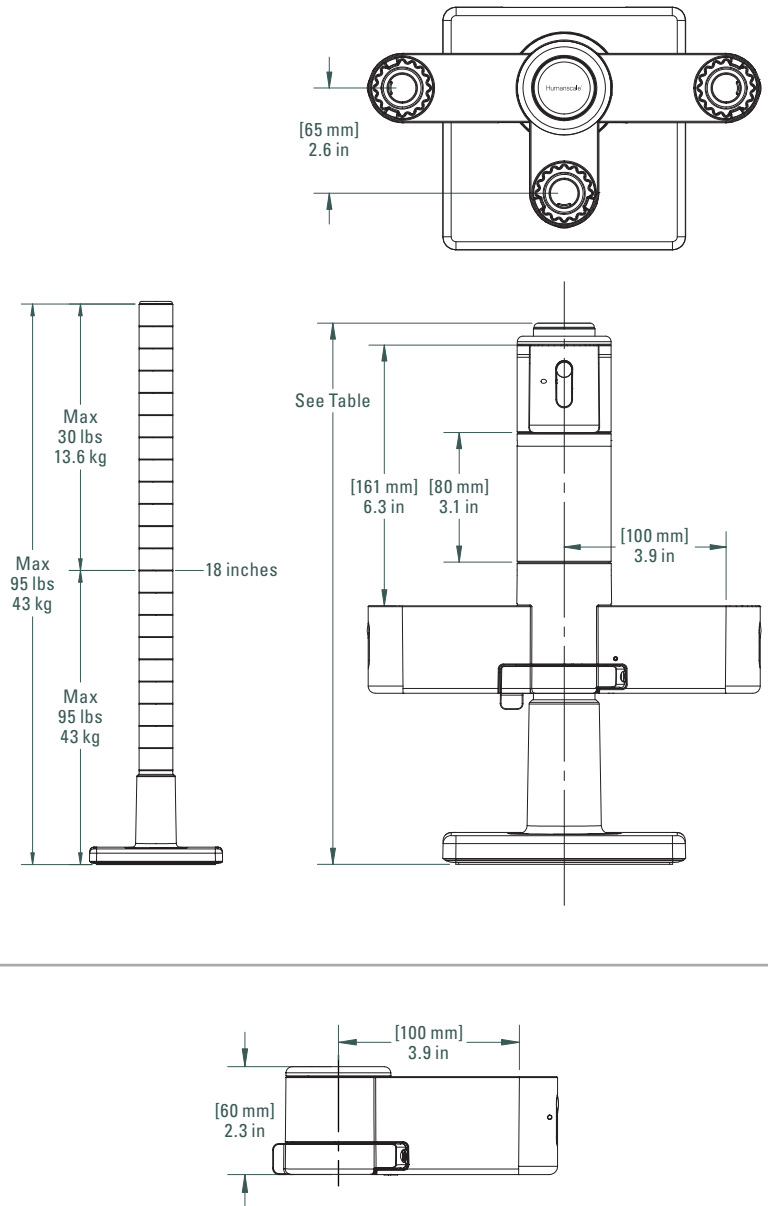
DIMENSIONS



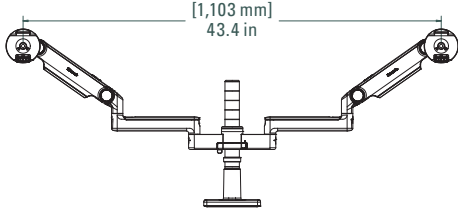
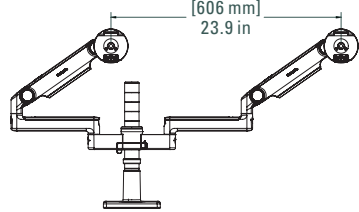
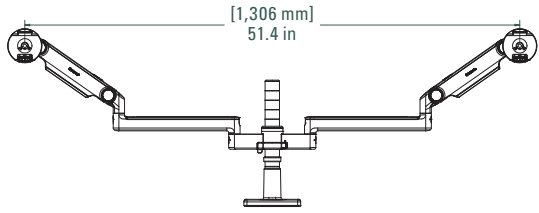
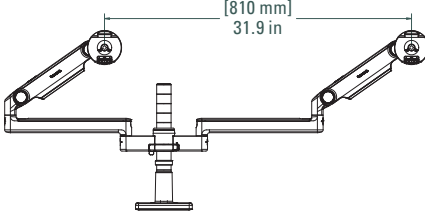
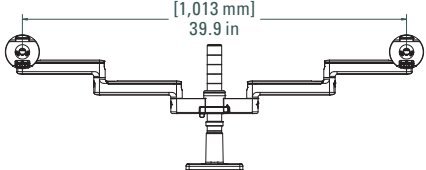
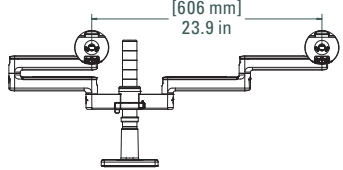
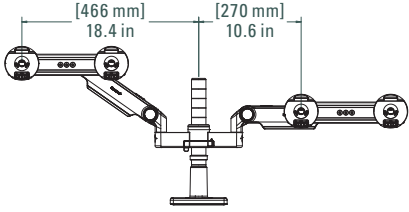
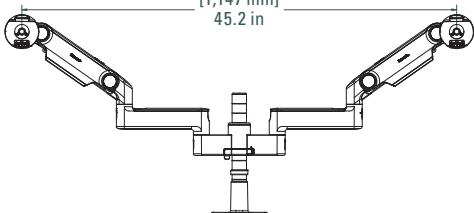
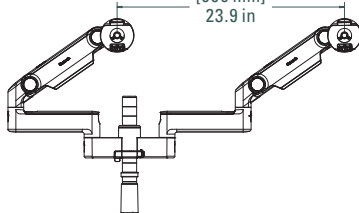
MFlex M8.1 & M10 Posts & Brackets

AVAILABLE COLORS		
	Black with black trim	
	Silver with gray trim	
	Polished aluminum with white trim	
HEIGHT		
12"	13.2 in	334 mm
18"	19.7 in	499 mm
24"	25.0 in	634 mm
30"	31.5 in	799 mm
36"	38.0 in	964 mm
NOTES		
<ul style="list-style-type: none"> • Posts taller than 24" are not available with technology bases. • The maximum weight load should not exceed 95 lbs. • The maximum weight load should not exceed 60 lbs when a technology base is used. • Maximum number of monitors supported by a single post is 6. • Always use post stops to prevent monitor from swinging behind the clamp. 		

DIMENSIONS



Common MFlex Configuration Screen Size Accommodations

CONFIGURATION / DESCRIPTION	MAX MONITOR WIDTH EXTENDED	MAX MONITOR WIDTH FOLDED
Dual M2.1 MFlex, 8" Straight Link/Dynamic Link (Arm Style E)	 <p>[1,103 mm] 43.4 in</p>	 <p>[606 mm] 23.9 in</p>
Dual M2.1 MFlex, 12" Straight Link/Dynamic Link (Arm Style F)	 <p>[1,306 mm] 51.4 in</p>	 <p>[810 mm] 31.9 in</p>
Dual M2.1 MFlex, 8" Straight Link/8" Straight Link (Arm Style J)	 <p>[1,013 mm] 39.9 in</p>	 <p>[606 mm] 23.9 in</p>
Dual M2.1 MFlex, Dynamic Links With Sliders	 <p>[466 mm] 18.4 in</p> <p>[270 mm] 10.6 in</p>	
Dual M8.1 MFlex, 8" Straight Link/Dynamic Link (Arm Style E)	 <p>[1,147 mm] 45.2 in</p>	 <p>[606 mm] 23.9 in</p>

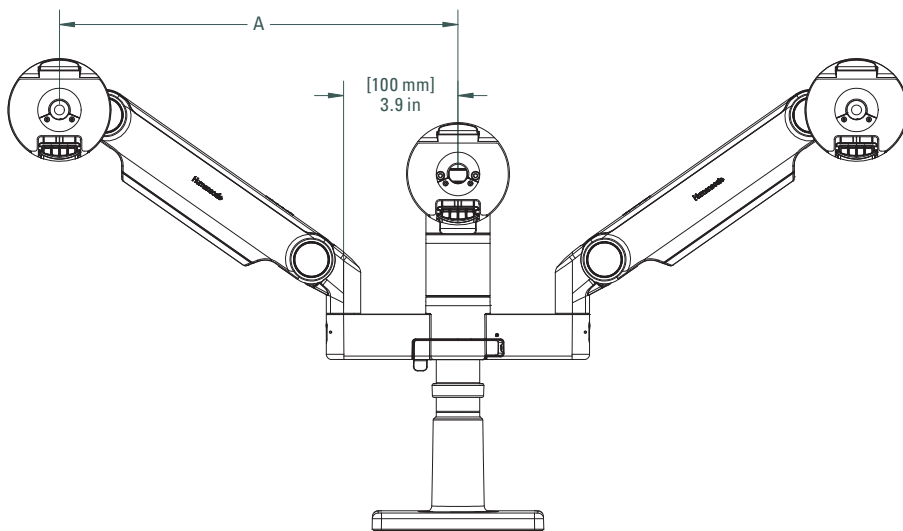
MFlex 2.1 Screen Size Accommodations: Single Link Styles

		MAX MONITOR WIDTH					
		TWO MONITORS		THREE MONITORS		DIMENSION A	
Arm Style	Description	in	mm	in	mm	in	mm
D	Dynamic Link	27.4	696	13.7	348	13.7	348
4	4" Link	15.8	406	7.9	203	7.9	203
8	8" Link	23.8	608	11.9	304	11.9	304
1	12" Link	31.8	808	15.9	404	15.9	404

NOTES

- Dimensions provided are for actual monitor width.
- Slider adds 4.6 inches (118 mm) of adjustment to each side.
- Do not exceed weight limitations.

DIMENSIONS



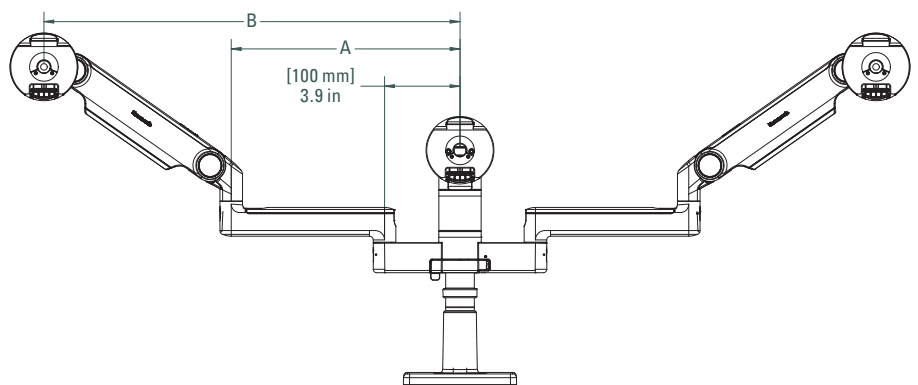
MFlex 2.1 Screen Size Accommodations: Double Link Styles

		MAX MONITOR WIDTH				DIMENSION A		DIMENSION B	
Arm Style	Description	TWO MONITORS		THREE MONITORS		in	mm	in	mm
		in	mm	in	mm				
B	Angled/Dynamic	40.8	1036	20.4	518	10.6	270	20.4	518
C	4"/Dynamic	35.4	904	17.7	452	7.9	203	17.7	452
E	8"/Dynamic	43.4	1104	21.7	552	11.9	304	21.7	552
F	12"/Dynamic	51.4	1304	25.7	652	15.9	404	25.7	652
G	4"/8" Links	31.8	816	15.9	408	7.9	203	15.9	408
H	4"/12" Links	39.8	1016	19.9	508	7.9	203	19.9	508
J	8"/8" Links	39.8	1016	19.9	508	11.9	304	19.9	508
K	8"/12" Links	47.8	1216	23.9	608	11.9	304	23.9	608
L	12"/12" Links	55.8	1416	27.9	708	15.9	404	27.9	708
S	Angled/4" Links	29.2	748	14.6	374	10.6	270	14.6	374
T	Angled/8" Links	37.2	948	18.6	474	10.6	270	18.6	474
U	Angled/12" Links	45.2	1148	22.6	574	10.6	270	22.6	574
V	4"/4" Links	23.8	616	11.9	308	7.9	203	11.9	308

NOTES

- Dimensions provided are for actual monitor width.
- Slider adds 4.6 inches (118 mm) of adjustment to each side.
- Do not exceed weight limitations.

DIMENSIONS

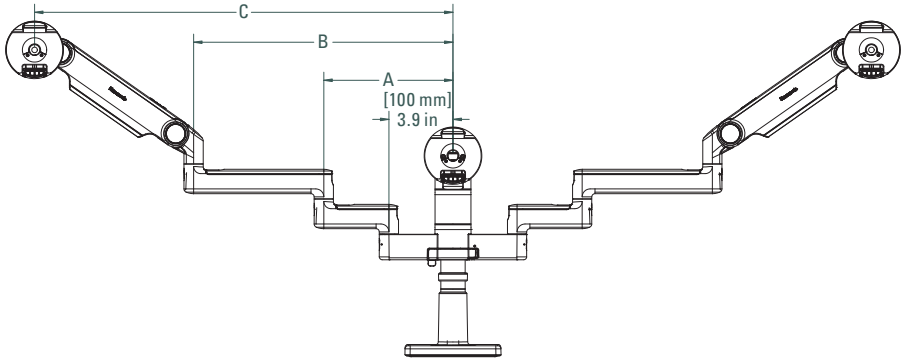


MFlex 2.1 Screen Size Accommodations: Triple Link Styles

		MAX MONITOR WIDTH				DIMENSION A		DIMENSION B		DIMENSION C	
Arm Style	Description	TWO MONITORS		THREE MONITORS		in	mm	in	mm	in	mm
		in	mm	in	mm						
M	4"/Angled/Dynamic	48.8	1244	24.4	622	7.9	203	14.6	374	24.4	622
P	4"/8"/Dynamic	51.4	1312	25.7	656	7.9	203	15.9	408	25.7	656
Q	4"/12"/Dynamic	59.4	1512	29.7	756	7.9	203	19.9	508	29.7	756
R	4"/8"/12" Links	55.8	1424	27.9	712	7.9	203	15.9	408	27.9	712
W	Angled/4"/4" Links	37.2	956	18.6	478	10.6	270	14.6	374	18.6	478
Y	Angled/8"/4" Links	45.2	1156	22.6	578	11.9	304	18.6	474	22.6	578
Z	Angled/12"/4" Links	53.2	1356	26.6	678	10.6	270	22.6	574	26.6	678
2	4"/4"/Dynamic	43.4	1112	21.7	556	7.9	203	11.9	308	21.7	556
3	4"/4"/4" Links	31.8	824	15.9	412	7.9	203	11.9	308	15.9	412
5	8"/4"/4" Links	39.8	1024	19.9	512	11.9	304	15.9	408	19.9	512
7	12"/4"/4" Links	47.8	1224	23.9	612	15.9	404	19.9	508	23.9	612
9	8"/8"/4" Links	47.8	1224	23.9	612	11.9	304	19.9	508	23.9	612

- NOTES**
- Dimensions provided are for actual monitor width.
 - Slider adds 4.6 inches (118 mm) of adjustment to each side.
 - Do not exceed weight limitations.

DIMENSIONS



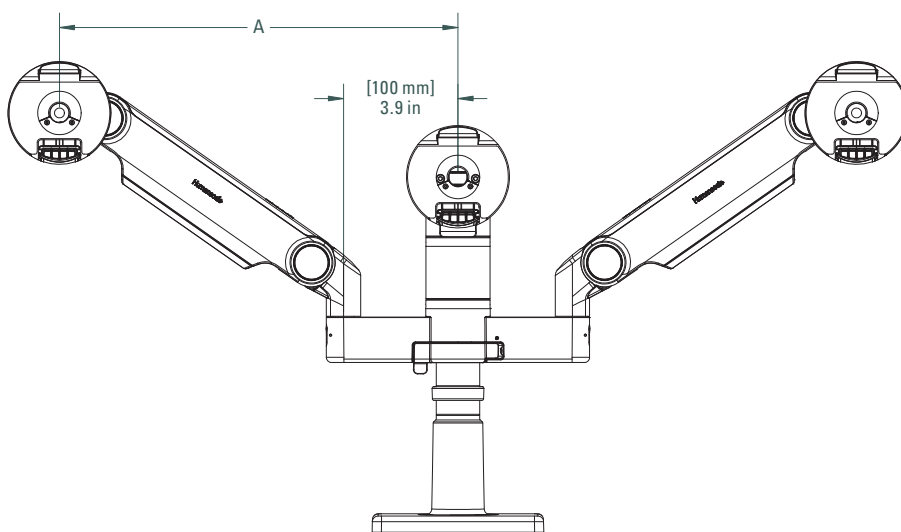
MFlex 8.1 Screen Size Accommodations: Single Link Styles

		MAX MONITOR WIDTH					
		TWO MONITORS		THREE MONITORS		DIMENSION A	
Arm Style	Description	in	mm	in	mm	in	mm
D	Dynamic Link	29	696	14.5	348	14.5	348
4	4" Link	15.8	406	7.9	203	7.9	203
8	8" Link	23.8	608	11.9	304	11.9	304
1	12" Link	31.8	808	15.9	404	15.9	404

NOTES

- Dimensions provided are for actual monitor width.
- Slider adds 4.6 inches (118 mm) of adjustment to each side with maximum weight capacity of 22.5 lb (10.2 kg).
- Do not exceed weight limitations.

DIMENSIONS



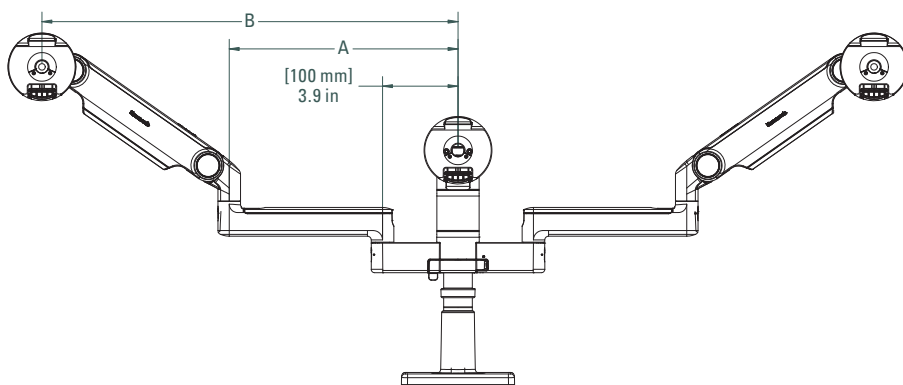
MFlex 8.1 Screen Size Accommodations: Double Link Styles

		MAX MONITOR WIDTH				DIMENSION A		DIMENSION B	
Arm Style	Description	TWO MONITORS		THREE MONITORS		in	mm	in	mm
		in	mm	in	mm				
B	Angled/Dynamic	42.4	1036	21.2	518	10.6	270	21.2	518
C	4"/Dynamic	37	904	18.5	452	7.9	203	18.5	452
E	8"/Dynamic	45	1104	22.5	552	11.9	304	22.5	552
F	12"/Dynamic	53	1304	26.5	652	15.9	404	26.5	652
G	4"/8" Links	31.8	816	15.9	408	7.9	203	15.9	408
H	4"/12" Links	39.8	1016	19.9	508	7.9	203	19.9	508
J	8"/8" Links	39.8	1016	19.9	508	11.9	304	19.9	508
K	8"/12" Links	47.8	1216	23.9	608	11.9	304	23.9	608
L	12"/12" Links	55.8	1416	27.9	708	15.9	404	27.9	708
S	Angled/4" Links	29.2	748	14.6	374	10.6	270	14.6	374
T	Angled/8" Links	37.2	948	18.6	474	10.6	270	18.6	474
U	Angled/12" Links	45.2	1148	22.6	574	10.6	270	22.6	574
V	4"/4" Links	23.8	616	11.9	308	7.9	203	11.9	308

NOTES

- Dimensions provided are for actual monitor width.
- Slider adds 4.6 inches (118 mm) of adjustment to each side with maximum weight capacity of 22.5 lb (10.2 kg).
- Do not exceed weight limitations.

DIMENSIONS



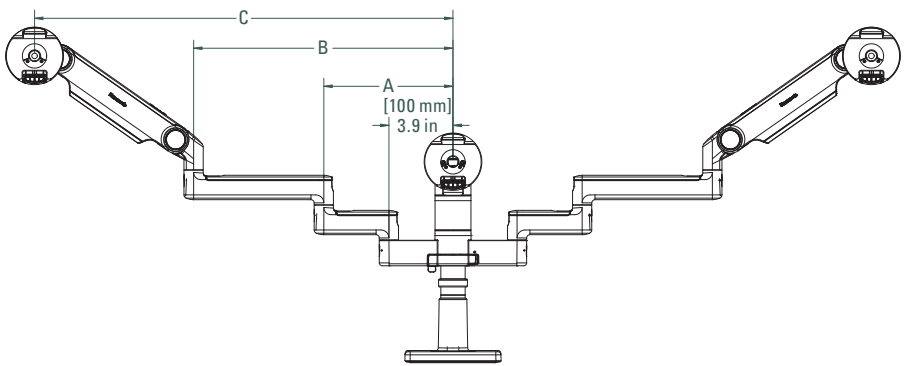
MFlex 8.1 Screen Size Accommodations: Triple Link Styles

		MAX MONITOR WIDTH				DIMENSION A		DIMENSION B		DIMENSION C	
Arm Style	Description	TWO MONITORS		THREE MONITORS		in	mm	in	mm	in	mm
		in	mm	in	mm						
M	4"/Angled/Dynamic	50.4	1244	25.2	622	7.9	203	14.6	374	25.2	622
P	4"/8"/Dynamic	53	1312	26.5	656	7.9	203	15.9	408	26.5	656
Q	4"/12"/Dynamic	61	1512	30.5	756	7.9	203	19.9	508	30.5	756
R	4"/8"/12" Links	55.8	1424	27.9	712	7.9	203	15.9	408	27.9	712
W	Angled/4"/4" Links	37.2	956	18.6	478	10.6	270	14.6	374	18.6	478
Y	Angled/8"/4" Links	45.2	1156	22.6	578	11.9	304	18.6	474	22.6	578
Z	Angled/12"/4" Links	53.2	1356	26.6	678	10.6	270	22.6	574	26.6	678
2	4"/4"/Dynamic	45	1112	22.5	556	7.9	203	11.9	308	22.5	556
3	4"/4"/4" Links	31.8	824	15.9	412	7.9	203	11.9	308	15.9	412
5	8"/4"/4" Links	39.8	1024	19.9	512	11.9	304	15.9	408	19.9	512
7	12"/4"/4" Links	47.8	1224	23.9	612	15.9	404	19.9	508	23.9	612
9	8"/8"/4" Links	47.8	1224	23.9	612	11.9	304	19.9	508	23.9	612

NOTES

- Dimensions provided are for actual monitor width.
- Slider adds 4.6 inches (118 mm) of adjustment to each side with maximum weight capacity of 22.5 lb (10.2 kg).
- Do not exceed weight limitations.

DIMENSIONS



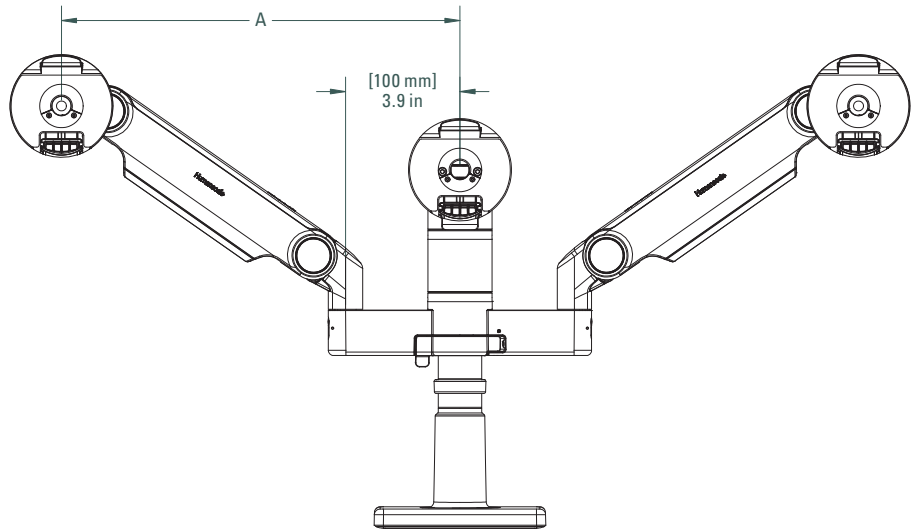
MFlex 10 Screen Size Accommodations: Single Link Styles

		MAX MONITOR WIDTH					
		TWO MONITORS		THREE MONITORS		DIMENSION A	
Arm Style	Description	in	mm	in	mm	in	mm
D	Dynamic Link	29.6	696	14.8	348	14.8	348
4	4" Link	15.8	406	7.9	203	7.9	203
8	8" Link	23.8	608	11.9	304	11.9	304
1	12" Link	31.8	808	15.9	404	15.9	404

NOTES

- Dimensions provided are for actual monitor width.
- Do not exceed weight limitations.

DIMENSIONS



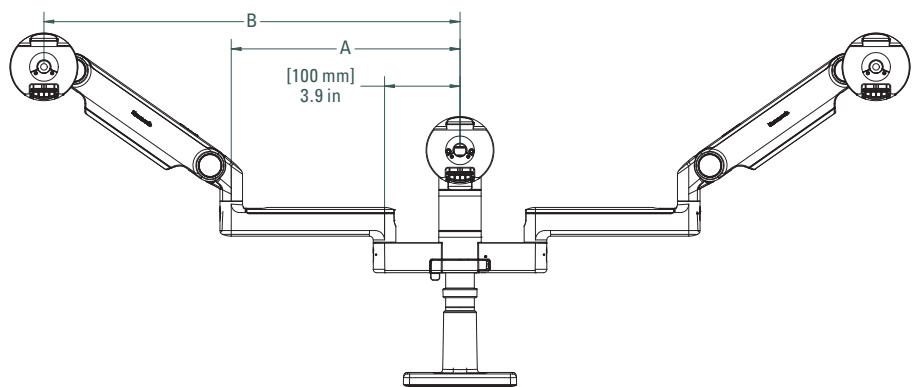
MFlex 10 Screen Size Accommodations: Double Link Styles

		MAX MONITOR WIDTH				DIMENSION A		DIMENSION B	
Arm Style	Description	TWO MONITORS		THREE MONITORS		in	mm	in	mm
		in	mm	in	mm				
B	Angled/Dynamic	43	1036	21.5	518	10.6	270	21.5	518
C	4"/Dynamic	37.6	904	18.8	452	7.9	203	18.8	452
E	8"/Dynamic	45.6	1104	22.8	552	11.9	304	22.8	552
F	12"/Dynamic	53.6	1304	26.8	652	15.9	404	26.8	652
G	4"/8" Links	31.8	816	15.9	408	7.9	203	15.9	408
H	4"/12" Links	39.8	1016	19.9	508	7.9	203	19.9	508
J	8"/8" Links	39.8	1016	19.9	508	11.9	304	19.9	508
K	8"/12" Links	47.8	1216	23.9	608	11.9	304	23.9	608
L	12"/12" Links	55.8	1416	27.9	708	15.9	404	27.9	708
S	Angled/4" Links	29.2	748	14.6	374	10.6	270	14.6	374
T	Angled/8" Links	37.2	948	18.6	474	10.6	270	18.6	474
U	Angled/12" Links	45.2	1148	22.6	574	10.6	270	22.6	574
V	4"/4" Links	23.8	616	11.9	308	7.9	203	11.9	308

NOTES

- Dimensions provided are for actual monitor width.
- Do not exceed weight limitations.

DIMENSIONS



MFlex 10 Screen Size Accommodations: Triple Link Styles

		MAX MONITOR WIDTH				DIMENSION A		DIMENSION B		DIMENSION C	
Arm Style	Description	TWO MONITORS		THREE MONITORS		in	mm	in	mm	in	mm
		in	mm	in	mm						
M	4"/Angled/Dynamic	51	1244	25.5	622	7.9	203	14.6	374	25.5	622
P	4"/8"/Dynamic	53.6	1312	26.8	656	7.9	203	15.9	408	26.8	656
Q	4"/12"/Dynamic	61.6	1512	30.8	756	7.9	203	19.9	508	30.8	756
R	4"/8"/12" Links	55.8	1424	27.9	712	7.9	203	15.9	408	27.9	712
W	Angled/4"/4" Links	37.2	956	18.6	478	10.6	270	14.6	374	18.6	478
Y	Angled/8"/4" Links	45.2	1156	22.6	578	11.9	304	18.6	474	22.6	578
Z	Angled/12"/4" Links	53.2	1356	26.6	678	10.6	270	22.6	574	26.6	678
2	4"/4"/Dynamic	45.6	1112	22.8	556	7.9	203	11.9	308	22.8	556
3	4"/4"/4" Links	31.8	824	15.9	412	7.9	203	11.9	308	15.9	412
5	8"/4"/4" Links	39.8	1024	19.9	512	11.9	304	15.9	408	19.9	512
7	12"/4"/4" Links	47.8	1224	23.9	612	15.9	404	19.9	508	23.9	612
9	8"/8"/4" Links	47.8	1224	23.9	612	11.9	304	19.9	508	23.9	612

NOTES

- Dimensions provided are for actual monitor width.
- Do not exceed weight limitations.

DIMENSIONS

