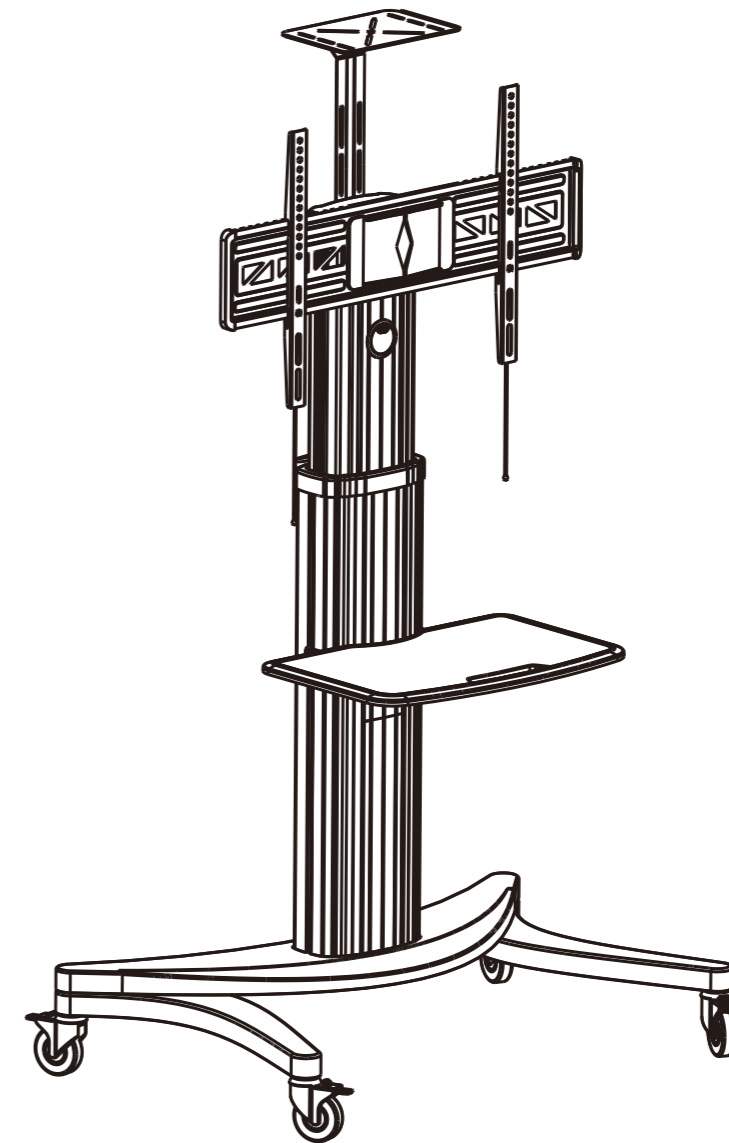


## Item No. P2

Installation Guide



**ZOXOU INC. (Distributor)**

ADDRESS: 47618 Kato Road, Fremont, CA, 94538 United States

TEL: 1-855-421-2808

Facebook: Loctek

Twitter: LoctekOfficial

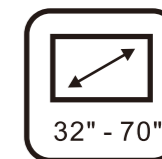
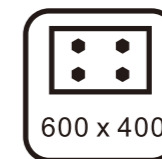
Website: [www.loctek.us](http://www.loctek.us)

[www.pricedepot.com](http://www.pricedepot.com)

**LOCTEK ERGONOMIC TECHNOLOGY CORP. (Manufacturer)**

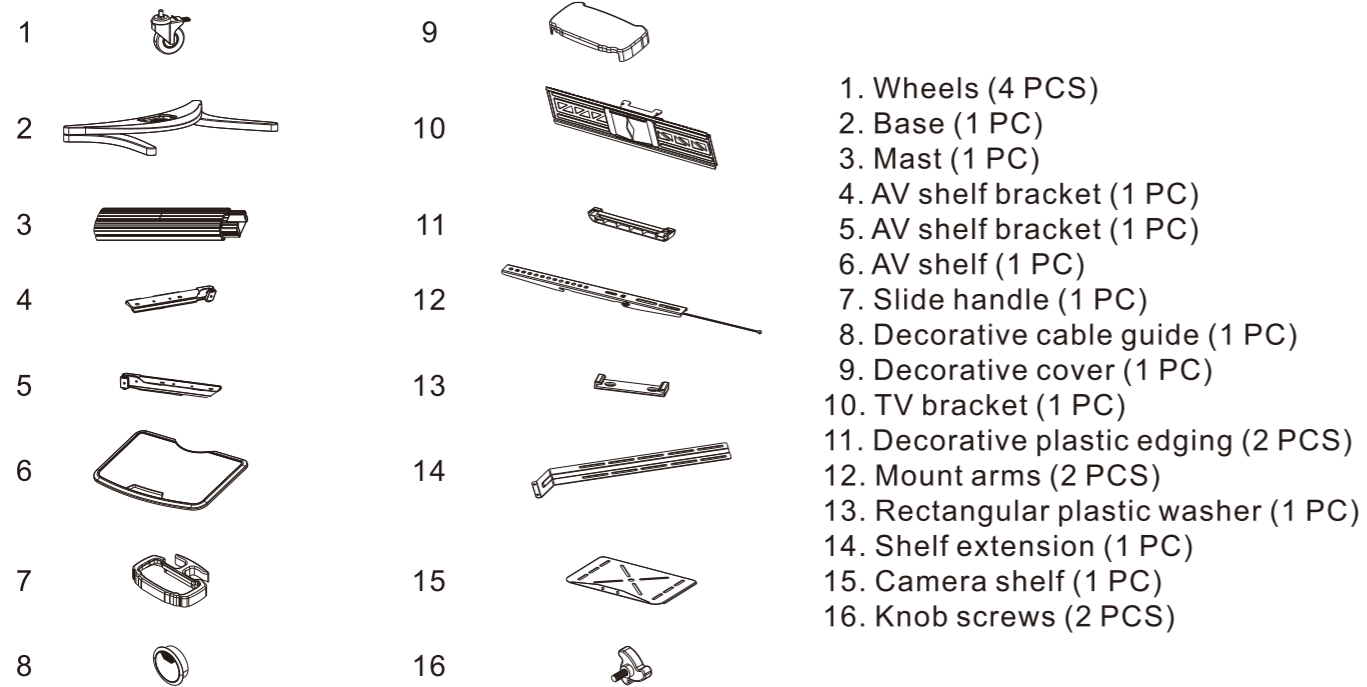
ADDRESS: No. 588 Qihang South Road, Binhai Industrial Zone, Yinzhou District, Ningbo China

Website: [www.loctek.com](http://www.loctek.com)

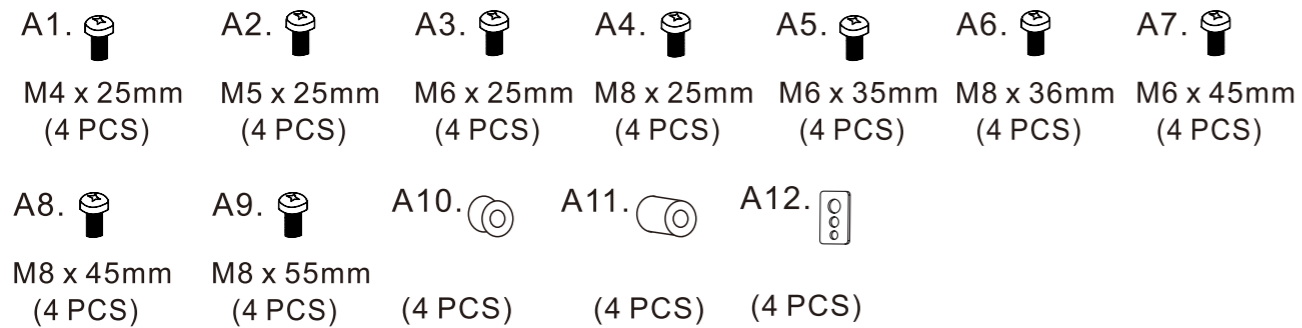


## Included In Package

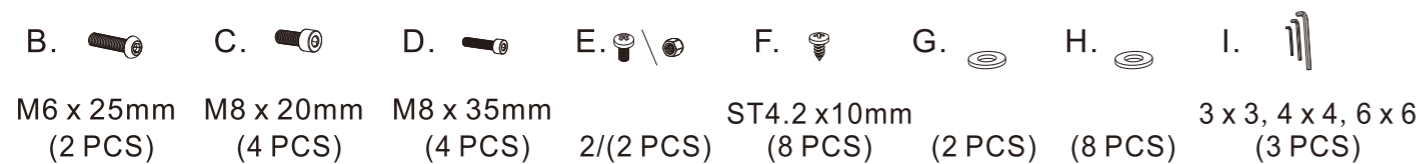
### (A) Parts Included



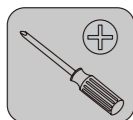
### (B) TV Mounting Screw Set



### (C) TV Cart Screw Set



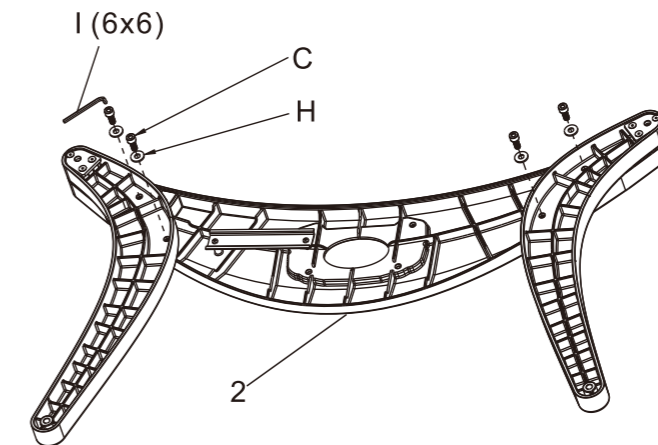
### (D) Tools Needed for Assembly



## Installation Steps

### STEP 1: Installation of Base

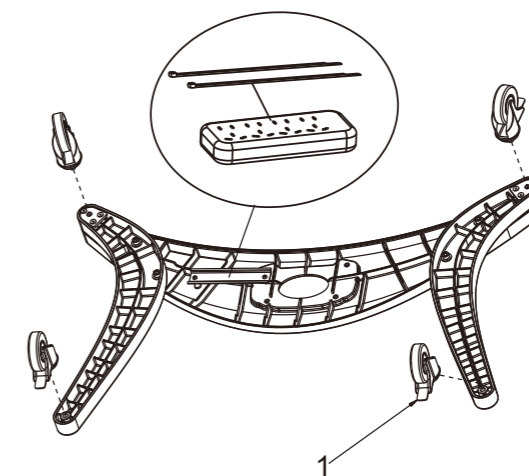
1. Unfold the base (2).
2. Insert two screws (C) with two washers (H) on each side and tighten with the 6x6 hex key (I).



### STEP 2: Installation of Wheels

1. Make sure the wheels (1) are locked.
2. Screw the wheels (1) into the base (2).
3. (Optional)  
If you would like to attach a power strip to the base of the cart, you can do it using the nylon ties. Power strip is not included.

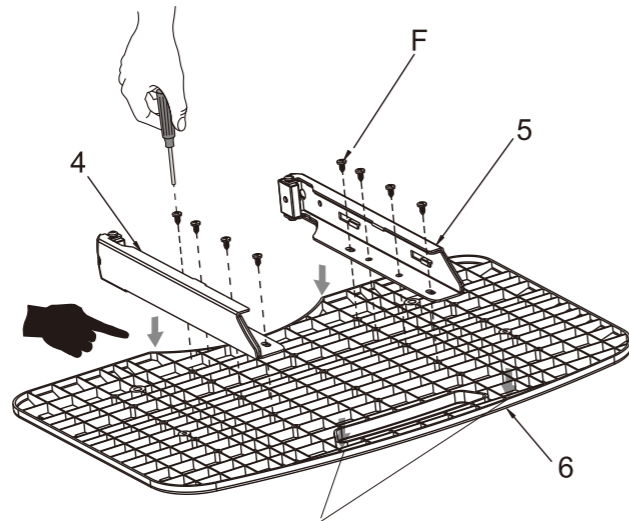
Use nylon ties to attach a power strip if desired.



Lock the wheels before installation.

### STEP 3-A: Installation of AV Shelf

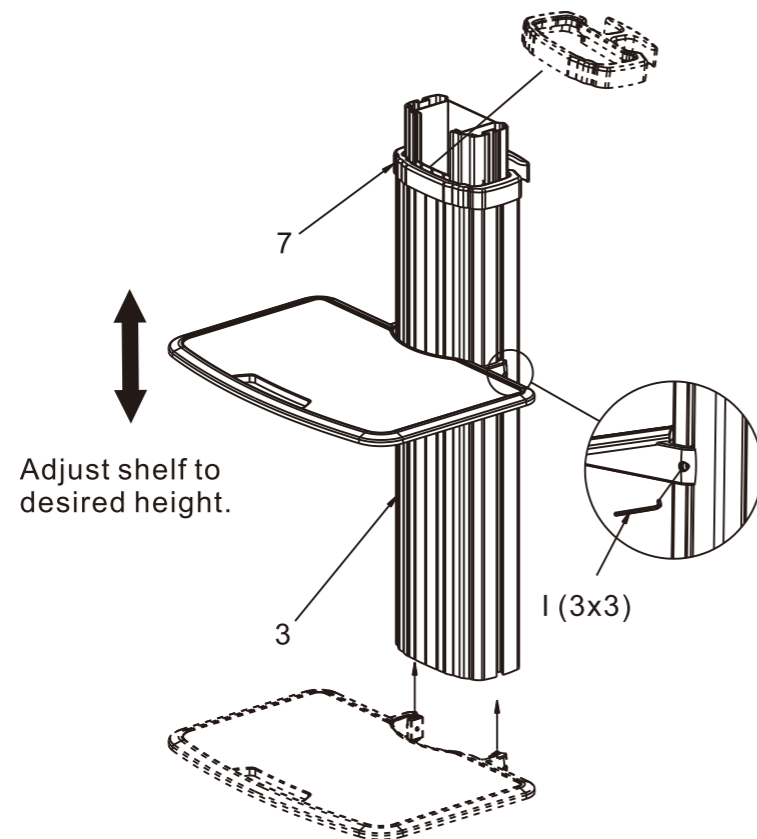
Attach the AV shelf brackets (4, 5) to the AV shelf (6) using four screws (F) per bracket. (Note: The curved side of each bracket aligns with the curved part of the shelf.)



Screw brackets into the second and fourth lines of holes.

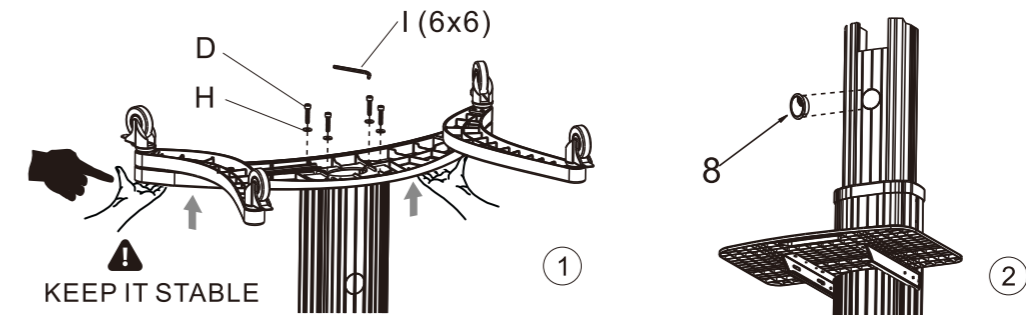
### STEP 3-B: Placing the AV Shelf

1. Slide the AV shelf up around bottom of mast(3), set to desired height, and tighten screws using the hex key I (3x3).
2. Slide handle (7) onto mast (3).



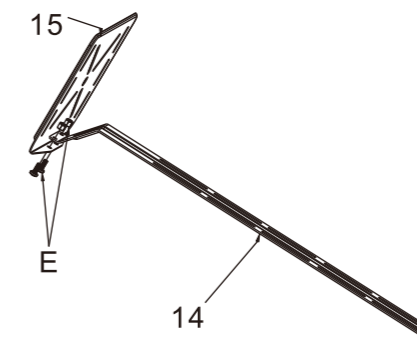
### STEP 3-C: Attaching the Mast to the Base

1. Attach the mast (3) to the base (2) using four screws (D) and four washers (H)
2. Remove perforated hole in mast and insert decorative cable guide (8).



### STEP 4-A: Installation of Camera Shelf

Attach the shelf extension (14) to the camera shelf (15) using two screws and two nuts (E).

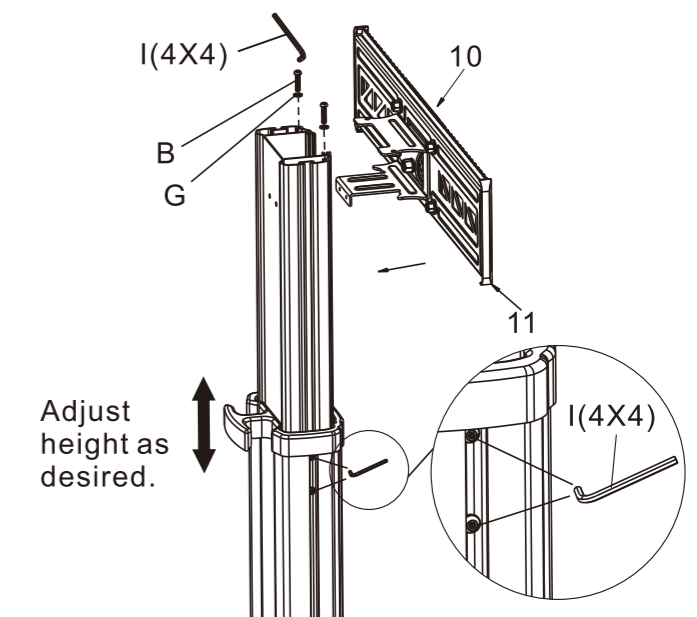


### STEP 4-B: Attaching the TV Bracket

1. Loosen the screws on both sides of the mast, then pull up on the inner part of the mast to extend it to desired height. Tighten screws in place using hex key I (4X4).

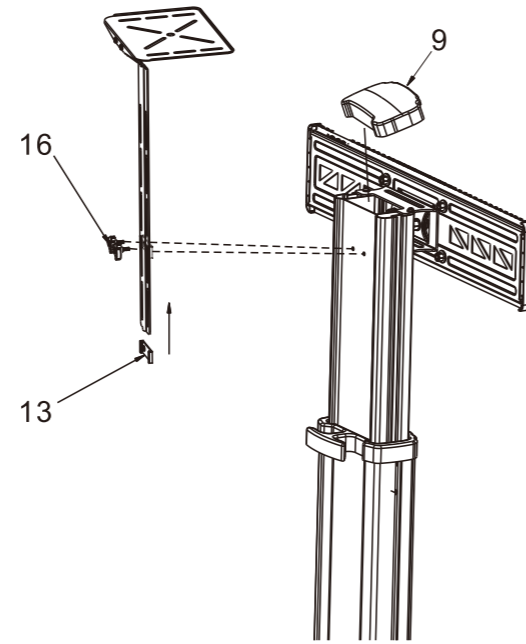
2. Attach the TV bracket (10) to the upper part of the mast with two screws (B) and two washers (G). Tighten using hex key I (4X4). Add decorative plastic edging (11).

3. If you are not using the camera stand as shown in Step 4-C, insert the two knob screws (16) in back of mast and into the TV mount.



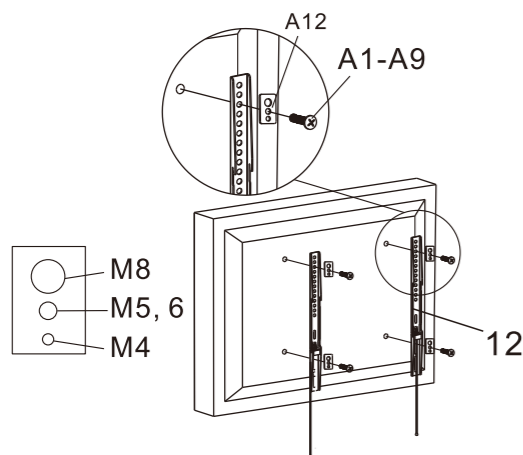
## STEP 4-C: Attaching the Camera Shelf

1. Slide the rectangular plastic washer (13) around the camera stand.
2. Screw in both knob screws (16) into back of mast (and also into TV mount.) The plastic washer (13) should be touching the mast.
3. Add decorative cover (9) to top of mast.

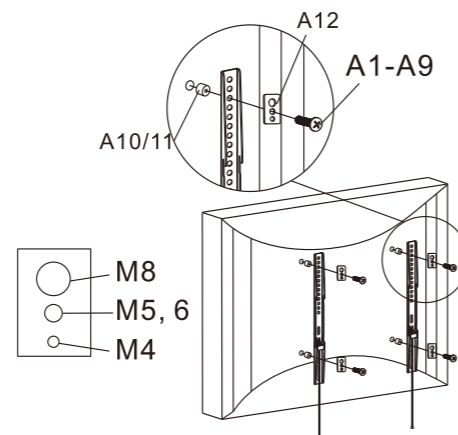


## STEP 5-A: Attaching TV to TV Brackets

Connect mount arms (12) to the back of your TV using four screws (A1-A9, depending on your TV) and four washers (A12). Make sure the screws are tightly fastened before hanging TV on mount.



Standard Installation



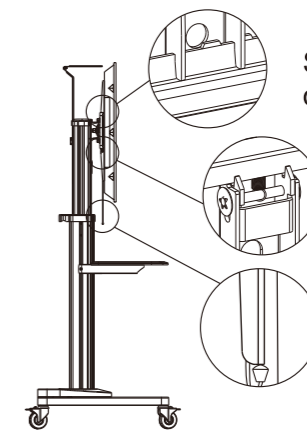
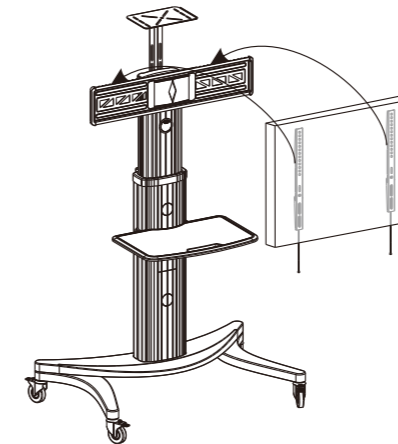
Installation with A10 or A11 Washer

Some TVs, including many curved TVs, will require the A10 or A11 washer

▲ Note: Although we have provided several screw options (A1-A9), if your TV's VESA holes are too shallow, you will have to purchase screws suitable to fit your TV.

## STEP 5-B: Mounting Your TV

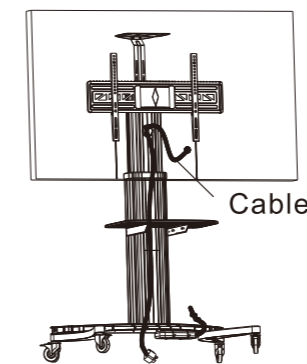
Hang TV on mount. Ensure that safety locks on bottom of mount are engaged, then stick the magnetic safety release strings out of view.



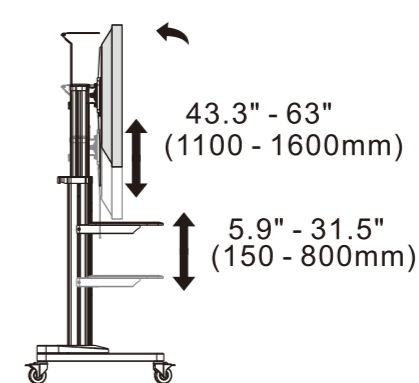
Set mount arms onto mount.

Click safety mechanism in place on bottom.

Hide magnetic strings from view.

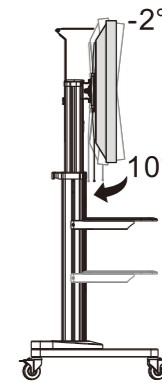


Cable



43.3" - 63"  
(1100 - 1600mm)

5.9" - 31.5"  
(150 - 800mm)



-2°

10°

## Warning

- **CHOKING HAZARD!** This item contains small parts. Please monitor children to make sure they do not play with any small parts associated with this TV cart.
- Do not begin to assemble/install this product until you have read and understand the instructions. If you have any questions regarding the instructions or warnings, please contact a professional installer.
- Before assembly and TV installation, please check the weight of your monitor. Never exceed the maximum load capacity of 99 lbs (45 kg). To do so may cause product damage or physical injury.
- This product requires two people for proper assembly.
- This product is for indoor use only! Outdoor use may result in product damage or personal injury.
- For your safety, we recommend keeping the TV stand close to the wall.
- Always remove TV before making a height adjustment.