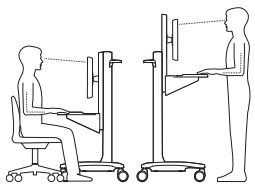
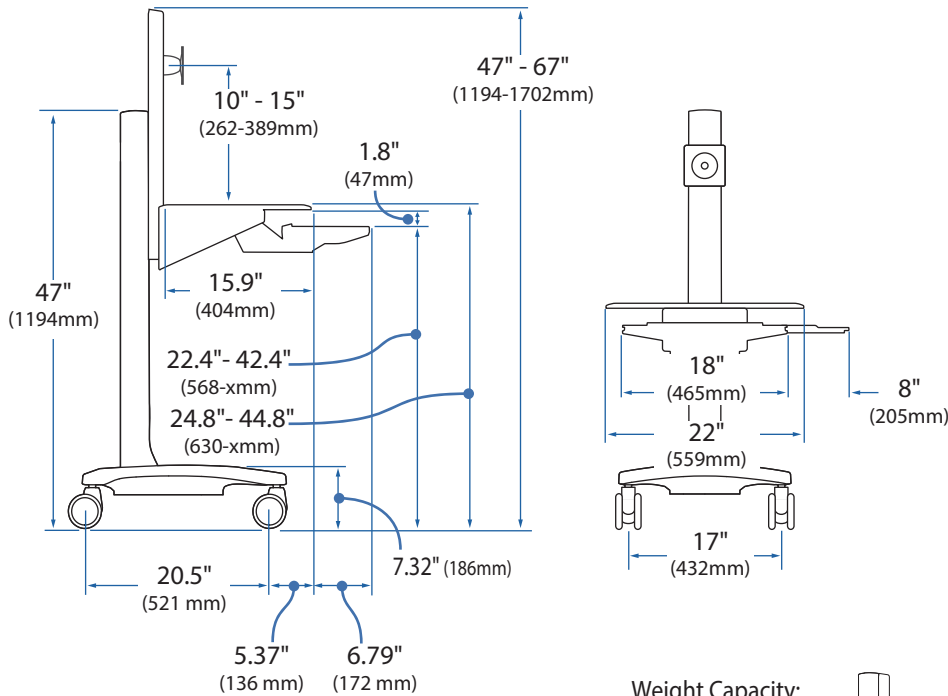
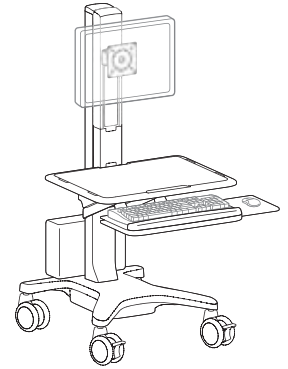
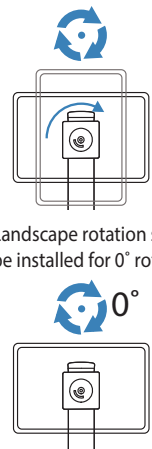
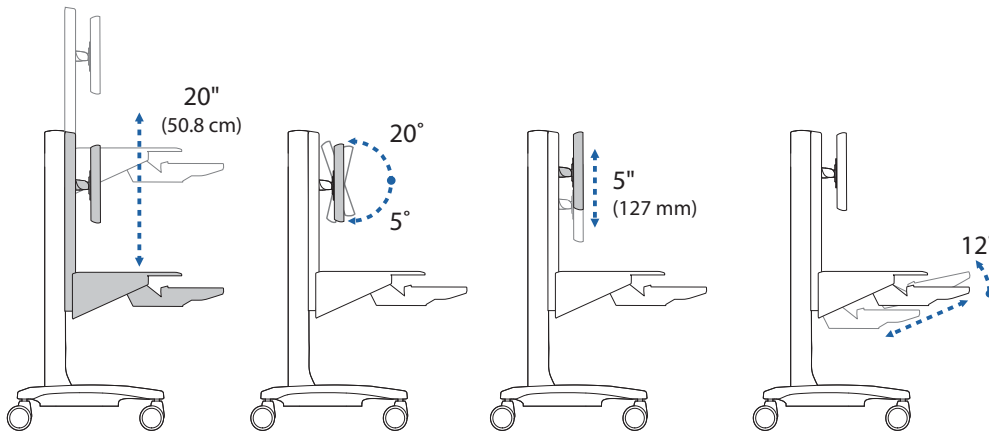
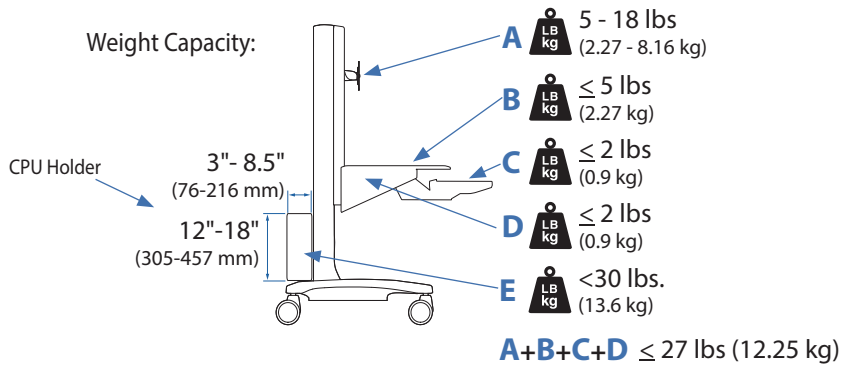


# Dimensional & Range of Motion Illustrations

## WorkFit-C Single LCD Mount, LD



### Weight Capacity:



Portrait/Landscape rotation stop screw can be installed for 0° rotation.

© 2014 Ergotron, Inc. rev. 12/13/2014 DIM-WorkFitC-Mod Content is subject to change without notification

### Americas Sales and Corporate Headquarters

St. Paul, MN USA  
 (800) 888-8458  
 +1-651-681-7600  
 www.ergotron.com  
 sales@ergotron.com

### EMEA Sales

Amersfoort, The Netherlands  
 +31 33 45 45 600  
 www.ergotron.com  
 info.eu@ergotron.com

### APAC Sales

Tokyo, Japan  
 www.ergotron.com  
 japansupport@ergotron.com

### Worldwide OEM Sales

www.ergotron.com  
 info.oem@ergotron.com

ergotron®