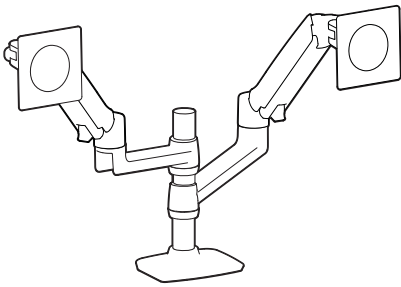
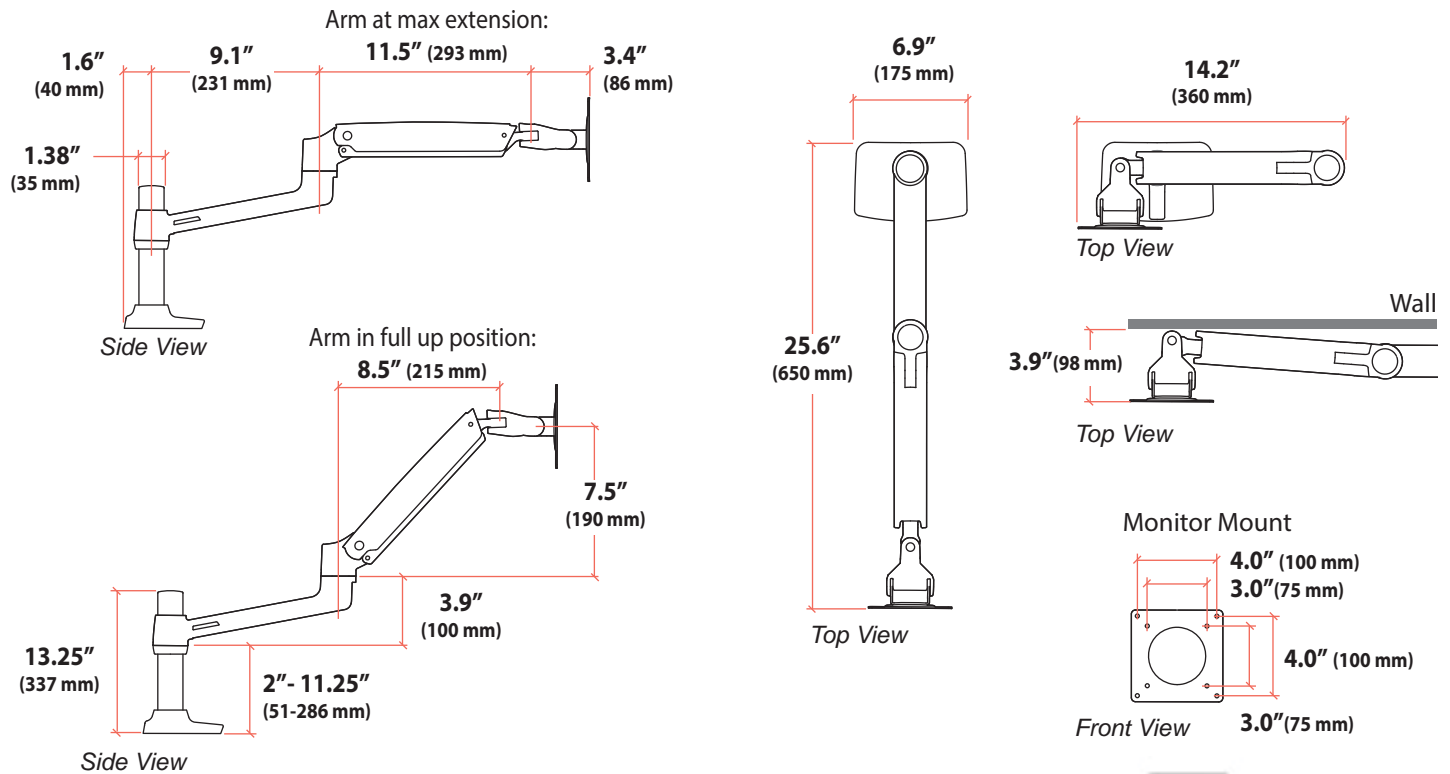


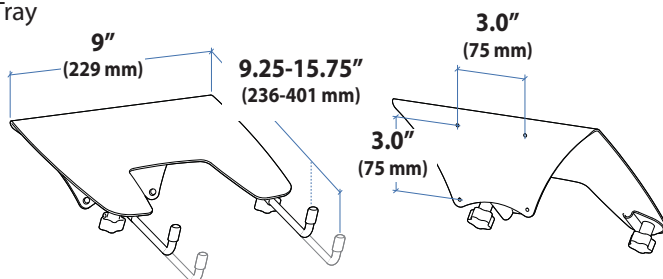
## LX Dual Stacking Arm



### Dimensions



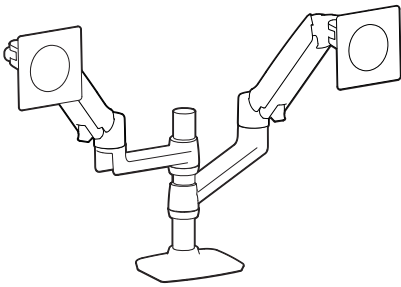
### Laptop Tray



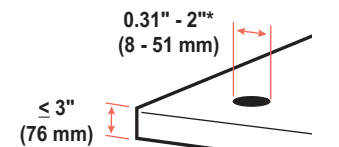
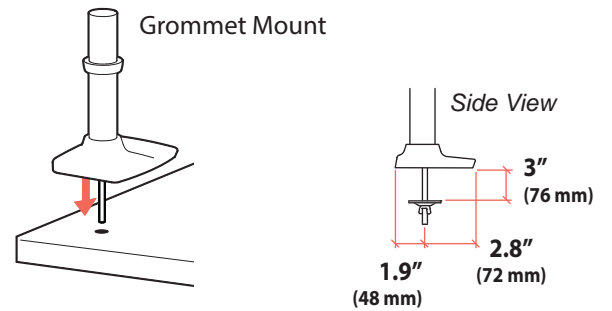
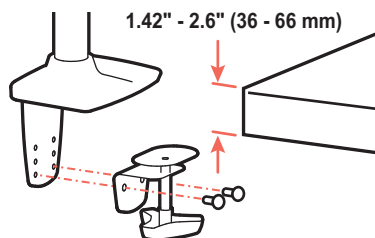
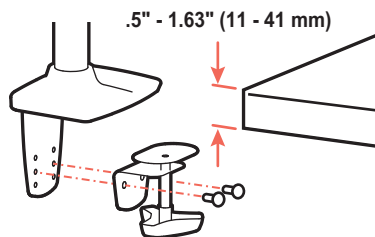
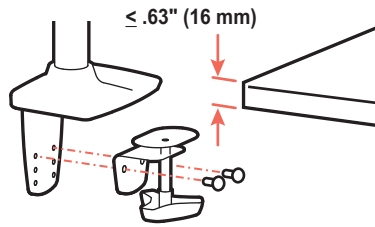
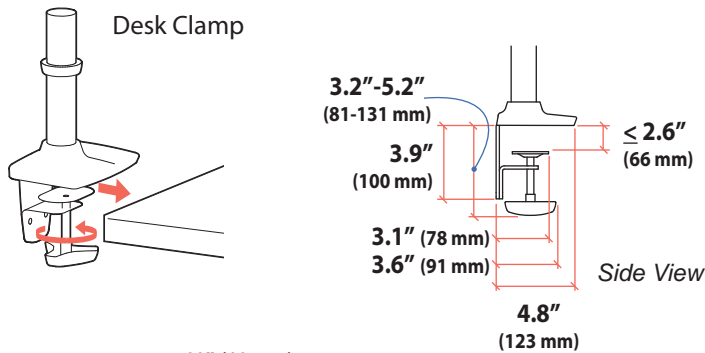
LCD Size  
≤ 24"

Americas Sales and Corporate Headquarter	EMEA Sales	APAC Sales	Worldwide OEM Sales
St. Paul, MN USA (800) 888-8458 +1-651-681-7600 www.ergotron.com insidesales@ergotron.com	Amersfoort, The Netherlands +31 33 45 45 600 www.ergotron.com info.eu@ergotron.com	Sydney, Australia www.ergotron.com apacustomerservice@ergotron.com	www.ergotron.com info.oem@ergotron.com

## LX Dual Stacking Arm

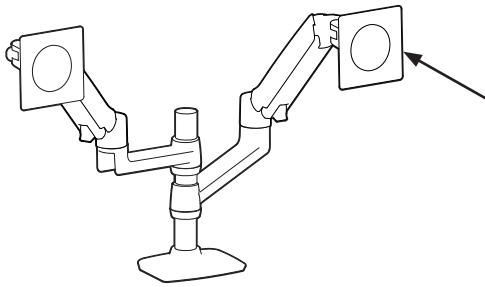


### Dimensions

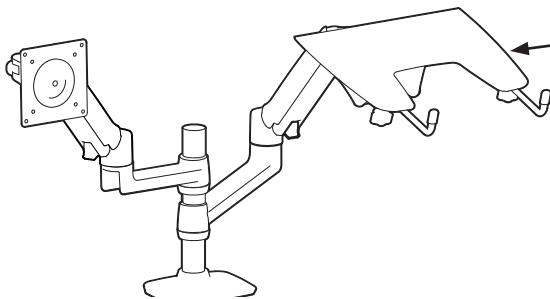


\*Bolt must be centered in hole.

## LX Dual Stacking Arm



Weight Capacity per Monitor  
 7 - 20 lbs (3.2 - 9.1 kg)  
 Monitor depth greater than 2.5" (64 mm) may diminish capacity.  
 Call Ergotron for more information.



Weight Capacity for Laptop Tray  
 0.5 - 12 lbs (0.23 - 5.4 kg)

### Range of Motion

