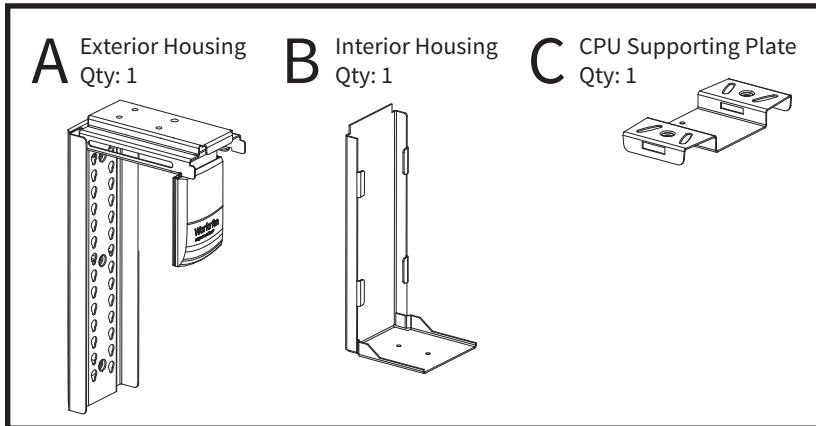
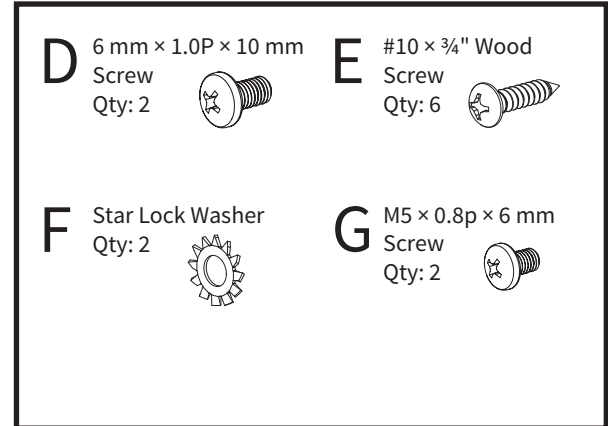


Assembly & Installation Instructions: 920 CPU Holder, 920-X

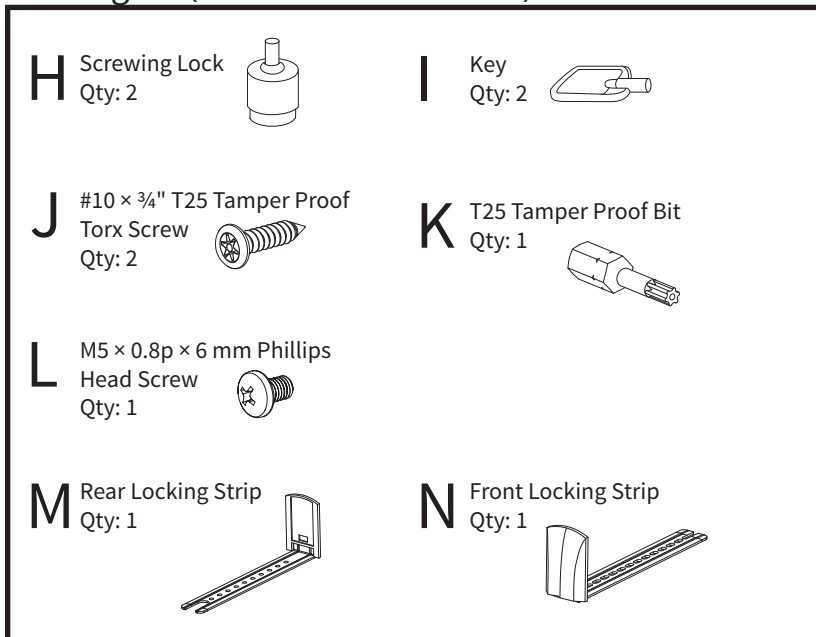
Part Included, CPU Holder (all models)



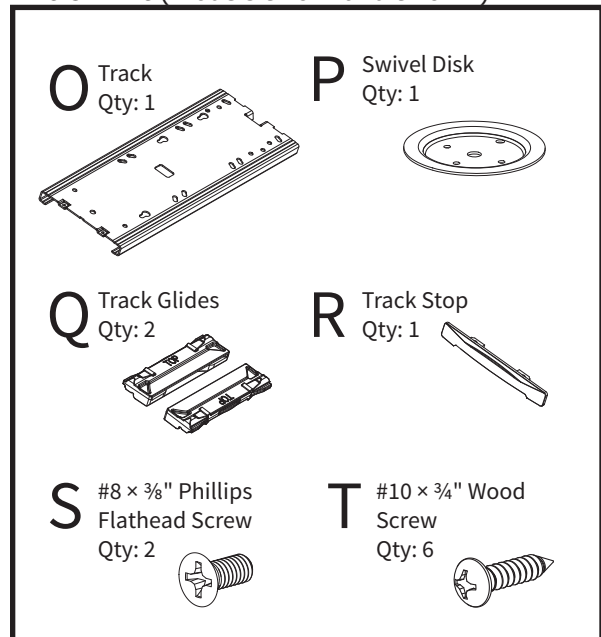
Hardware Kit (all models)



Locking Kit (models 920-FL and 920-TL)



Track Kit (models 920-T and 920-TL)



Follow the instructions below specific to your product (920-F / Fixed Mount CPU Holder, 920-FL / Fixed Mount CPU Holder w/Lock, 920-T / Slide & Swivel Track mounted CPU Holder, or 920-TL / Slide & Swivel Track mounted CPU Holder w/Lock).

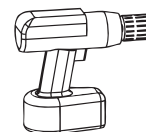
✓ Verify that you have all the hardware and tools needed for the assembly

Check your cartons against the list above to verify that you have all the parts needed.

You will need the following tools:

#2 tip Phillips screwdriver or drill/driver

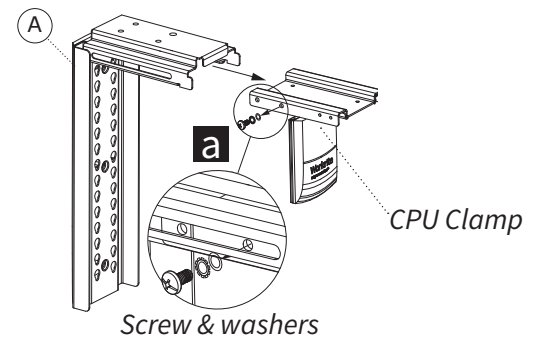
Drill with 1/8" diameter drill bit



920-F: Fixed Mount Models

1 Attach Exterior Housing to Worksurface or Wall

- a** Remove the screw and washers holding the CPU Clamp in place. Slide out CPU Clamp and set aside.
- b** Position Exterior Housing on underside of worksurface. The distance from the center of the Exterior Housing to the front of the worksurface should be at least half the depth of the CPU.
- c** Mark location of screws and drill $\frac{1}{8}$ " pilot holes. You may wish to mark your drill bit so you do not drill more than $\frac{3}{4}$ " deep and damage your worksurface. **Do not to drill through the top of the worksurface!**

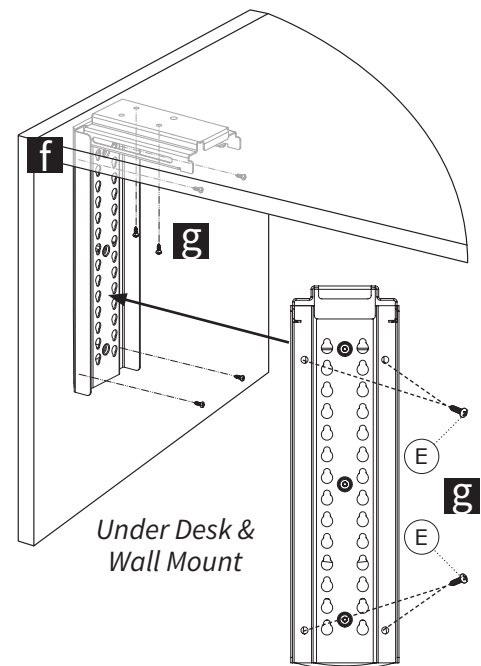
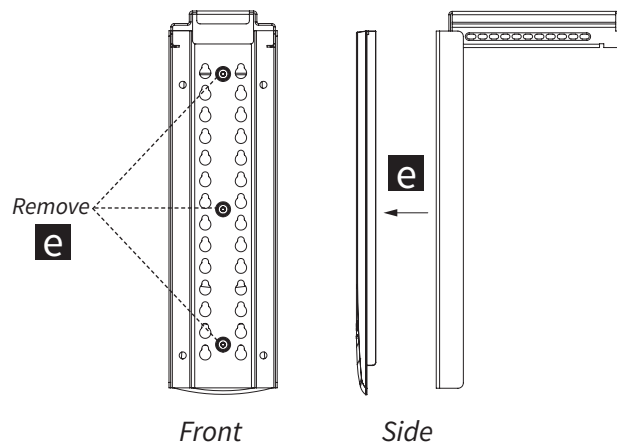
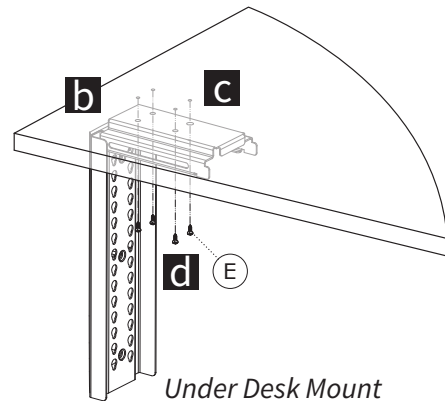


Under Desk Mount:

- d** Attach with four #10 \times $\frac{3}{4}$ " Phillips head screws (E) as shown.

Under Desk & Wall Mount:

- e** If mounting to a wall, remove plastic side cover by removing 3 Phillips screws from the interior of the Exterior Housing.
- f** Position Exterior Housing on underside of worksurface and against wall. Mark location of screws and drill $\frac{1}{8}$ " pilot holes. You may wish to mark your drill bit so you do not drill more than $\frac{3}{4}$ " deep and damage your worksurface. **Do not to drill through the top of the worksurface!**
- g** Attach to side of desk or wall with four #10 \times $\frac{3}{4}$ " Phillips head screws (E) and optionally use 2 remaining screws to attach to underside of desk as shown.



2 Adjust Brackets for Your Computer Size

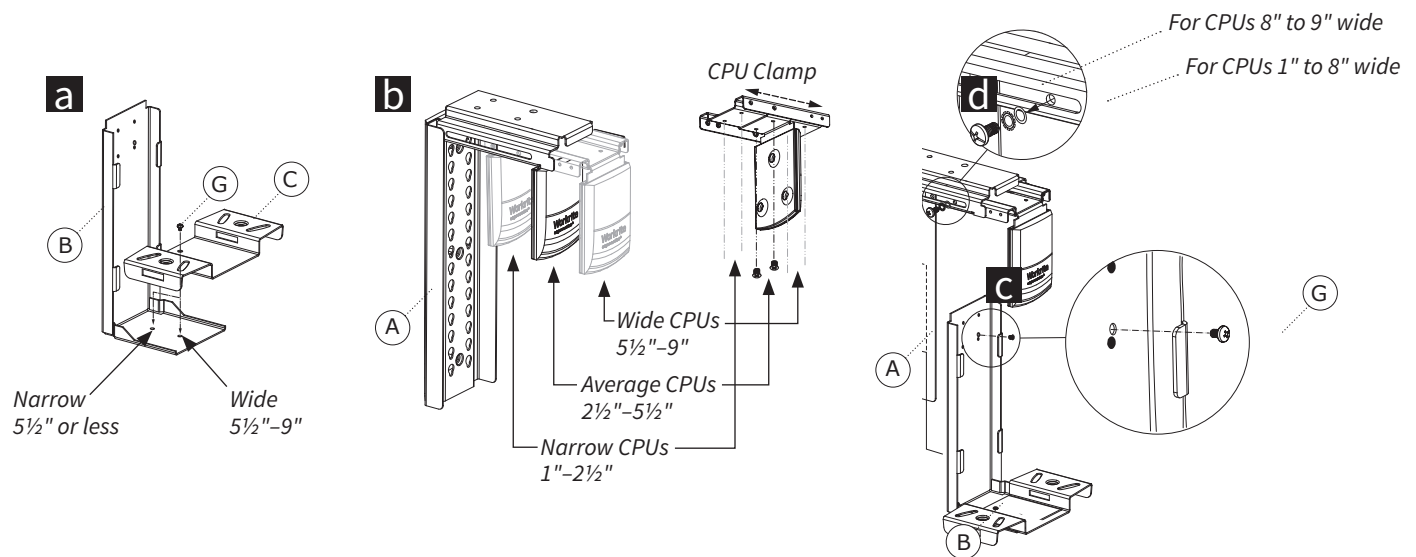
a Attach CPU Supporting Plate (C) to Interior Housing (B) in wide or narrow size based on CPU width. Use the narrow position if your CPU is 5½" wide or less. For larger CPUs use the wide position.

b Adjust the CPU Clamp if necessary. To adjust the Clamp, remove the two Phillips head screws and move the angle bracket, then reinstall the screws.

The CPU Clamp is pre-configured in the middle position for CPUs from 2½" wide to 5½" wide.
For CPUs from 1" to 2½" wide, use the narrow position.
For CPUs from 5½" to 9" wide, use the wide position.

c Hang the Interior Housing (B) onto Exterior Housing (A) as high as possible to fit CPU and secure with M5 × 0.8p 6 mm Screw (G).

d Loosely attach CPU Clamp with screw and washers from CPU Clamp as shown. For CPUs 8" to 9" wide, use the hole to the left.

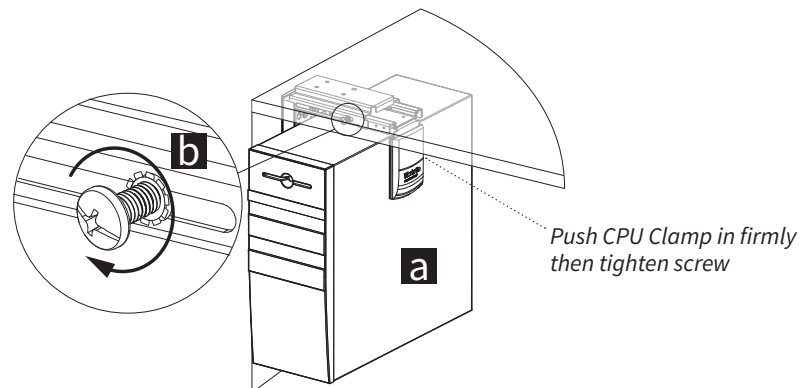


3 Insert CPU and Secure CPU Clamp

a Place CPU onto holder making sure to balance on the CPU Support Plate (C).

b Slide CPU Clamp firmly against the CPU to hold in place and then tighten screw.

Confirm that CPU is firmly held in place.
Adjust clamp if necessary.



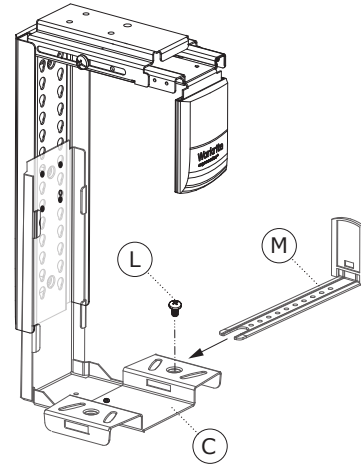
920-FL: Fixed Mount CPU Holder With Lock

1 Attach Brackets and Adjust for computer size

Follow **Step 1 and 2** on the previous pages for 920-F / Fixed Mount CPU Holder, then continue to **Step 2** below.

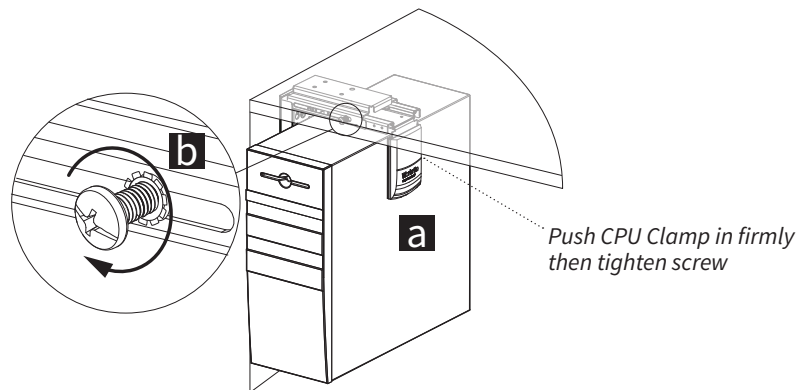
2 Insert rear locking mechanism

Install the Rear Locking Strip (M) into the CPU Supporting Plate (C). Measure from the center of the shelf to $\frac{1}{2}$ the depth of the CPU to the inside of the lock bar and install one M5 \times 0.8p \times 6 mm (L).



3 Insert CPU and Secure CPU Clamp

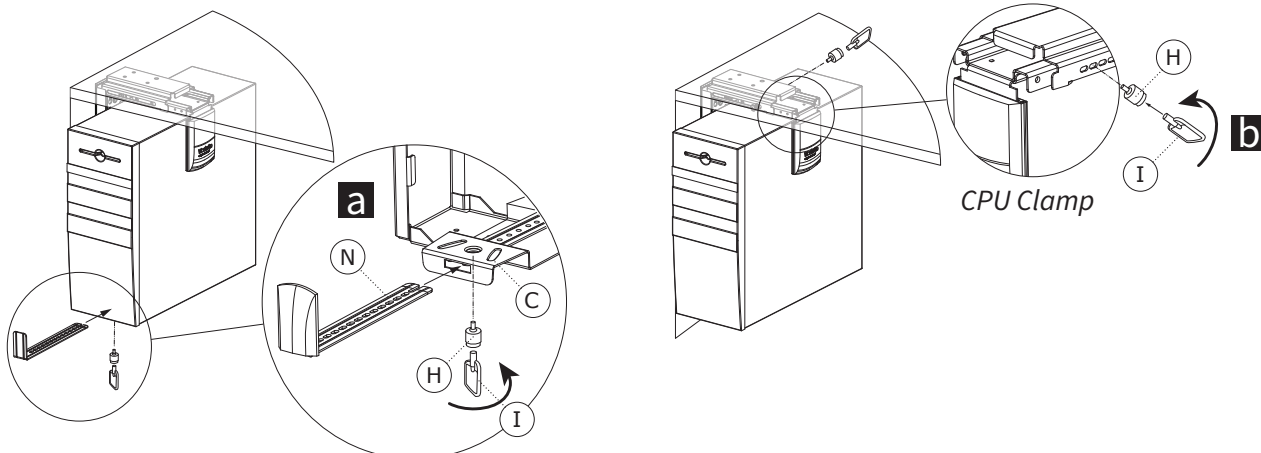
- a** Place CPU onto the CPU Holder and against the Rear Locking Strip (M) making sure to balance on the CPU Support Plate (C).
- b** Slide CPU Clamp firmly against the CPU to hold in place and then tighten screw.



4 Attach Front Locking Strip and Lock CPU in Place

- a** Insert Front Locking Strip (N) into slot in the front slot of the CPU Support Plate (C) and secure with Screwing Lock (H) using Key (I).
- b** Secure CPU Clamp on the opposite side with the other Screwing Lock (H) using Key (I) by inserting Screwing Lock into the secure side hole that aligns with the screw receptacle.

Confirm that CPU is securely locked in place. Adjust clamps or locks if necessary.



920-T / Slide & Swivel Track Mount CPU Holder

1 Position and Mount Track

Front to Back Slide

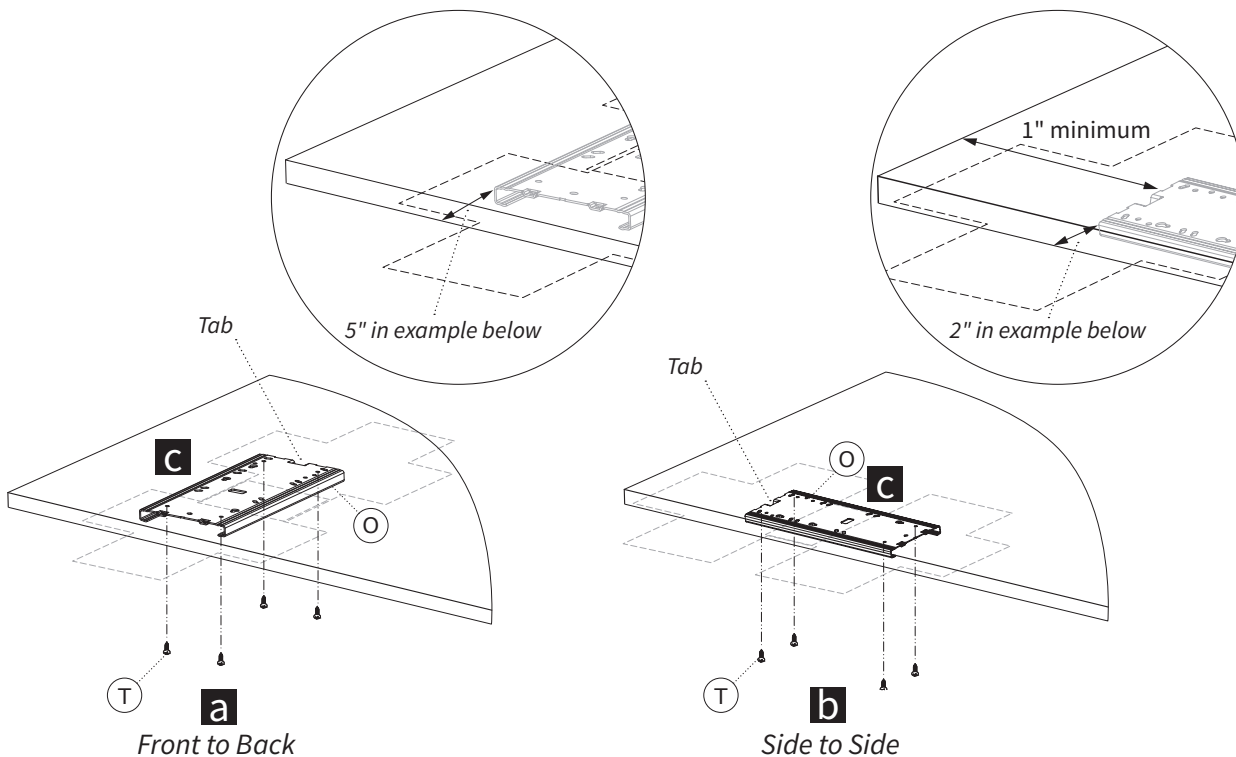
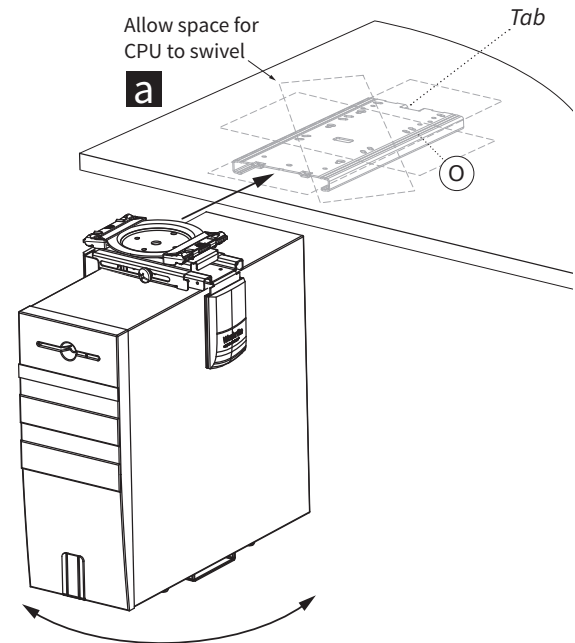
- a** If there is enough room to swivel the CPU, align the track perpendicular to the front of the desk or parallel to the side as shown, or...

Side to Side Slide

- b** The sideways mount is recommended for workcenter installations so the CPU holder cannot slide back into a position where it can be damaged between a cross bar and the top or interfere with below desk accessories. This is a safety concern and one of the key reasons to use a sideways track mount.

- c** Mark location of screws and drill pilot holes no larger than $\frac{1}{8}$ " diameter, being careful not to drill through the top of the worksurface. **Do not to drill through the top of the worksurface!**

With the Track (O) aligned so that the extended center "Tab" is either closest to the wall or the rear of the desk, affix Track to under surface of desk in parallel or perpendicular orientation using four #10 \times $\frac{3}{4}$ " Wood Screw (T).



MINIMUM for Front to Back Slide: CPU width \div 2 - 3"

To prevent the CPU protruding from the front of the desk after the track is positioned, the distance from the front edge of the track to the front edge of the desk should be at least $\frac{1}{2}$ the depth of the CPU minus 3".

For example, for a 16" deep CPU, the front of the track edge should be at least 5" set back from the front edge of the desk:

$$16"/2 = 8"; 8" - 3" = 5"$$

MINIMUM for Side to Side Slide: CPU width \div 2 - 1"

To prevent the CPU protruding from the front of the desk after the track is positioned, the distance from the side edge of the track to the front edge of the desk should be at least $\frac{1}{2}$ the width of the CPU minus 1".

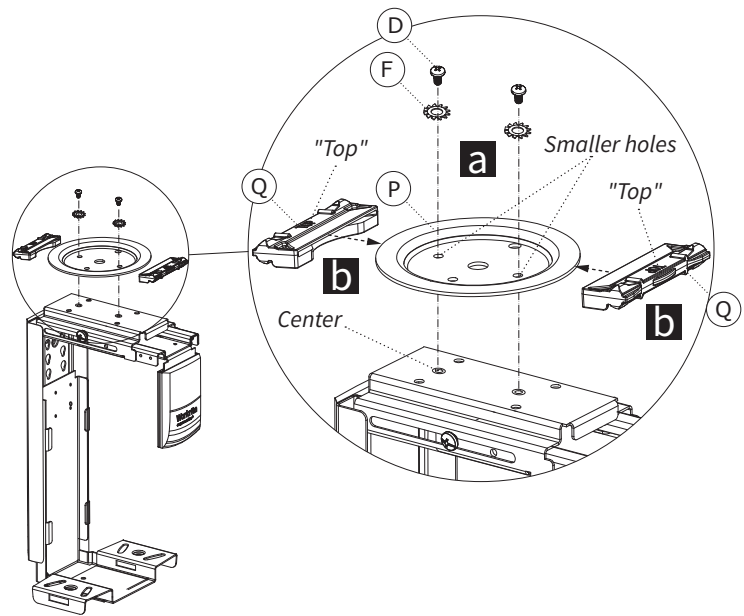
Note: in some applications, you may wish to mount track further back on desk.

For example, for a 6" wide CPU, the front of the track edge should be at least 2" set back from the front edge of the desk:

$$6"/2 = 3"; 3" - 1" = 2"$$

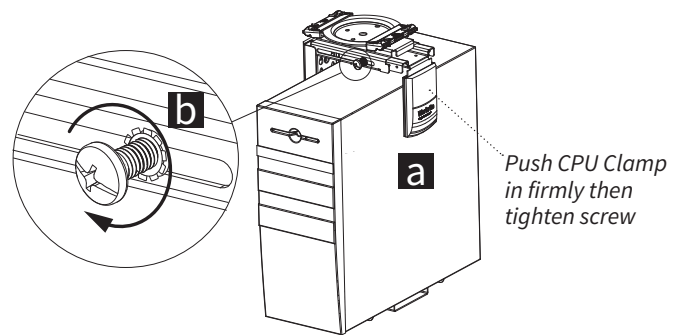
2 Assemble Swivel Disk

- a** Attach Swivel Disk (P) to top of Exterior Housing with two 6 mm × 1.0P × 10 mm Screw (D) and Star Lock Washers (F) as shown.
- b** Attach Track Glides (Q) onto Swivel Disk with the word "TOP" facing up.



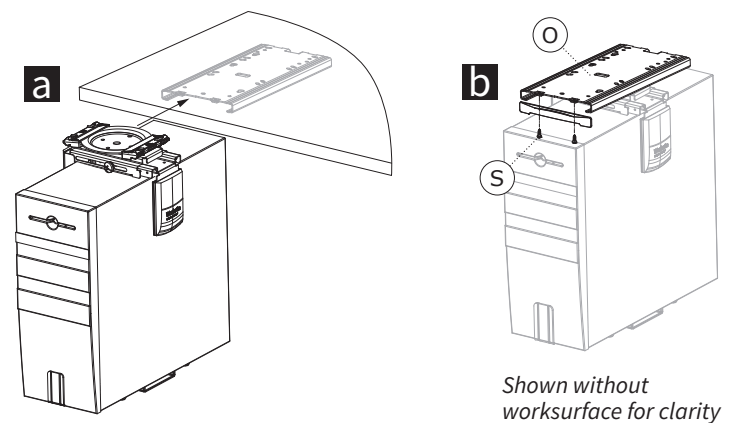
3 Insert CPU and Secure CPU Clamp

- a** Place CPU onto the CPU Holder and against the Rear Locking Strip (M) making sure to balance on the CPU Support Plate (C).
- b** Slide CPU Clamp firmly against the CPU to hold in place and then tighten screw.



4 Insert CPU and Housing Into Track

- a** Slide Swivel Disk with Track Glides into Track.
- b** Attach Track Stop (R) to front of Track using the two #8 × 3/8" Phillips Flathead Screws (S).



920-TL / Slide & Swivel Track Mount CPU Holder w/Lock

1 Attach Track, adjust brackets and assemble Swivel Disk

Follow **Steps 1-3** for 920-T / Slide & Swivel Track Mount CPU Holder on **pages 5-7**.

2 Insert rear locking mechanism

Follow **Step 2-4** for 920-FL / Fixed Mount CPU Holder w/Lock on **page 4**.

3 Insert CPU and Housing Into Track (locking version)

Follow **Step 4** for 920-T / Slide & Swivel Track Mount CPU Holder on **page 6**. Use the T25 Tamper Proof Torx Bit (K) to attach the two T25 Tamper Proof Torx Screws (J) to secure the Track Stop instead of the #8 × 3/4" Phillips Flathead Screws (S).

