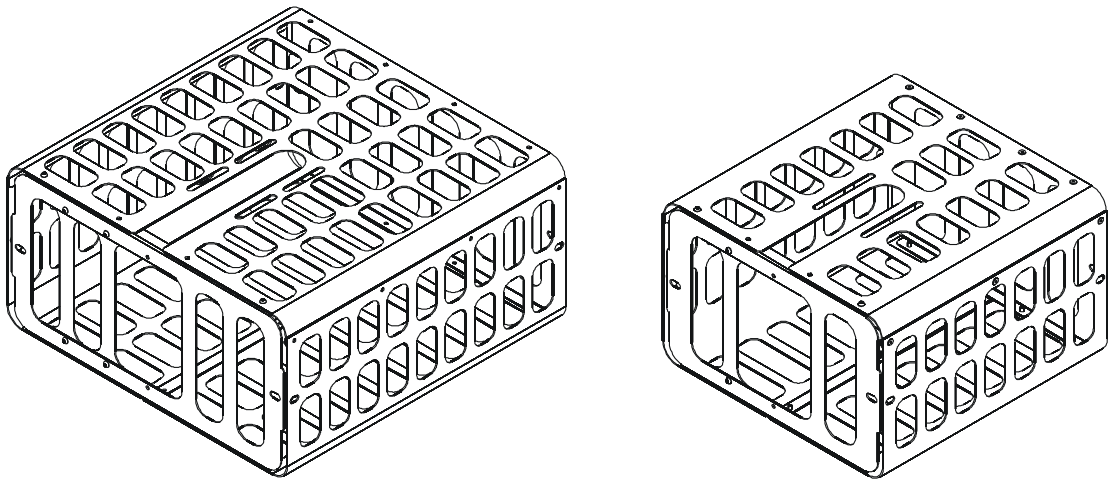


---

# INSTALLATION INSTRUCTIONS

---



---

## Projector Guard Security Cage

---

**DISCLAIMER**

CSAV, Inc., and its affiliated corporations and subsidiaries (collectively, "CSAV"), intend to make this manual accurate and complete. However, CSAV makes no claim that the information contained herein covers all details, conditions or variations, nor does it provide for every possible contingency in connection with the installation or use of this product. The information contained in this document is subject to change without notice or obligation of any kind. CSAV makes no representation of warranty, expressed or implied, regarding the information contained herein. CSAV assumes no responsibility for accuracy, completeness or sufficiency of the information contained in this document.



**WARNING:** Failure to read, thoroughly understand, and follow all instructions can result in serious personal injury, damage to equipment, or voiding of factory warranty! It is the installer's responsibility to make sure all components are properly assembled and installed using the instructions provided.



**WARNING:** Failure to provide adequate structural strength for this component can result in serious personal injury or damage to equipment! It is the installer's responsibility to make sure the structure to which this component is attached can support five times the combined weight of all equipment. Reinforce the structure as required before installing the component.



**IMPORTANT WARNINGS AND CAUTIONS!**



**WARNING:** A WARNING alerts you to the possibility of serious injury or death if you do not follow the instructions.



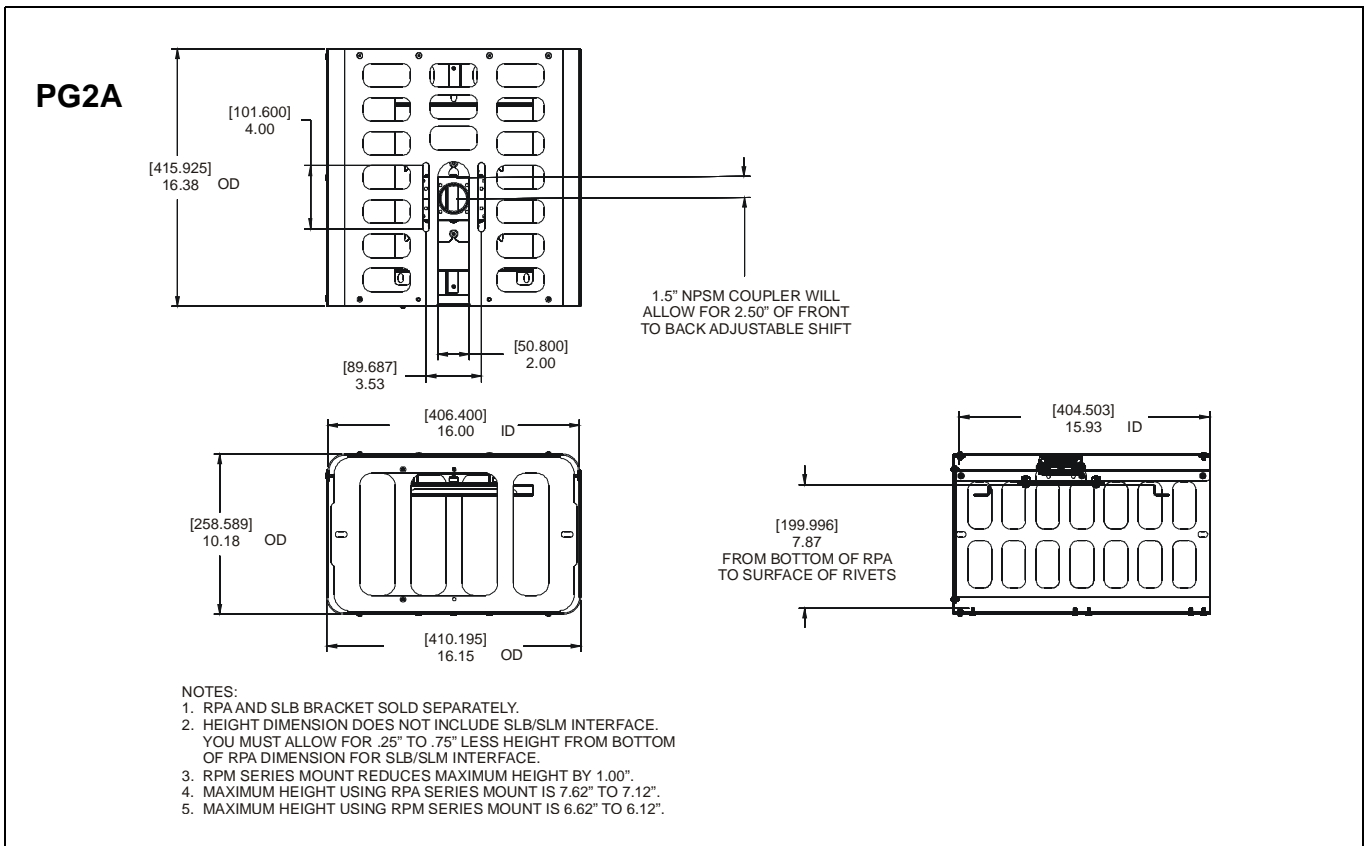
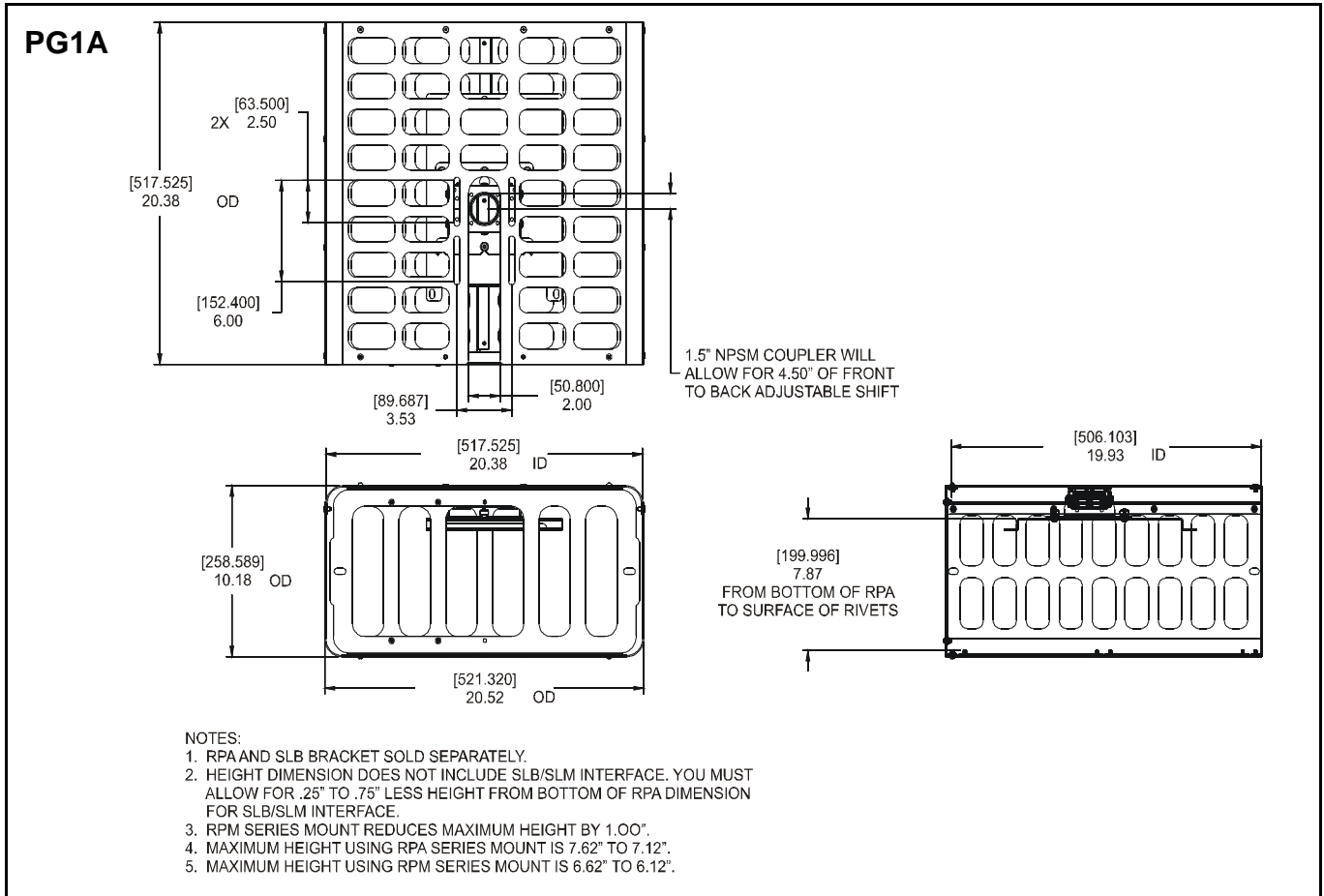
**CAUTION:** A CAUTION alerts you to the possibility of damage or destruction of equipment if you do not follow the corresponding instructions.

**PROJECTOR GUARD SPECIFICATIONS**


Model	Dimensions			Projector Size Limit		
	Height	Width	Depth	Height	Width	Depth
PG-1A	10.18" 258.589mm	20.52" 521.320mm	20.38" 517.525mm	7.50" * 19.05 cm	20.375" 51.75 cm	20.00" 50.8 cm
PG-2A	10.18" 258.589mm	16.15" 410.195mm	16.38" 415.925mm	7.50" * 19.05 cm	16.00" 40.64 cm	16.00" 40.64 cm

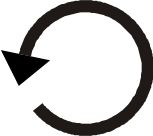
\* Height dimension from bottom of RPA to surface of rivets (at bottom of projector guard). Height dimension does **NOT** include SLB/SLM interface. You must allow for .25" to .75" less height to account for the SLB/SLM interface.  
 RPM series mount reduces maximum height by 1.00".  
 Maximum height using RPA series mount is 7.25" to 6.75".  
 Maximum height using RPM series mount is 6.25" to 5.75".


The PG1A weighs 19.95 lbs (9.06 kg)  
 The PG2A weighs 15.20 lbs (6.88 kg)




## LEGEND


	<b>Tighten Fastener</b>
	Apretar elemento de fijación
	Befestigungsteil festziehen
	Apertar fixador
	Serrare il fissaggio
	Bevestiging vastdraaien
Serrez les fixations	


	<b>Loosen Fastener</b>
	Aflojar elemento de fijación
	Befestigungsteil lösen
	Desapertar fixador
	Allentare il fissaggio
	Bevestiging losdraaien
Desserrez les fixations	


	<b>Phillips Screwdriver</b>
	Destornillador Phillips
	Kreuzschlitzschraubendreher
	Chave de fendas Phillips
	Cacciavite a stella
	Kruiskopschroevendraaier
Tournevis à pointe cruciforme	


	<b>Open-Ended Wrench</b>
	Llave de boca
	Gabelschlüssel
	Chave de bocas
	Chiave a punta aperte
	Steeksleutel
Clé à fourche	


	<b>By Hand</b>
	A mano
	Von Hand
	Com a mão
	A mano
	Met de hand
À la main	


	<b>Hex-Head Wrench</b>
	Llave de cabeza hexagonal
	Sechskantschlüssel
	Chave de cabeça sextavada
	Chiave esagonale
	Zeskantsleutel
Clé à tête hexagonale	


	<b>Pencil Mark</b>
	Marcar con lápiz
	Stiftmarkierung
	Marcar com lápis
	Segno a matita
	Potloodmerkten
Marquage au crayon	

	<b>Drill Hole</b>
	Perforar
	Bohrloch
	Fazer furo
	Praticare un foro
	Gat boren
Percez un trou	

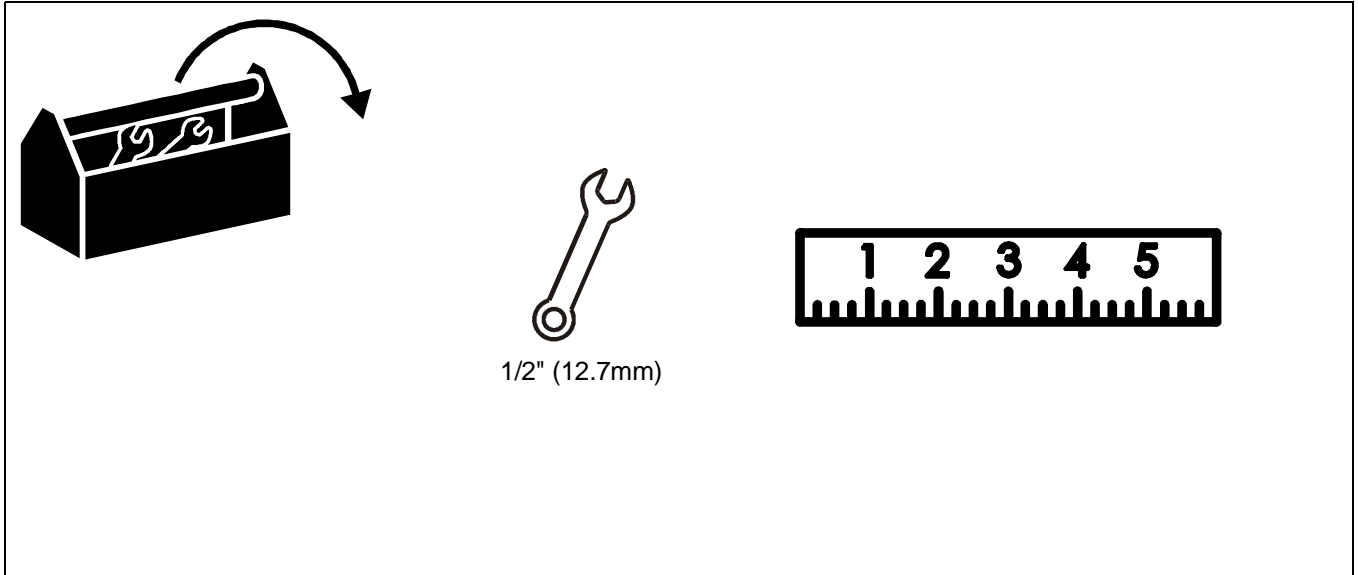
	<b>Adjust</b>
	Ajustar
	Einstellen
	Ajustar
	Regolare
	Afstellen
Ajuster	

	<b>Remove</b>
	Quitar
	Entfernen
	Remover
	Rimuovere
	Verwijderen
Retirez	

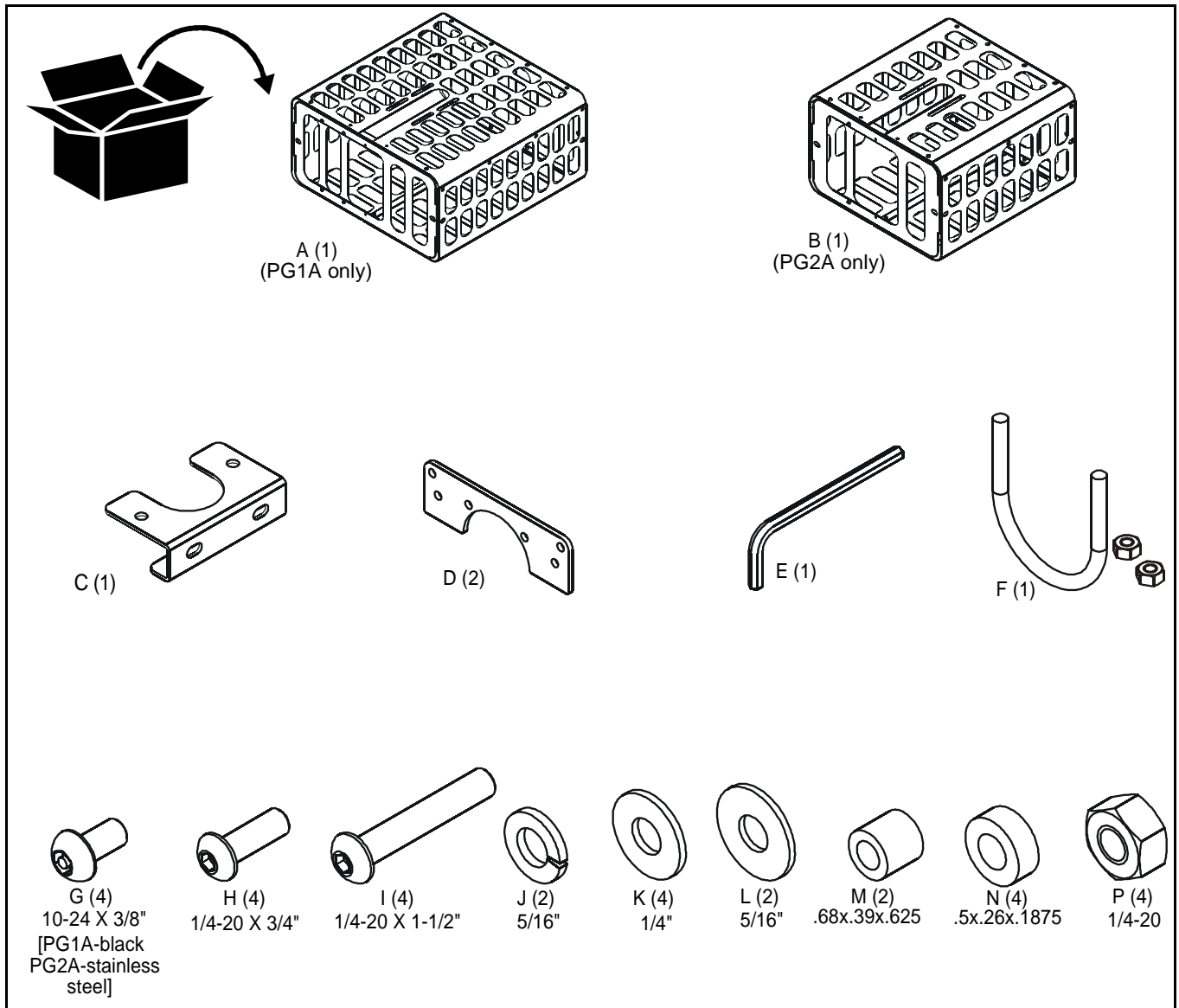
	<b>Optional</b>
	Opcional
	Optional
	Opcional
	Opzionale
	Optie
En option	

	<b>Security Wrench</b>
	Llave de seguridad
	Sicherheitsschlüssel
	Chave de segurança
	Chiave di sicurezza
	Veiligheidssleutel
Clé de sécurité	

**TOOLS REQUIRED FOR INSTALLATION**



**PARTS**



## Assembly And Installation

**NOTE:** The PG1A and PG2A should not be used in a flush ceiling mount.

**NOTE:** The projector must be removed from the mount before installing this accessory.

### Removing Projector from Ceiling Mount

1. Power off the projector and disconnect the power cord.
2. Disconnect any audio/video cables from the projector.
3. Loosen the thumbnuts securing the projector to the RPA/RPM mount. (See Figure 1)

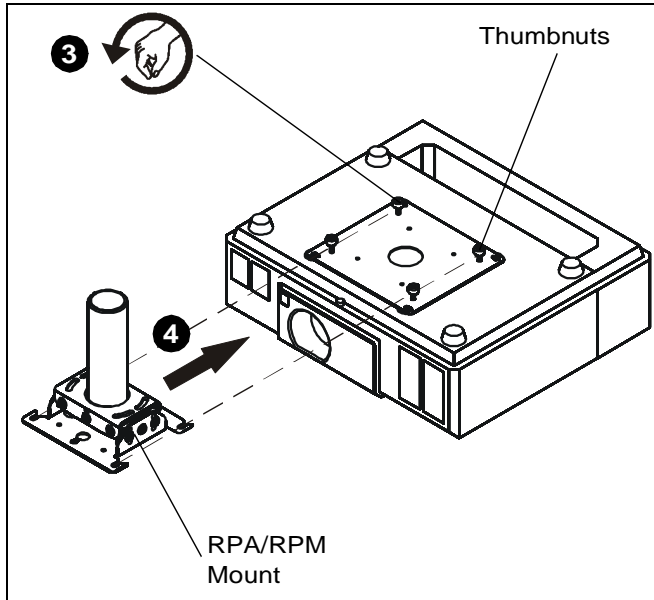


Figure 1

4. Carefully slide the projector forward until it disengages from the RPA/RPM mount.

### Attaching Interface Bracket to RPM/RPA

1. **For the RPM only**, prepare two interface brackets (D) using four 1/4-20X3/4" buttonhead screws (H), four 1/4" flat washers (K) and four 1/4" hex nuts (P). (See Figure 2)

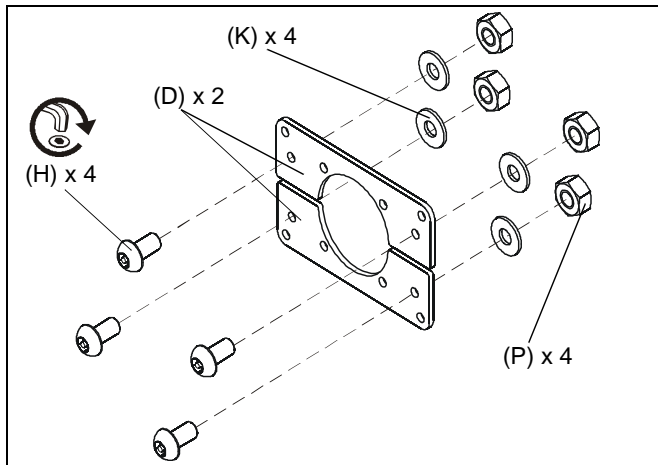


Figure 2

2. Attach two interface brackets (D) to RPM using four 1/4-20 x 1-1/2" buttonhead cap screws (I) and four nylon spacers (N). (See Figure 3)

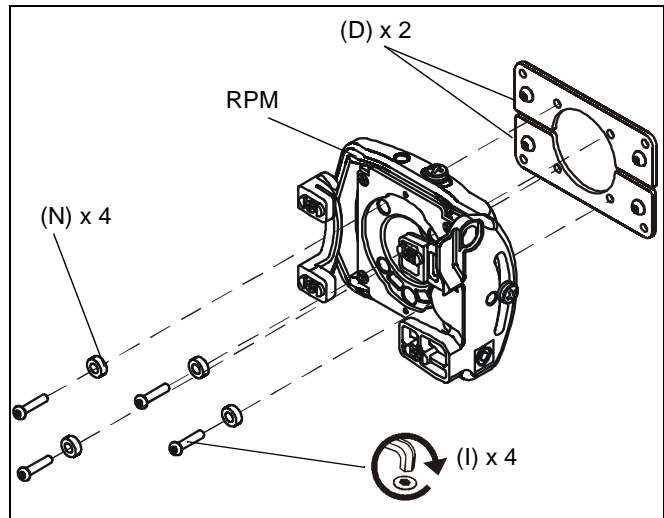


Figure 3

3. **For the RPA only** attach two interface brackets (D) to the RPA using four 1/4-20x3/4" buttonhead screws (H), four 1/4" flat washers (K) and four 1/4" hex nuts (P). (See Figure 4)

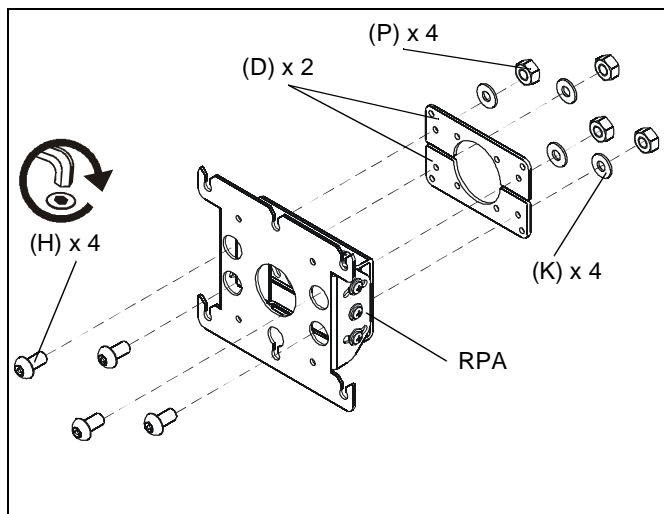


Figure 4

### Configure Fillers on the Projector Guard

**NOTE:** The open cutout in the projector guard is designated as the **FRONT** of the guard.

1. Remove and keep the security screws from the top and bottom of the front except for the two screws on the right side of the projector guard. (See Figure 5)

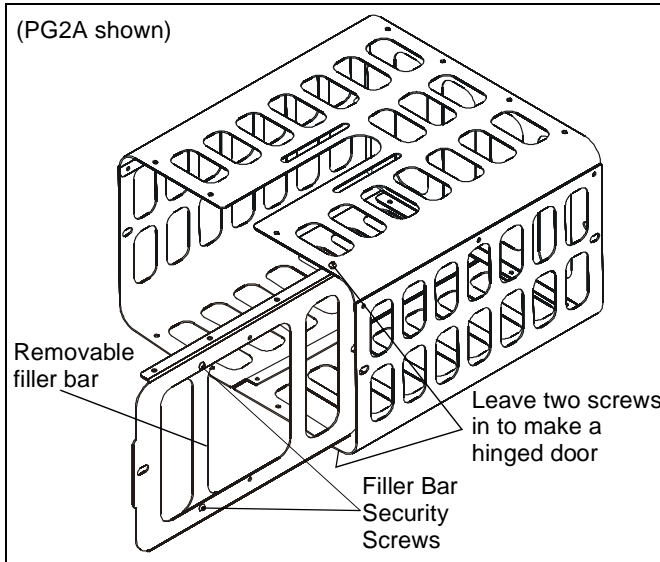


Figure 5

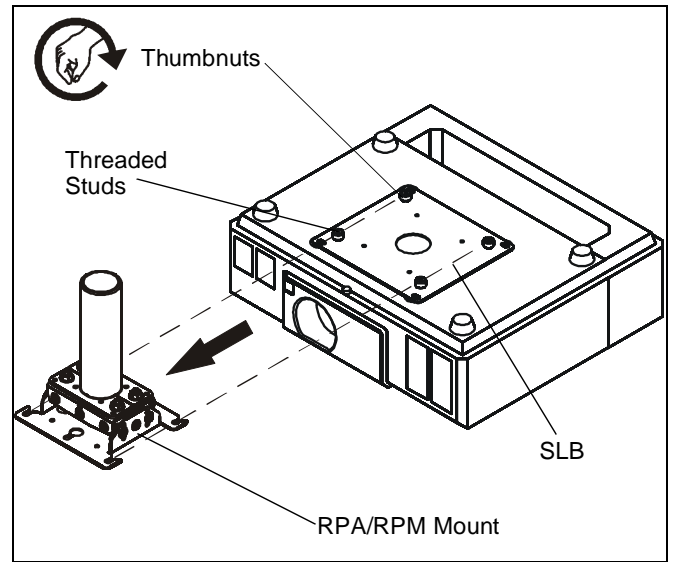


Figure 6

- Place projector inside the projector guard (See Figure 5)

**NOTE:** The front fillers serve two different purposes, and the number of fillers varies between the PG-1A and PG-2A. The front filler(s) can be installed to accommodate the various projector lens positions.

- Check the position of the front filler(s) to ensure the projector lens is unobstructed.
- To move the filler(s), remove the two security screws from each filler.
- Change the filler(s) position as necessary, and reinstall the security screws.
- Remove the projector from the projector guard.

**Install Projector on RPA/RPM**

- Ensure the SLB is installed on the projector. (See Figure 6) If the SLB needs to be installed, install it according to the installation instructions provided with the SLB.
- To connect the RPA to a new projector, refer to the installation instructions provided with the RPA.
- For a pole-mounted RPA, slide the slotted openings on the RPA into the threaded studs on the SLB. (See Figure 6) Fasten the RPA to the SLB with thumbnuts and handtighten.

**Install Projector Guard on Pole-Mounted Projector**

- Remove the four 1/4" flat washers (K) and four 1/4" hex nuts (P) from on top of the RPA/RPM mount. (See Figure 7)

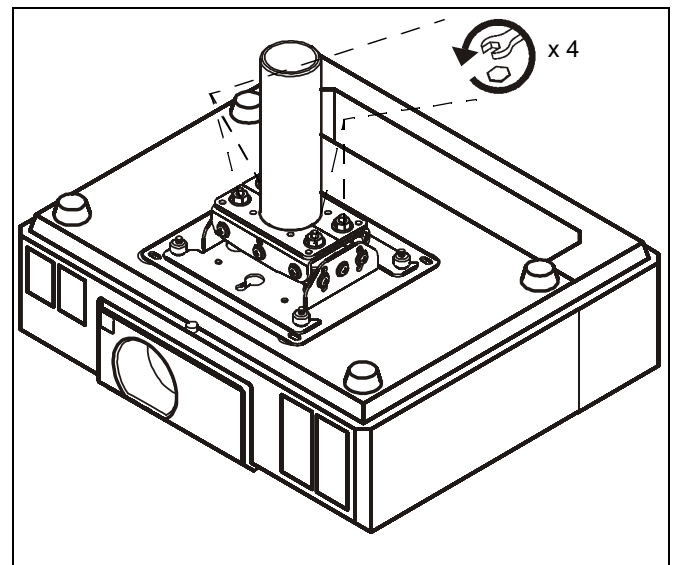


Figure 7

- Slide the projector guard (A or B) into position over the projector, while aligning the slots on the projector guard with the screws in the RPA/RPM mount. (See Figure 8)
- Align the projector to sit evenly in the projector guard (A or B).
- Reinstall the 1/4" hex nuts (P) and 1/4" washers (K) onto the screws (H). (See Figure 8)

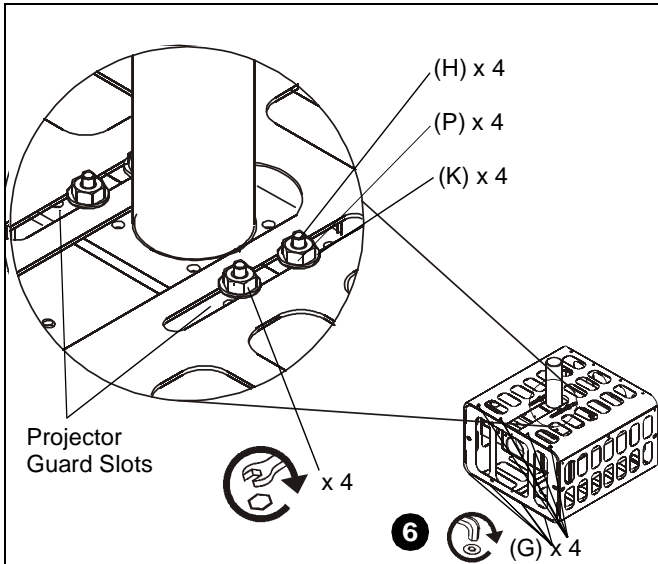


Figure 8

5. Close the hinged door on the projector guard and reinstall the two security screws which were removed in Step 1 of **Configure Fillers on the Projector Guard**.
6. Install four 10-24x3/8" security screws (G) in remaining four holes. (See Figure 8)

**NOTE:** A padlock may be placed on the projector guard for added security. (See Figure 9)

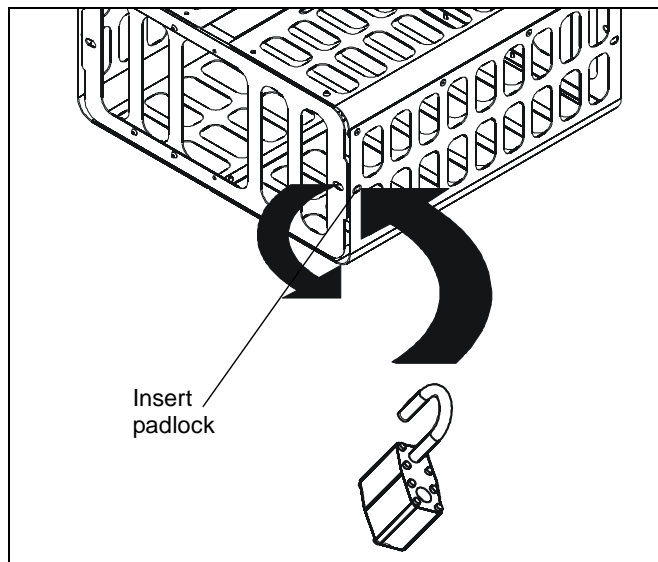


Figure 9

**Install Projector Guard Using a Pipe Clamp**

**NOTE:** Installation using a 1" or 1-1/2" diameter Schedule 40 steel pipe with 1-1/2" NPT threads requires securing the pipe to the building structure. We suggest using a CMA ceiling plate to secure the pipe to a structural member.

1. Using the projector, security mount and NPT pipe, determine the height location to install the locking collar (top of security mount).

2. Install the clamp and fasteners as follows:
  - a. **For 1-1/2" NPT** install the clamp at the desired height and secure using the U-bolt, two flat washers, two lock washers, and two 5/16-18 hex nuts (provided with U-bolt). (See Figure 10)

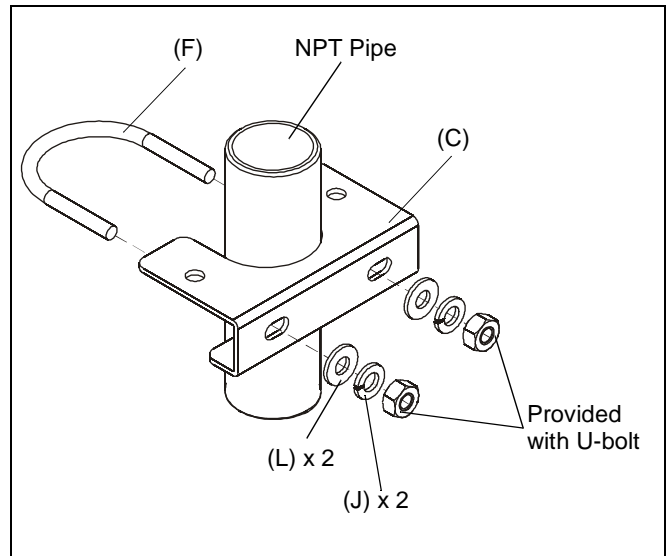


Figure 10

- b. **For 1" NPT** install the clamp at the desired height and secure using the U-bolt, two nylon spacers, two flat washers, and two 5/16-19 hex nuts (provided with U-bolt). (See Figure 11)

3. Install the projector on the 1" or 1-1/2" NPT pipe.

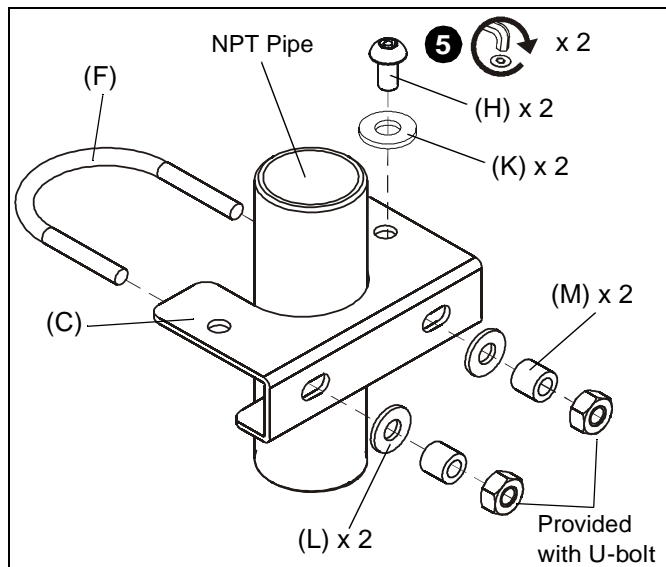


Figure 11

4. Slide the projector guard over the clamp assembly and select the desired mounting slots in the projector guard.
5. Secure the projector guard to the clamp using two 1/4-20 x 3/4" buttonhead screws and two flat washers. (See Figure 11)

**NOTE:** A padlock may be placed on the projector guard for added security. (See Figure 9)







8803-000059 RevD  
©2007 Chief Manufacturing  
[www.chiefmfg.com](http://www.chiefmfg.com)  
10/07

<b>USA/International</b>	<b>A</b> 8401 Eagle Creek Parkway, Savage, MN 55378 <b>P</b> 800.582.6480 / 952.894.6280 <b>F</b> 877.894.6918 / 952.894.6918
<b>Europe</b>	<b>A</b> Fellenoord 130 5611 ZB EINDHOVEN, The Netherlands <b>P</b> +31 (0)40 2668620 <b>F</b> +31 (0)40 2668615
<b>Asia Pacific</b>	<b>A</b> Room 30I, Block D, Lily YinDu International Building LuoGang, BuJi Town, Shenzhen, CHINA. Post Code: 518112 深圳市布吉罗岗百合银都国际大厦D栋30I <b>P</b> +86-755-8996 9226 ; 8996 9236 ; 8996 9220 <b>F</b> +86-755-8996 9217