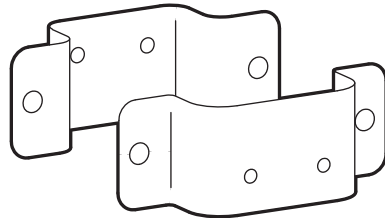


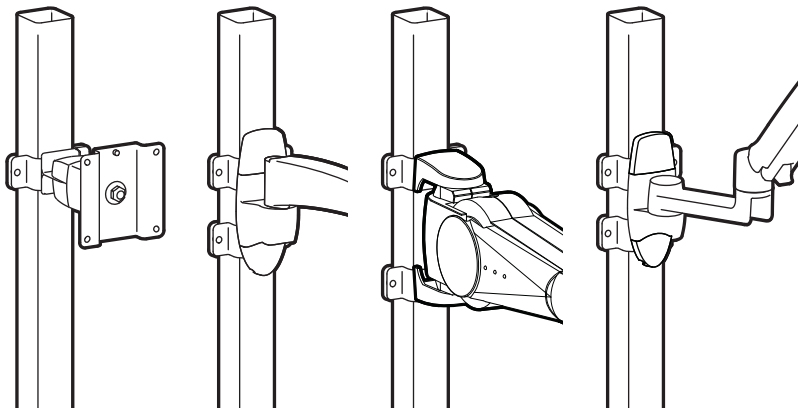
ergotron®

Command Post Brackets

For Flat Panel Monitor & Keyboard Mounting Solutions



100 Series Direct Mount Pivots, 200 Series, 400 Series & LX Arms



EN User Guide

ES Guía del usuario

FR Manuel de l'utilisateur

DE Benutzerhandbuch

JA ユーザーガイド

ZH 用户指南

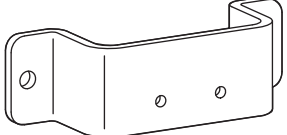
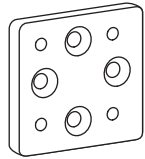





NL Gebruikersgids

IT Guida per l'utente


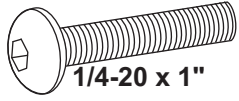




SV Användarhandbok

www.ergotron.com | USA: 1-800-888-8458 | Europe: +31 (0)33-45 45 600 | China: 400-120-3051 | Japan: japansupport@ergotron.com

For: 100 Series Direct Mount Pivots

	A	B
1	 2x	
2	 1x	 2x 1/4-20 x 1"
3	 1x 3/32"	 2x 1/4-20
4	 1x 1/8"	 2x 10-24 x 3/8"

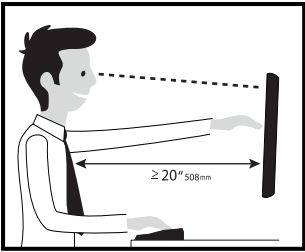
For: 200 Series, 400 Series & LX Arms

	A	B
1	 4x	
2	 4x 1/4-20 x 1"	
3	 1x 3/32"	 4x 1/4-20
4	 1x 1/8"	 8x 10-24 x 3/8"



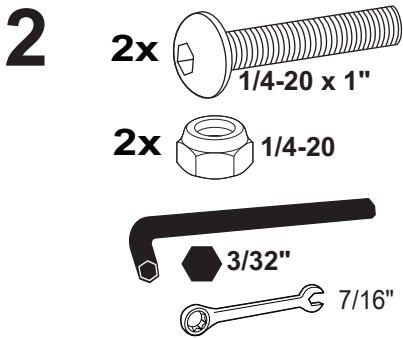
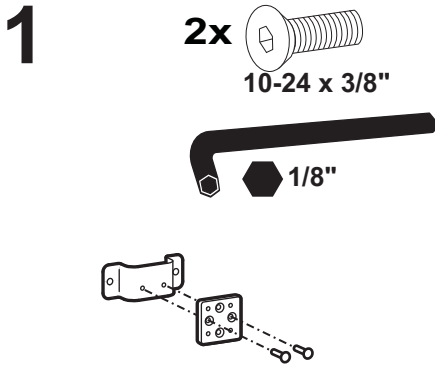
- EN** Tools Needed
- ES** Herramientas necesarias
- FR** Outillage requis
- DE** Benötigtes Werkzeug
- JA** 必要なツール
- ZH** 需要的工具
- NL** Benodigde gereedschappen
- IT** Utensili necessari
- SV** Verktyg som behövs



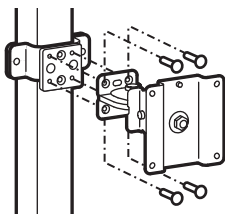


Learn more about ergonomic mounting heights and computer use at:
www.ergotron.com/ergonomics

100 Series Direct Mount Pivots

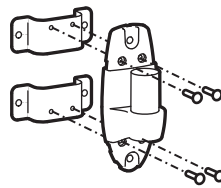
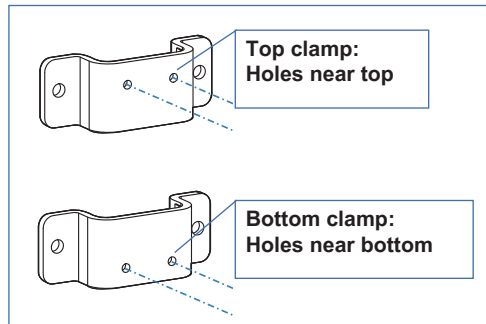


3 Use instructions and fasteners provided with pivot.

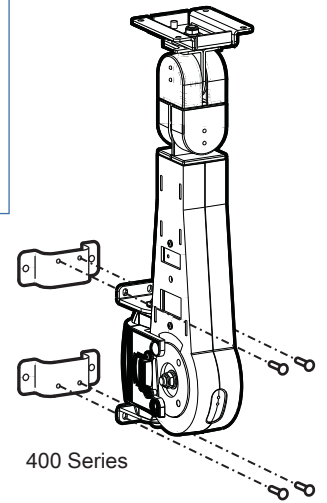


200 Series, 400 Series & LX Arms

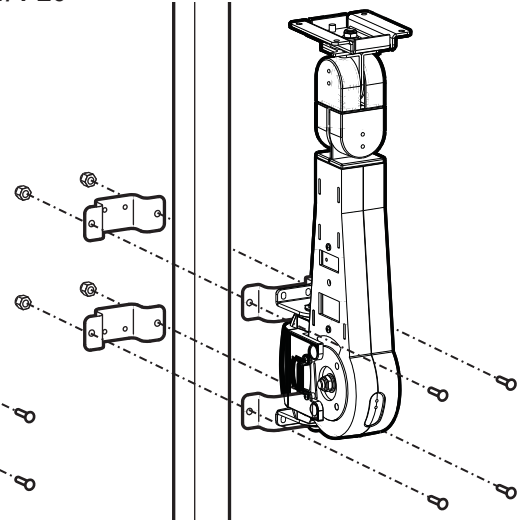
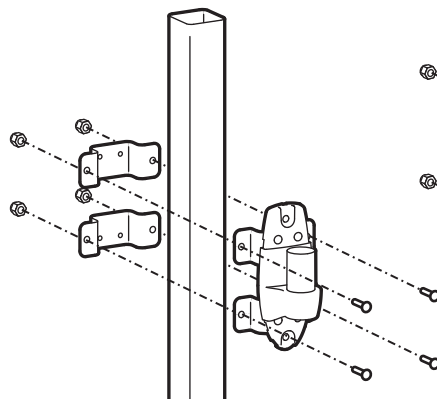
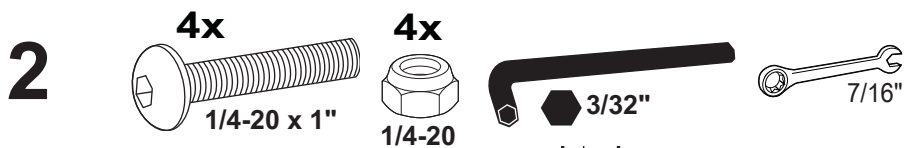
1 Use instructions and fasteners provided Arm.
 NOTE: Components can also be mounted on the other side of the clamps to allow back-to-back configurations.



200 Series, LX



400 Series



- EN** For the latest User Installation Guide please visit: www.ergotron.com
For Warranty visit: www.ergotron.com/warranty
For Service visit: www.ergotron.com
For local customer care phone numbers visit: <http://contact.ergotron.com>
- ES** Para acceder a la última versión de la Guía de instalación para el usuario, ingrese a www.ergotron.com
Para Garantía, visite: www.ergotron.com/warranty
Para servicio, visite: www.ergotron.com
Para conocer los números telefónicos locales de atención al cliente, visite: <http://contact.ergotron.com>
- FR** Pour la dernière version du Guide d'installation de l'utilisateur, visitez : www.ergotron.com.
Pour la garantie, visitez: www.ergotron.com/warranty
Pour le service client, visitez: www.ergotron.com
Pour les numéros de téléphone du service client local, visitez : <http://contact.ergotron.com>
- DE** Die aktuellste Anleitung für die Montage durch den Benutzer finden Sie hier: www.ergotron.com
Für Garantie Besuch: www.ergotron.com/warranty
Für Servicebesuch: www.ergotron.com
Örtliche Telefonnummern für den Kundendienst finden Sie hier: <http://contact.ergotron.com>
- JA** 最新のユーザー インストール ガイドは、www.ergotron.com でご確認くださいませ。
保証書をご覧ください: www.ergotron.com/warranty
サービスをご覧ください: www.ergotron.com
最寄りのカスタマー ケアの電話番号については、こちらをご覧ください: <http://contact.ergotron.com>
- ZH** 若需最新的用户安装指南，请访问：www.ergotron.com
为保证参观：www.ergotron.com/warranty
对于上门服务：www.ergotron.com
若需当地客户服务电话号码，请访问：<http://contact.ergotron.com>
- NL** De nieuwste Gids voor installatie door de gebruiker kunt u vinden op: www.ergotron.com
Ga voor garantie naar: www.ergotron.com/warranty
Ga voor service naar: www.ergotron.com
Plaatselijke telefoonnummers voor de klantendienst kunt u vinden op: <http://contact.ergotron.com>
- IT** Per la versione più recente della Guida all'installazione per l'utente, visitare il sito web: www.ergotron.com
Per la garanzia visitare: www.ergotron.com/warranty
Per assistenza visitare: www.ergotron.com
Per conoscere i numeri di telefono dell'assistenza clienti locale, visitare: <http://contact.ergotron.com>
- SV** För den senaste Installationshandboken se: www.ergotron.com
För garanti, gå till: www.ergotron.com/warranty
För service, gå till: www.ergotron.com
För lokala kundtjänstnummer, gå till: <http://contact.ergotron.com>

ergotron®

www.ergotron.com | USA: 1-800-888-8458 | Europe: +31 (0)33-45 45 600 | China: 400-120-3051 | Japan: japansupport@ergotron.com

© 2009 Ergotron, Inc. All rights reserved.

While Ergotron, Inc. makes every effort to provide accurate and complete information on the installation and use of its products, it will not be held liable for any editorial errors or omissions (including those made in the process of translation from English to another language), or for incidental, special or consequential damages of any nature resulting from furnishing this instruction and performance of equipment in connection with this instruction. Ergotron, Inc. reserves the right to make changes in the product design and/or product documentation without notification to its users. For the most current product information, or to know if this document is available in languages other than those herein, please contact Ergotron. No part of this publication may be reproduced, stored in a retrieval system, or transmitted in any form or by any means, electronic, mechanical, photocopying, recording or otherwise without the prior written consent of Ergotron, Inc., 1181 Trapp Road, Eagan, Minnesota, 55121, USA Patents Pending and Patented U.S. & Foreign. Ergotron is a registered trademark of Ergotron, Inc.