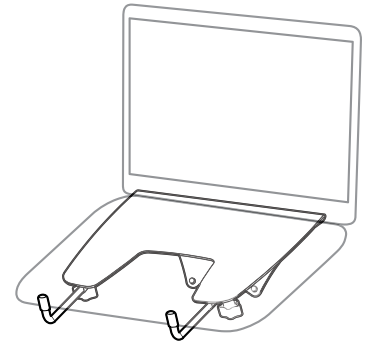
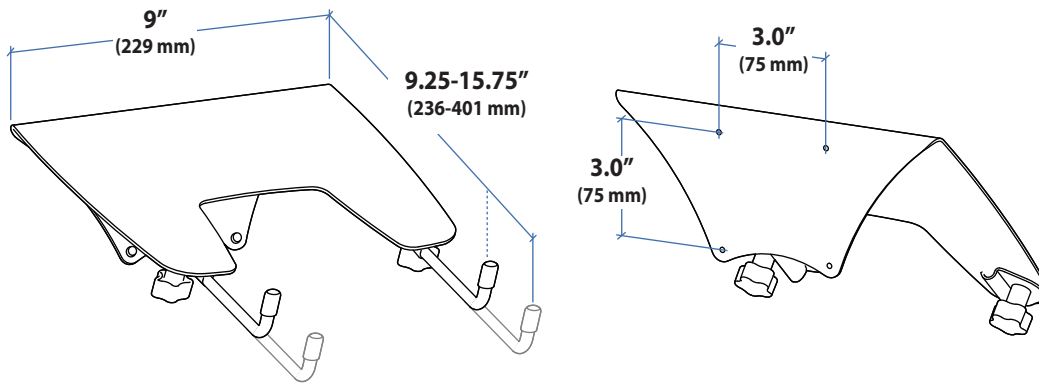
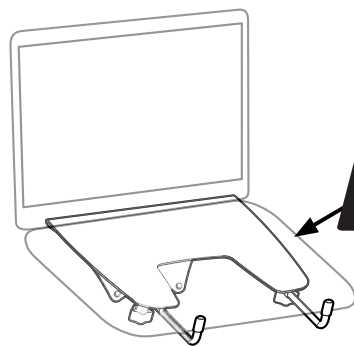


## Notebook Tray

### Dimensions



### Weight Capacity



Weight Capacity: When combined with the LX LCD Arm, the arm will hold notebooks weighing 2.5–12 lbs (1.1–5.4 kg); when combined with other arms or pivots, contact Ergotron regarding load limitations

© 2009 Ergotron, Inc. rev. 12/17/2018 DIM-LXNB Content is subject to change without notification.

#### Americas Sales and Corporate Headquarters

St. Paul, MN USA  
(800) 888-8458  
+1-651-681-7600  
www.ergotron.com  
sales@ergotron.com

#### EMEA Sales

Amersfoort, The Netherlands  
+31 33 45 45 600  
www.ergotron.com  
info.eu@ergotron.com

#### APAC Sales

Tokyo, Japan  
www.ergotron.com  
japansupport@ergotron.com

#### Worldwide OEM Sales

www.ergotron.com  
info.oem@ergotron.com

ergotron®