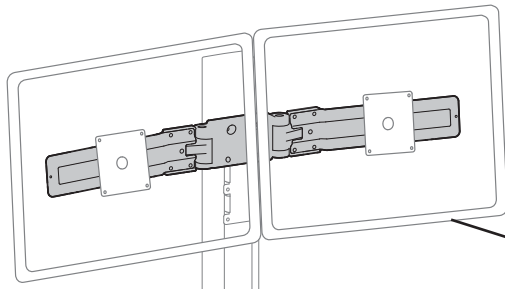
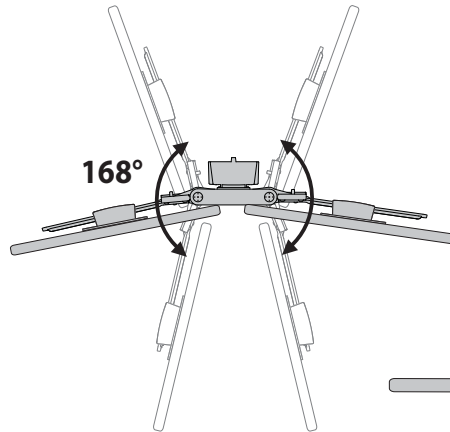
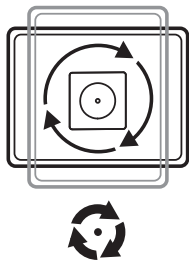


## WorkFit Dual Hinge Bow Accessory

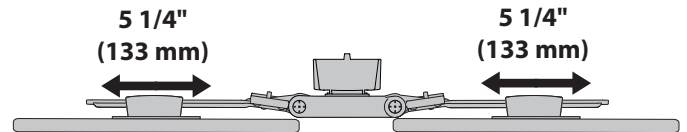


6 lbs. - 14 lbs.  
(2.72 kg - 6.35 kg)

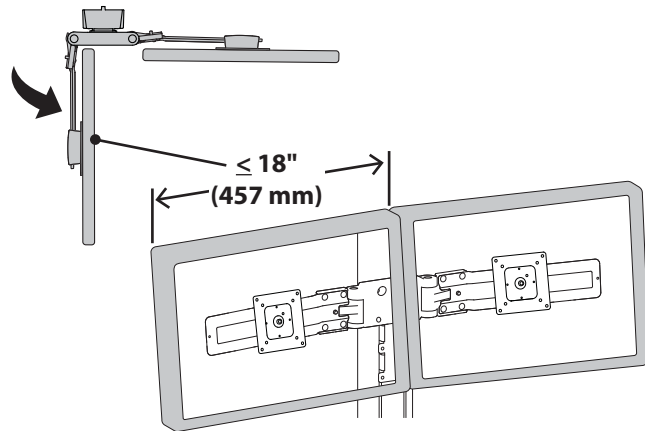
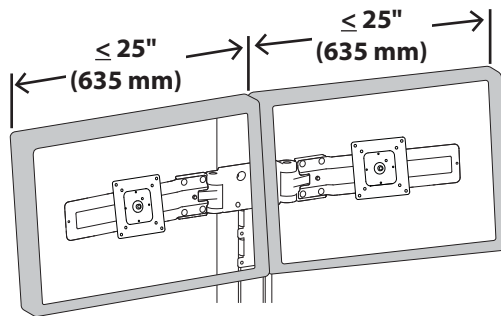
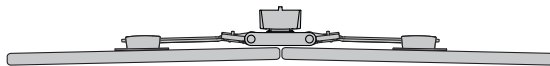
### Range of Motion:



This product is intended for use with most WorkFit Dual Workstations. It is NOT compatible with WorkFit-C, WorkFit-LX, WorkFit-SR, WorkFit-D and WorkFit-DL products. When attaching to WorkFit-T, WorkFit-TL or WorkFit-PD products, an accessory dual-monitor riser kit must be in place (pt # 97-904, 97-907, 97-933-062 or 97-934-062)



### Maximum Monitor Width:



### Dimensions:

