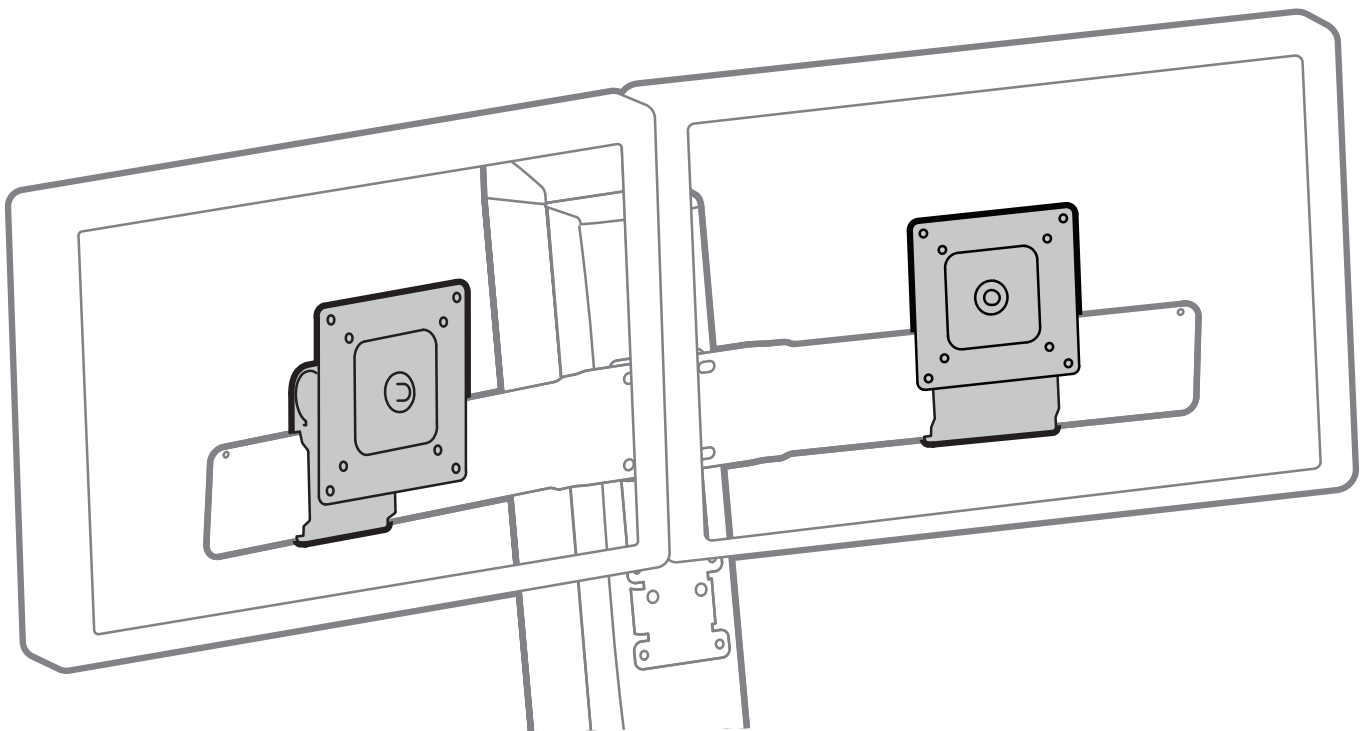


ergotron®

Dual Monitor Tilt Pivot



English



For the latest User Installation Guide please visit: www.ergotron.com





English, Español, Français, Deutsch, Nederlands, Italiano, Svenska, 日本語, 汉语

www.ergotron.com | USA: 1-800-888-8458 | Europe: +31 (0)33-45 45 600 | China: 400-120-3051 | Japan: japansupport@ergotron.com

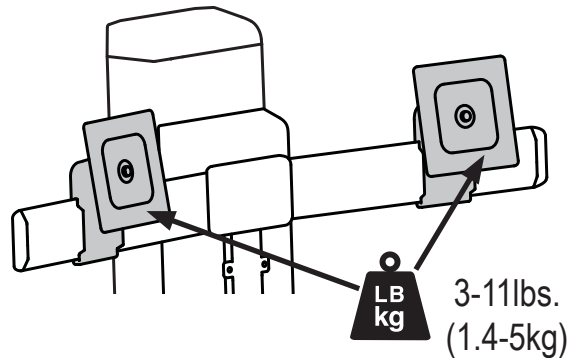
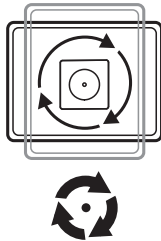
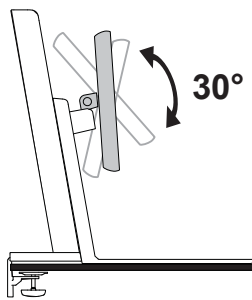
Hazard Symbols


Review

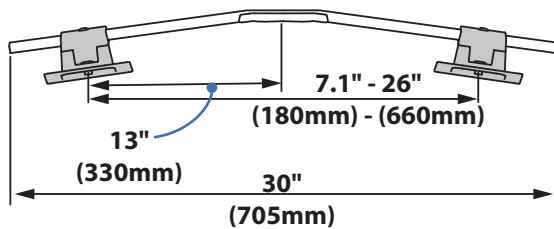
These symbols alert users of a safety condition that demands attention. All users should be able to recognize and understand the significance of the following Safety Hazards if encountered on the product or within the documentation. Children who are not able to recognize and respond appropriately to Safety Alerts should not use this product without adult supervision!

Symbol	Signal Word	Level of Hazard
	NOTE	A NOTE indicates important information that helps you make better use of this product.
	CAUTION	A CAUTION indicates either potential damage to hardware or loss of data and tells you how to avoid the problem.
	WARNING	A WARNING indicates either potential for property damage, personal injury, or death.
	ELECTRICAL	An Electrical indicates an impending electrical hazard which, if not avoided, may result in personal injury, fire and/or death.

Features & Specifications



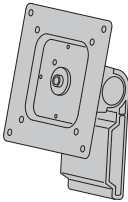


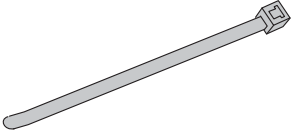

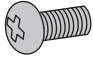
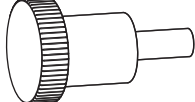

 **CAUTION: DO NOT EXCEED MAXIMUM LISTED WEIGHT CAPACITY. SERIOUS INJURY OR PROPERTY DAMAGE MAY OCCUR!**



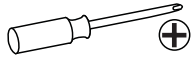
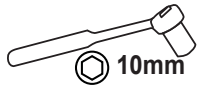
Top View

Components

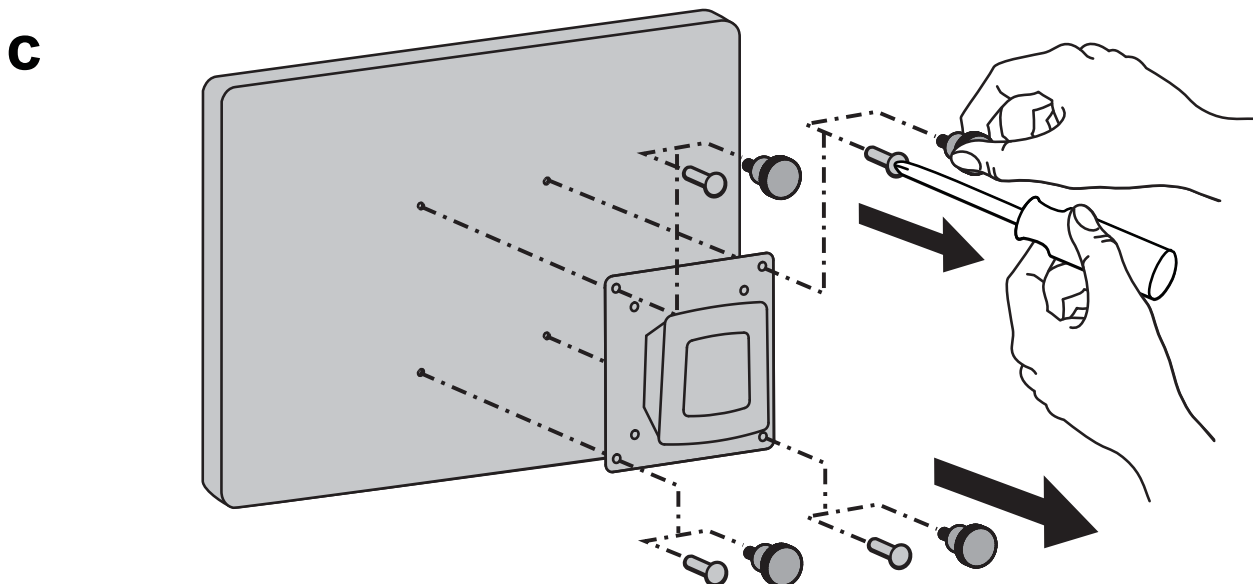
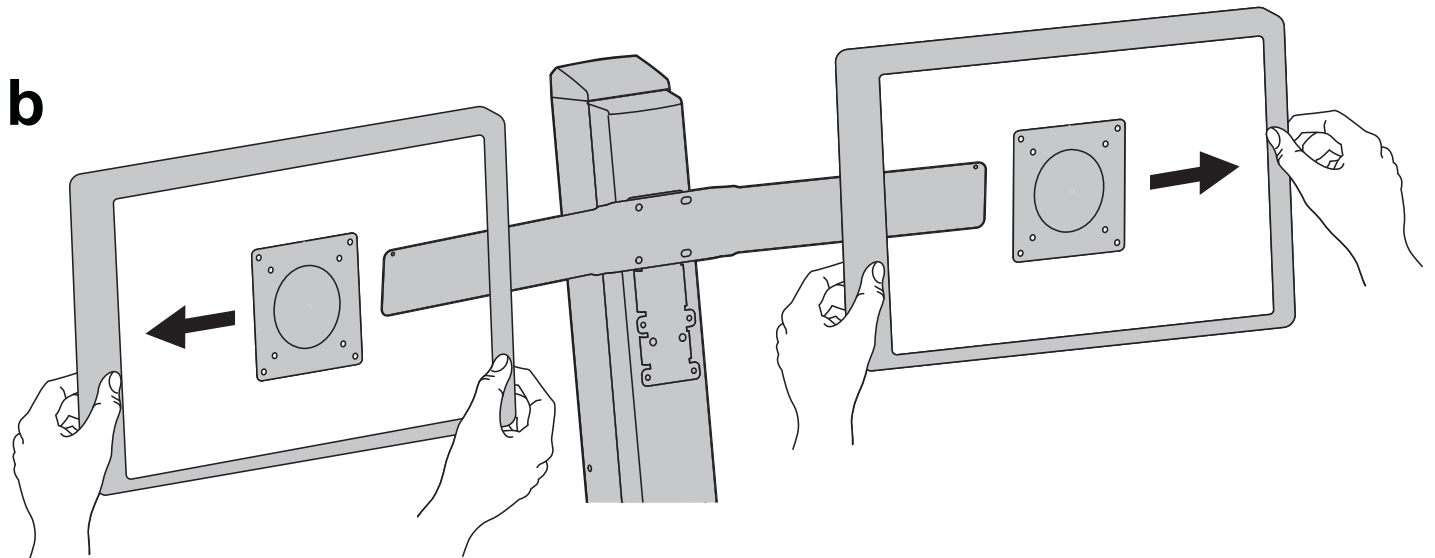
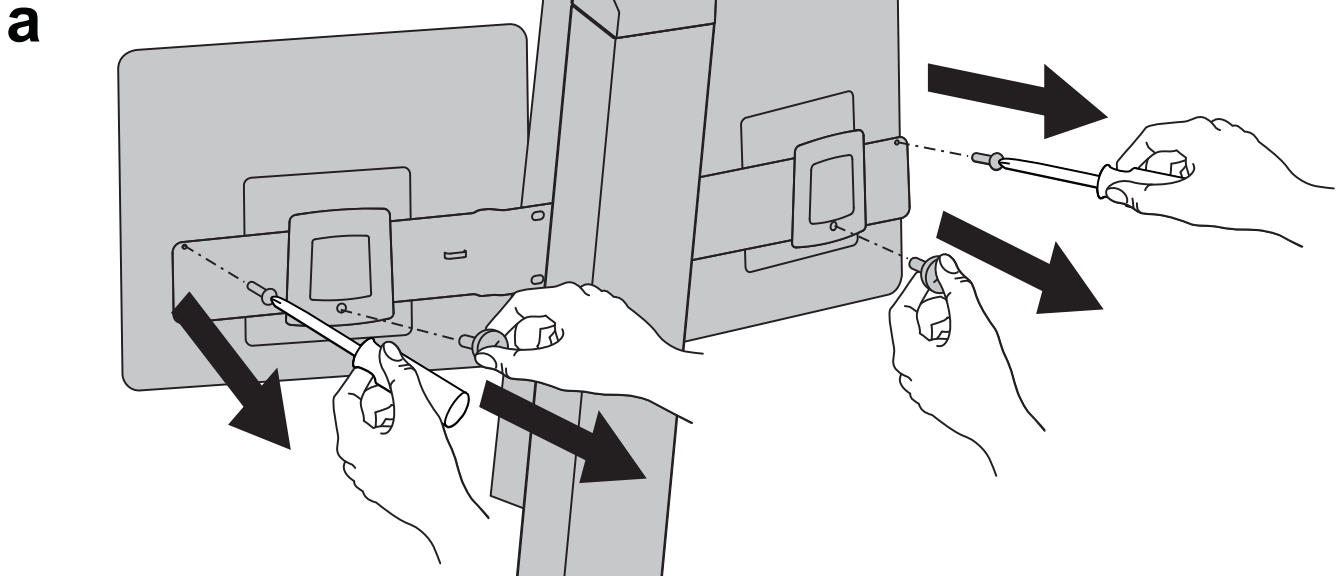


	A	B	C	D
1	2x 	2x  M4 x 8mm	2x  M4 x 6mm	4x 
2	2x 	8x  M4 x 10mm	8x  M4 x 10mm	2x  M4 x 5mm

Tools Needed

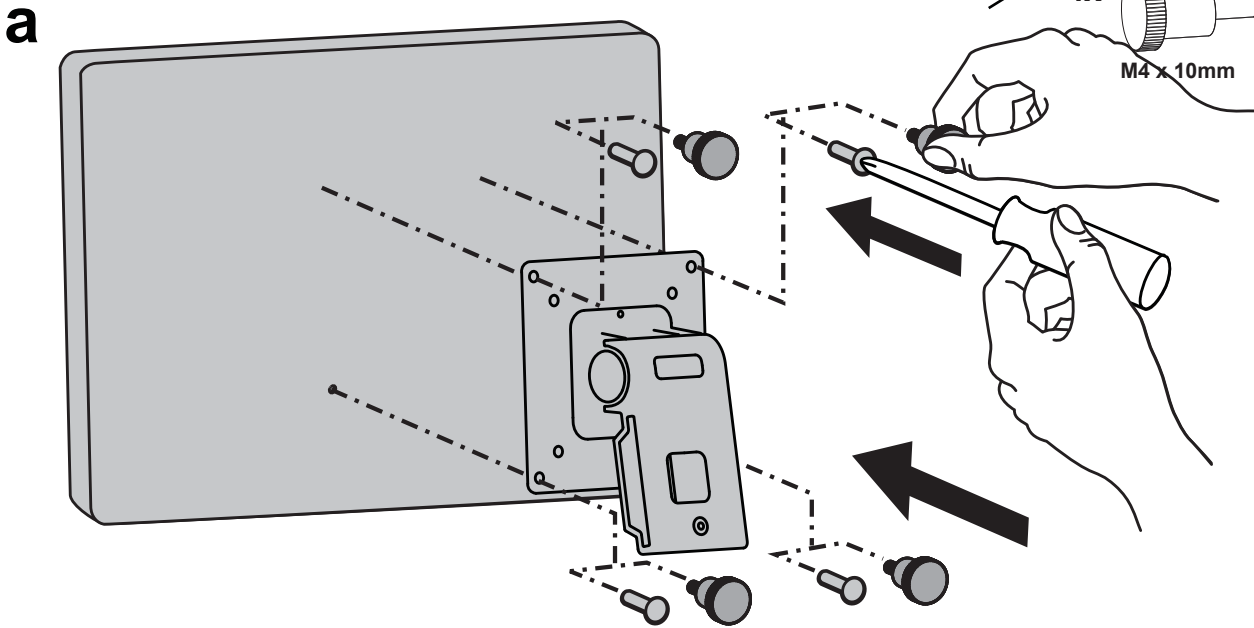
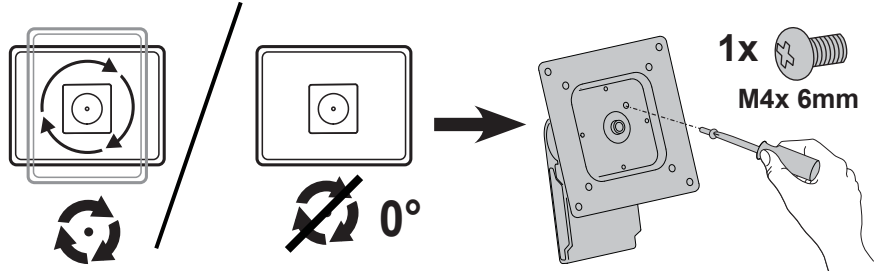


1 Remove monitor pivots.

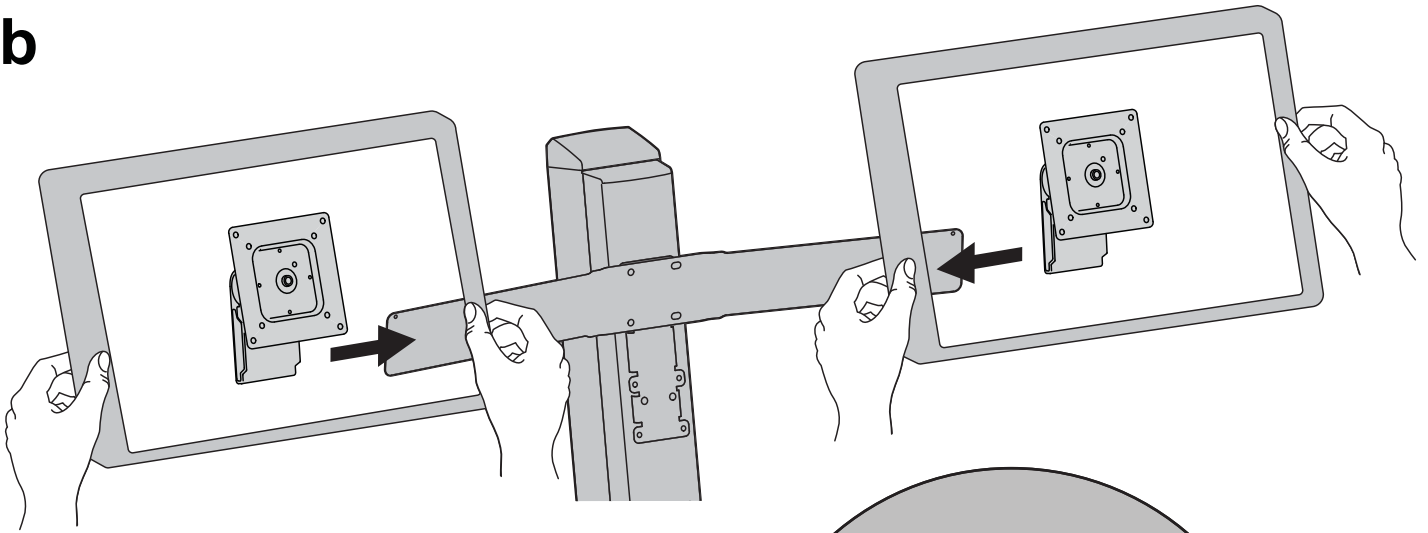


2 Install tilt pivots.

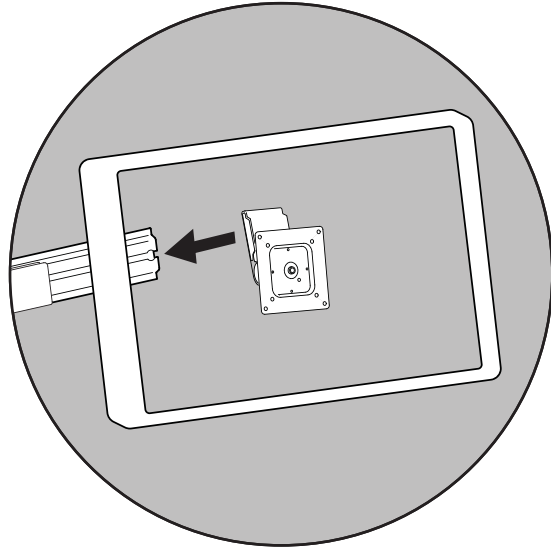
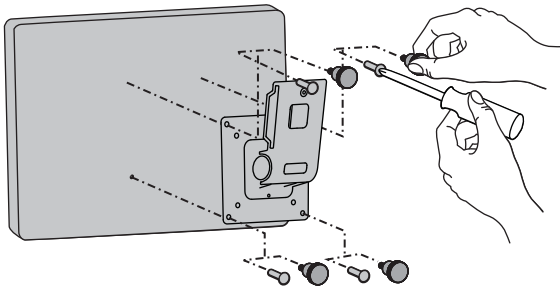
OPTIONAL: Insert stop screw to lock portrait/landscape monitor rotation.



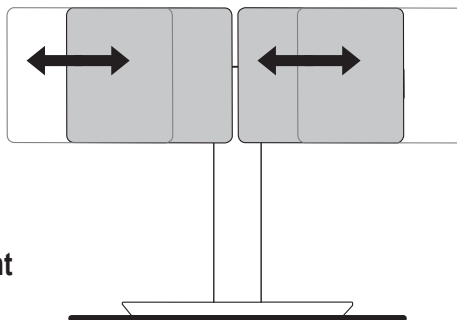
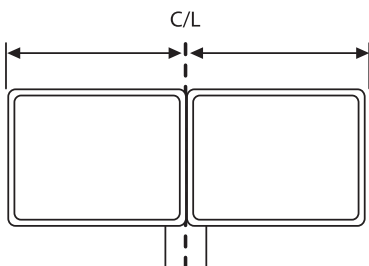
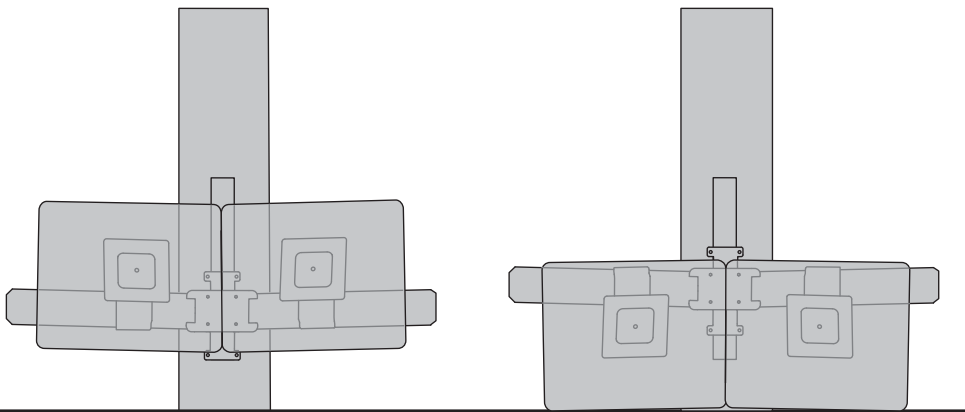
b





NOTE: Monitor mounting brackets can be installed upside down to lower monitor 4 1/4" (108 mm).

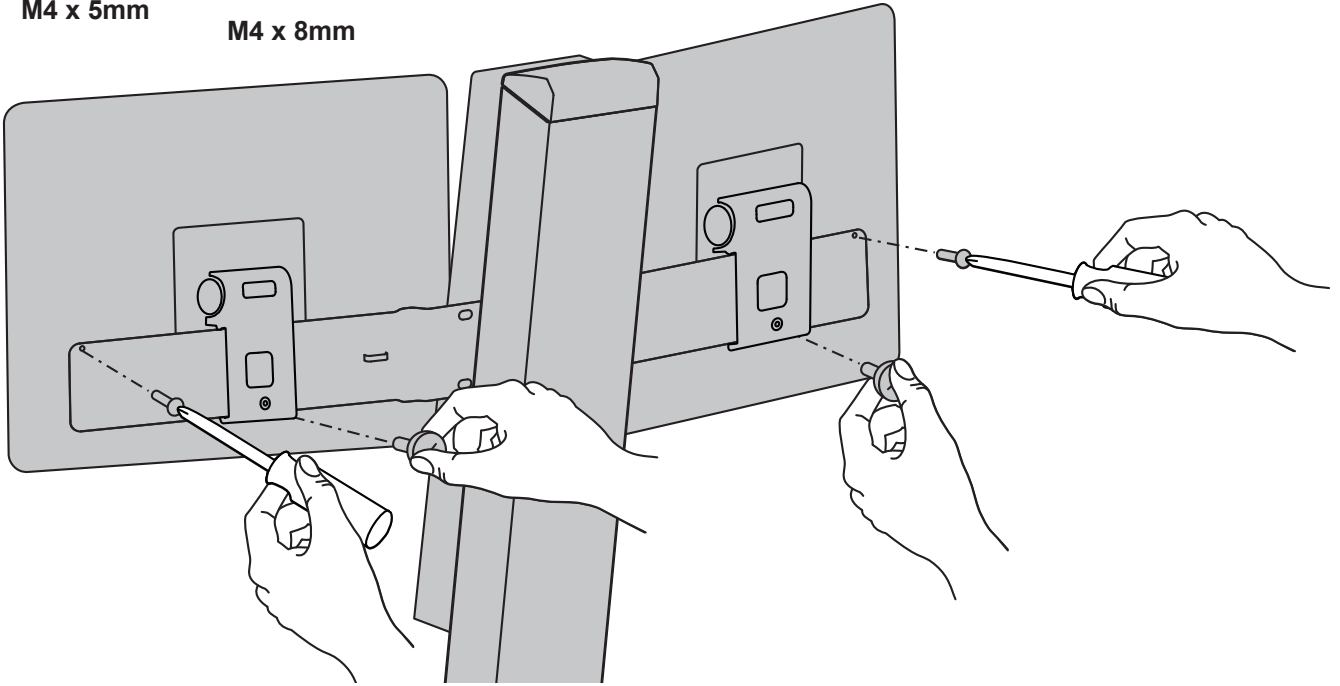


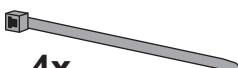
NOTE: Installing mounting monitor brackets upside down may restrict the full range of up/down motion.

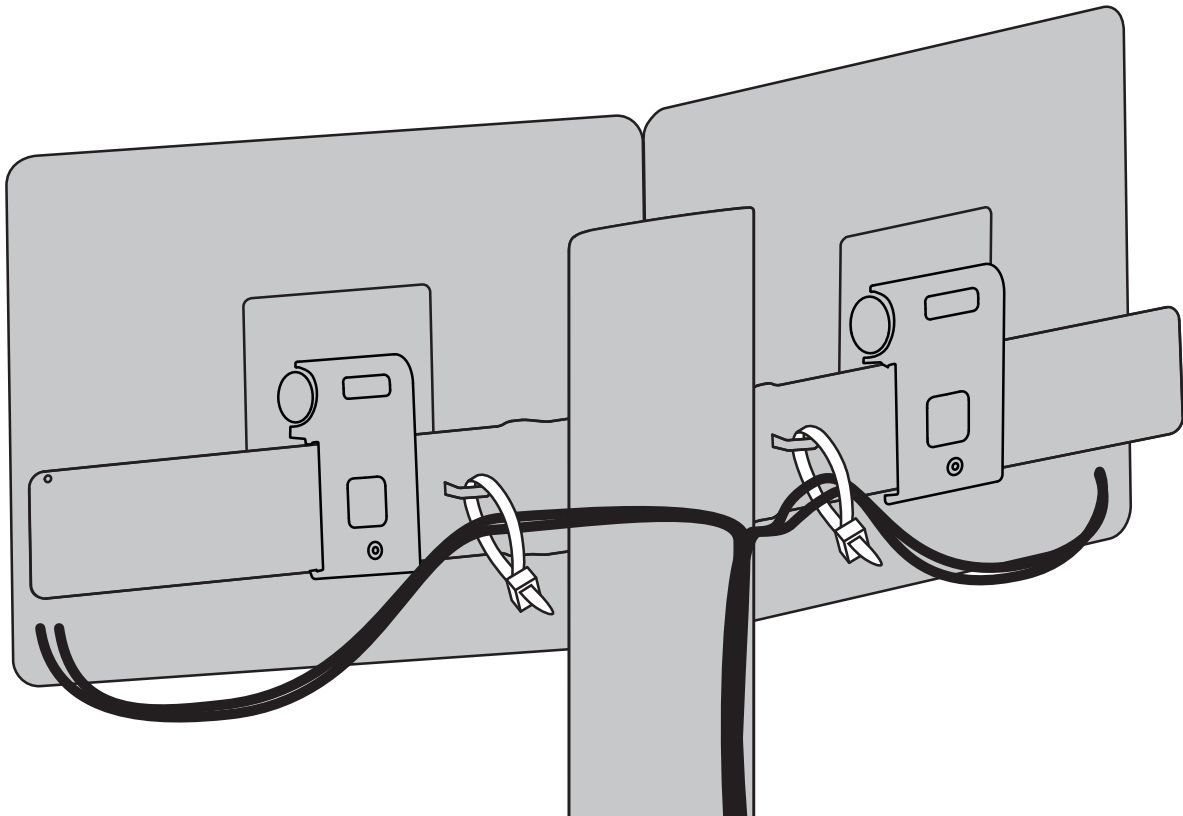


Center total width of mounted equipment on stand.

C 2x  2x 
M4 x 5mm M4 x 8mm



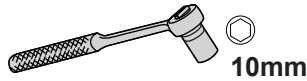
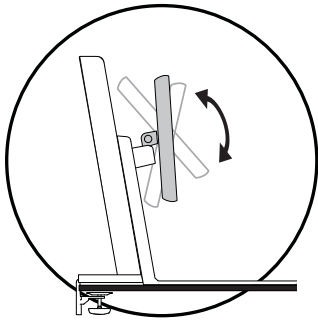
3 
4x



4 Adjustment Step

a Adjust your mounting solution to handle the added weight. Adjustments should move smoothly and easily through the full range of motion and stay where you set it. If adjustments are difficult and do not stay in the desired position, follow the instructions to loosen or tighten the tension to create a smooth, easy adjustment motion. Depending on your product and the adjustment, it may take several turns to notice a difference.

b Tilt – Forward and Backward



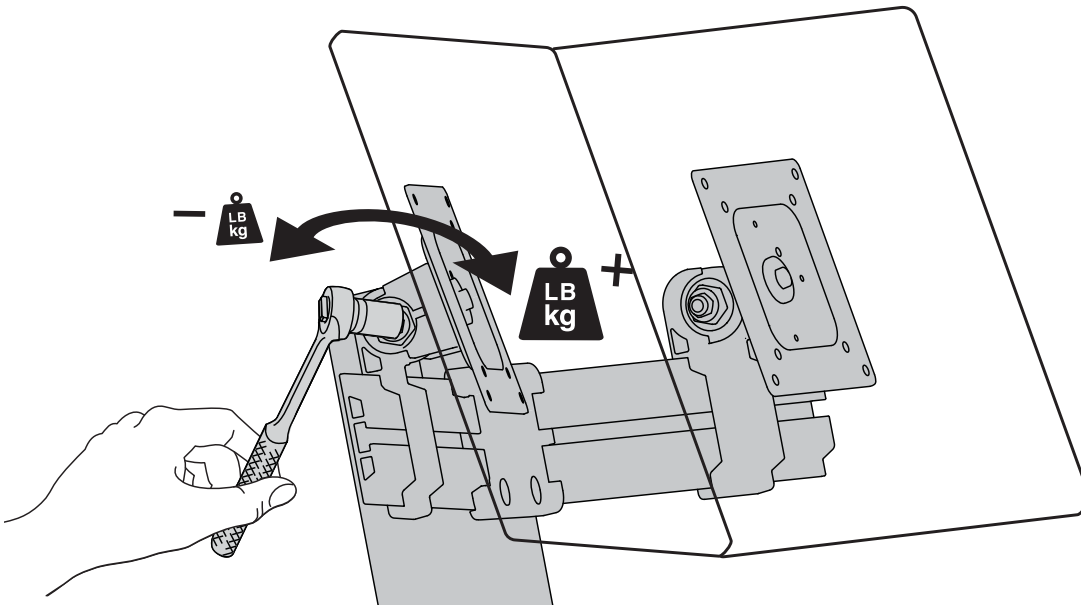
Increase Lift Strength

If the mounted weight is too heavy or this product does not stay up when raised, then you'll need to increase Lift Strength:



Decrease Lift Strength

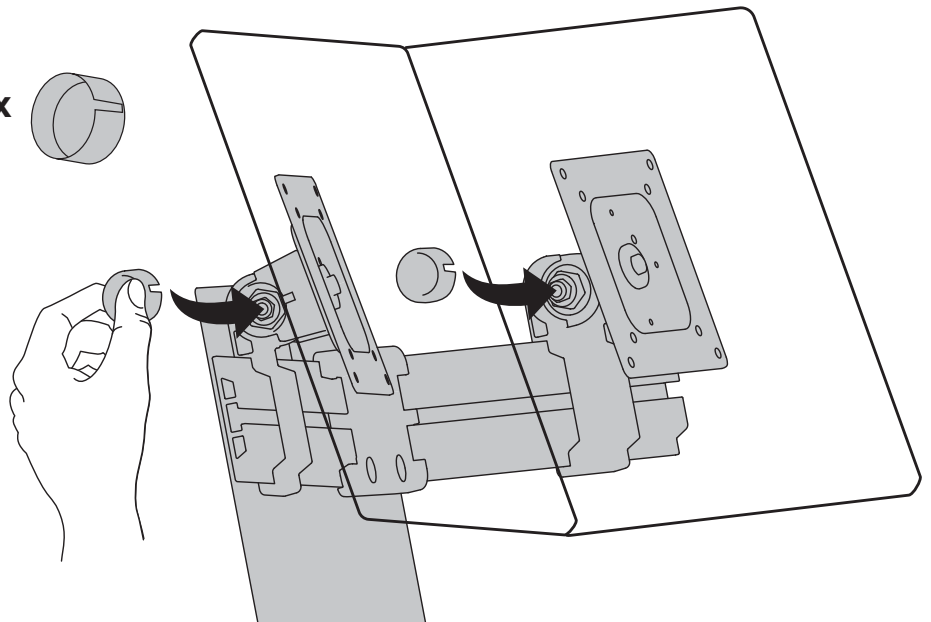
If the mounted weight is too light or this product does not stay down when lowered, then you'll need to decrease Lift Strength:

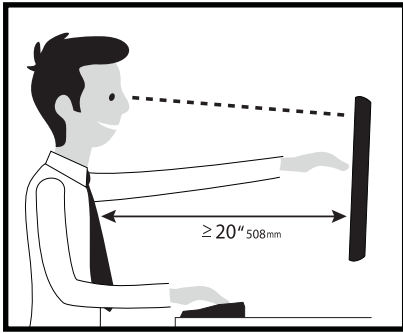


5 Attach caps.



NOTE: Align slot on cap with slot in mounting bracket when installing caps.





Learn more about ergonomic computer use at: www.ergotron.com/ergonomics

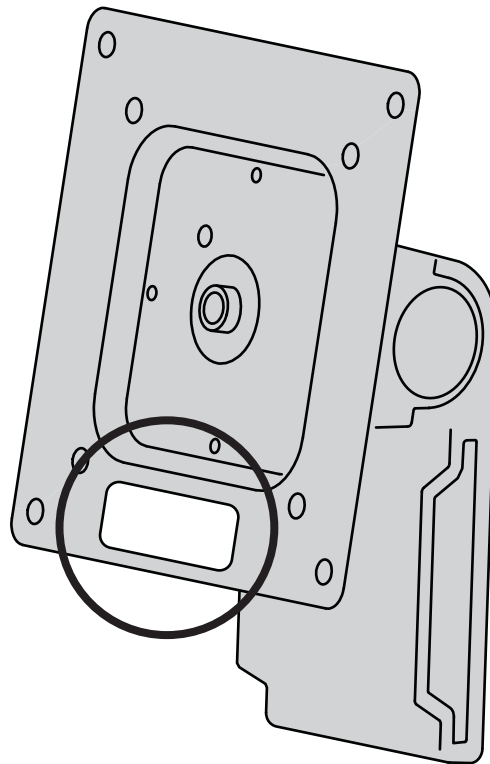
For Warranty visit: www.ergotron.com/warranty

For Service visit: www.ergotron.com

For local customer care phone numbers visit: <http://contact.ergotron.com>



NOTE: When contacting customer service, reference the serial number.



ergotron®

www.ergotron.com | USA: 1-800-888-8458 | Europe: +31 (0)33-45 45 600 | China: 400-120-3051 | Japan: japansupport@ergotron.com

© 2016 Ergotron, Inc. All rights reserved.

While Ergotron, Inc. makes every effort to provide accurate and complete information on the installation and use of its products, it will not be held liable for any editorial errors or omissions (including those made in the process of translation from English to another language), or for incidental, special or consequential damages of any nature resulting from furnishing this instruction and performance of equipment in connection with this instruction. Ergotron, Inc. reserves the right to make changes in the product design and/or product documentation without notification to its users. For the most current product information, or to know if this document is available in languages other than those herein, please contact Ergotron. No part of this publication may be reproduced, stored in a retrieval system, or transmitted in any form or by any means, electronic, mechanical, photocopying, recording or otherwise without the prior written consent of Ergotron, Inc., 1181 Trapp Road, Eagan, Minnesota, 55121, USA Patents Pending and Patented U.S. & Foreign. Ergotron is a registered trademark of Ergotron, Inc.