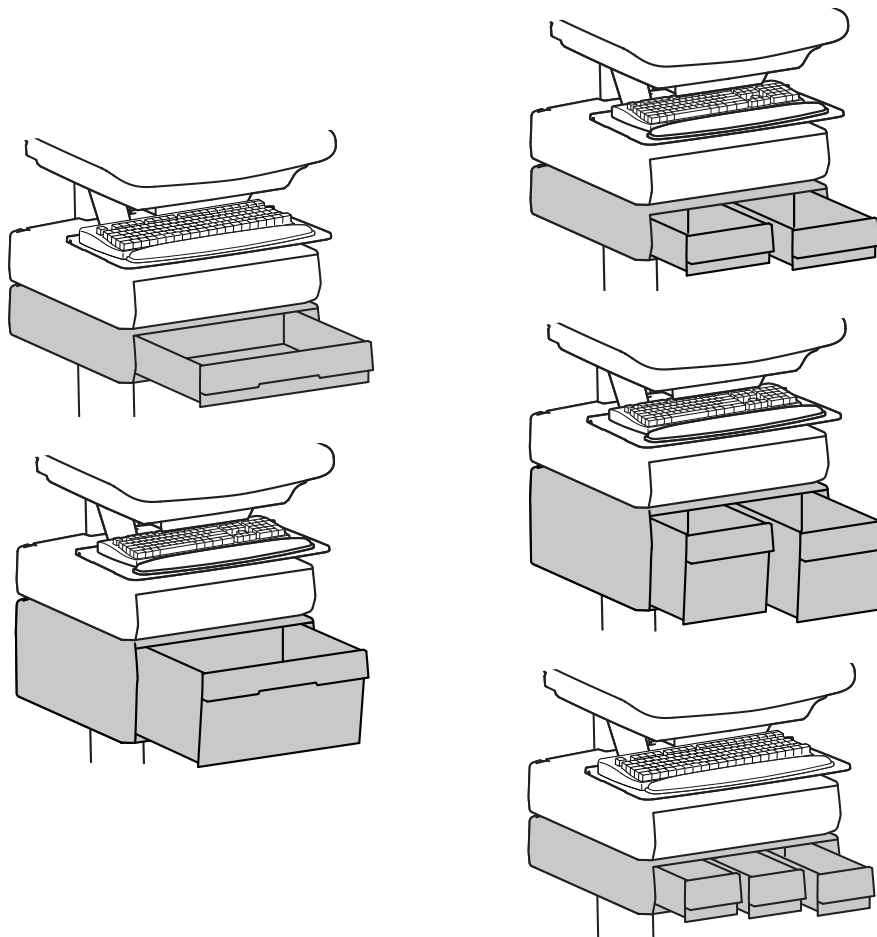


ergotron®

StyleView® Supplemental Storage Drawer



English







For the latest User Installation Guide please visit: www.ergotron.com

English, Español, Français, Deutsch, Nederlands, Italiano, Svenska, 日本語, 汉语

www.ergotron.com | USA: 1-800-888-8458 | Europe: +31 (0)33-45 45 600 | China: 400-120-3051 | Japan: japansupport@ergotron.com

Hazard Symbols Review

These symbols alert users of a safety condition that demands attention. All users should be able to recognize and understand the significance of the following Safety Hazards if encountered on the product or within the documentation. Children who are not able to recognize and respond appropriately to Safety Alerts should not use this product without adult supervision!

Symbol	Signal Word	Level of Hazard
	NOTE	A NOTE indicates important information that helps you make better use of this product.
	CAUTION	A CAUTION indicates either potential damage to hardware or loss of data and tells you how to avoid the problem.
	WARNING	A WARNING indicates either potential for property damage, personal injury, or death.
	ELECTRICAL	An Electrical indicates an impending electrical hazard which, if not avoided, may result in personal injury, fire and/or death.

Safety

WARNING




IMPACT HAZARD!
MOVING PARTS CAN CRUSH AND CUT.

Minimize Lift Tension BEFORE:

- Removing Mounted Equipment.
- Shipping Cart
- Storing Cart

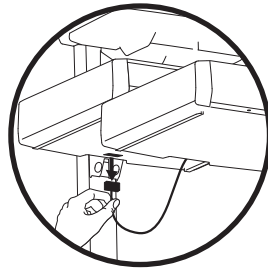
To Minimize Lift Tension

1. Lower worksurface to lowest position.
2. Turn adjustment nut at top of riser counterclockwise until it stops (Adjustment may require 40-60 revolutions).

Failure to heed this warning may result in serious personal injury or property damage!

For More information and instructions refer to product guide at <http://4support.ergotron.com> or contact Ergotron Customer Care at 1-800-888-8458.

822-052



NOTE: When removing drawers from the cart, make sure to disconnect the cable.



CAUTION:

Close worksurface before opening drawers.
Open only one cart drawer at a time.

Do Not push cart when drawers or worksurface are open.
When adding more than 3 drawer rows to a LiFe cart, max loading is:

LCD: 11 lbs (5 kg)

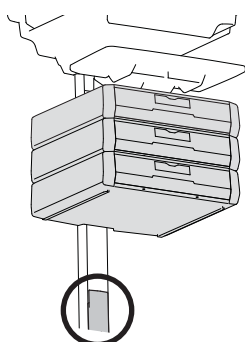
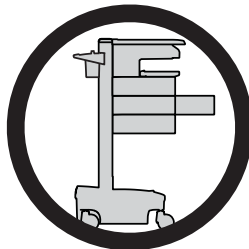
CPU: 10 lbs (4.5 kg)

Keyboard/mouse: 2 lbs (0.9 kg)

Worksurface: 0 lbs (0 kg)

Drawer contents: 2 lbs (0.9 kg) max per drawer row

Failure to follow these instructions may cause the cart to be unstable.



CAUTION: Make sure you install the appropriate travel stop bracket to your cart for your number of drawer units. Failure to follow this caution may result in the drawers hitting the base and causing product damage.

1 Drawer: No Travel Stop Needed.

2 Standard height Drawers: No Travel Stop Needed.

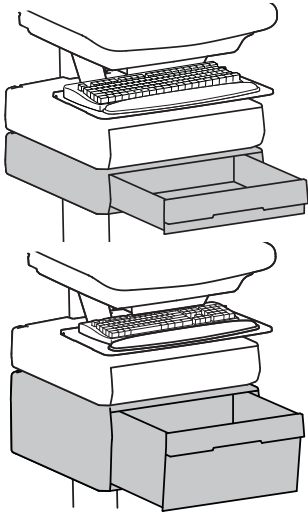
2 - 3 Tall Drawers: Needs Travel Stop.

3 - 5 Standard Height Drawers: Needs Travel Stop.

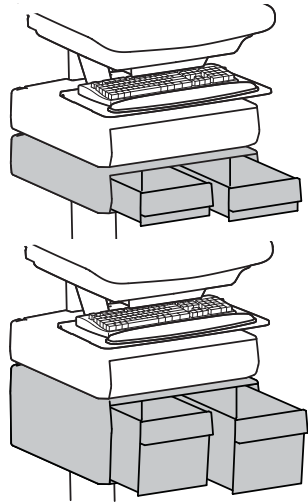
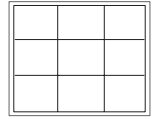
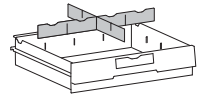
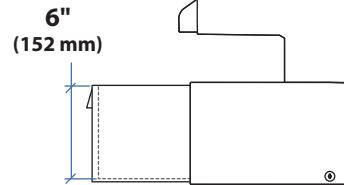
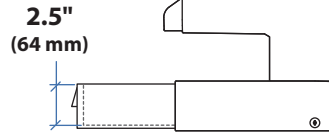
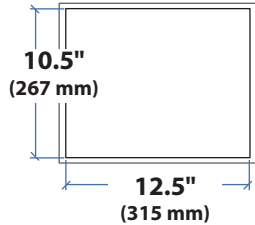
To find the travel stop needed, please visit: www.ergotron.com

Features & Specifications

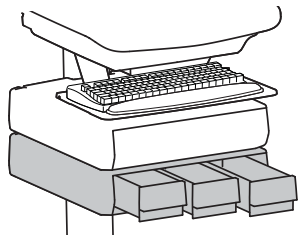
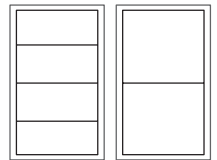
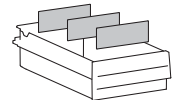
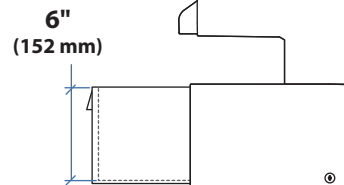
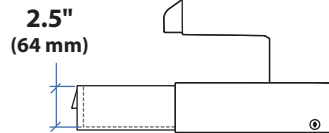
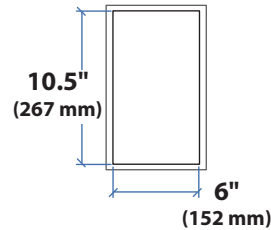
! CAUTION: DO NOT EXCEED MAXIMUM LISTED WEIGHT CAPACITY. SERIOUS INJURY OR PROPERTY DAMAGE MAY OCCUR!



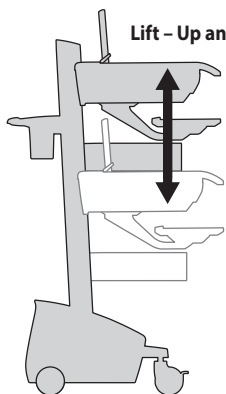
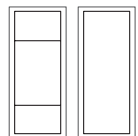
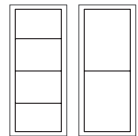
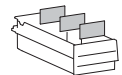
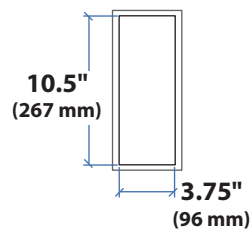
**LB
kg**
≤ 2 lbs (1 kg)
Total weight capacity per drawer.



**LB
kg**
≤ 1 lbs (0.5 kg)
Total weight capacity per drawer.



**LB
kg**
≤ 0.25 lbs (0.1 kg)
Total weight capacity per drawer.



Lift - Up and down

Attaching more than 2 standard height drawers or 1 tall drawer will limit the vertical lift range of the cart.

See below for vertical lift ranges for drawer configurations:

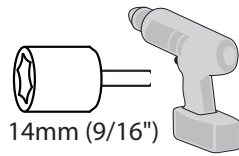
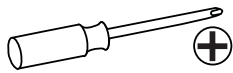
3 Standard Height Drawers: 16" (406 mm)

4 Standard Height Drawers or 2 Tall Drawers: 12" (304 mm)

5 Standard Height Drawers: 8" (203 mm)


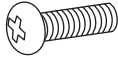
3 Tall Drawers: 5" (127 mm)

Tools Needed

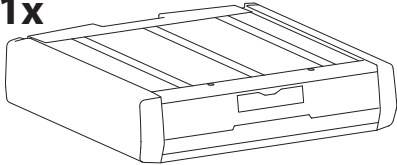
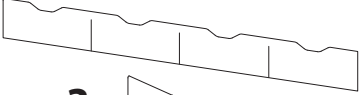
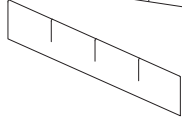
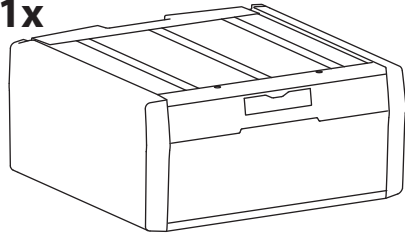
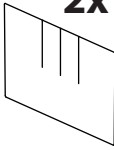
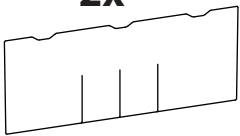
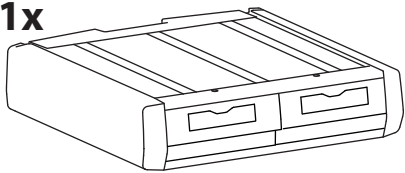

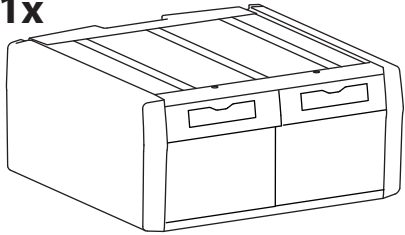
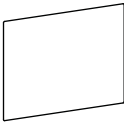
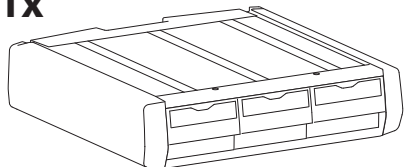



Components



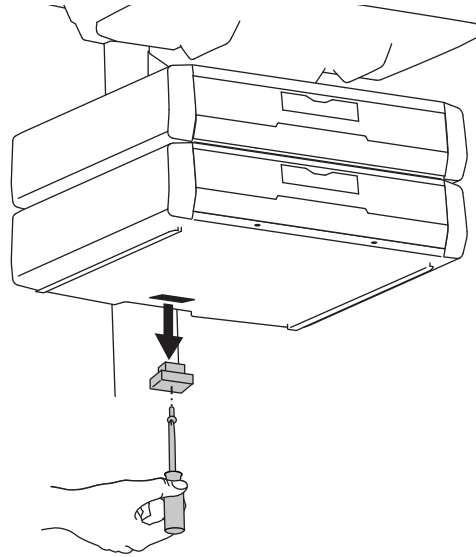
	A	B
1	1x 	2x  M4 x 12mm

This manual covers the installation of 5 possible drawers.
There is only 1 drawer provided in this box.

	A	
2	1x 	3x  3x 
3	1x 	2x  2x 
4	2x 	6x 
5	2x 	6x 
6	3x 	9x 

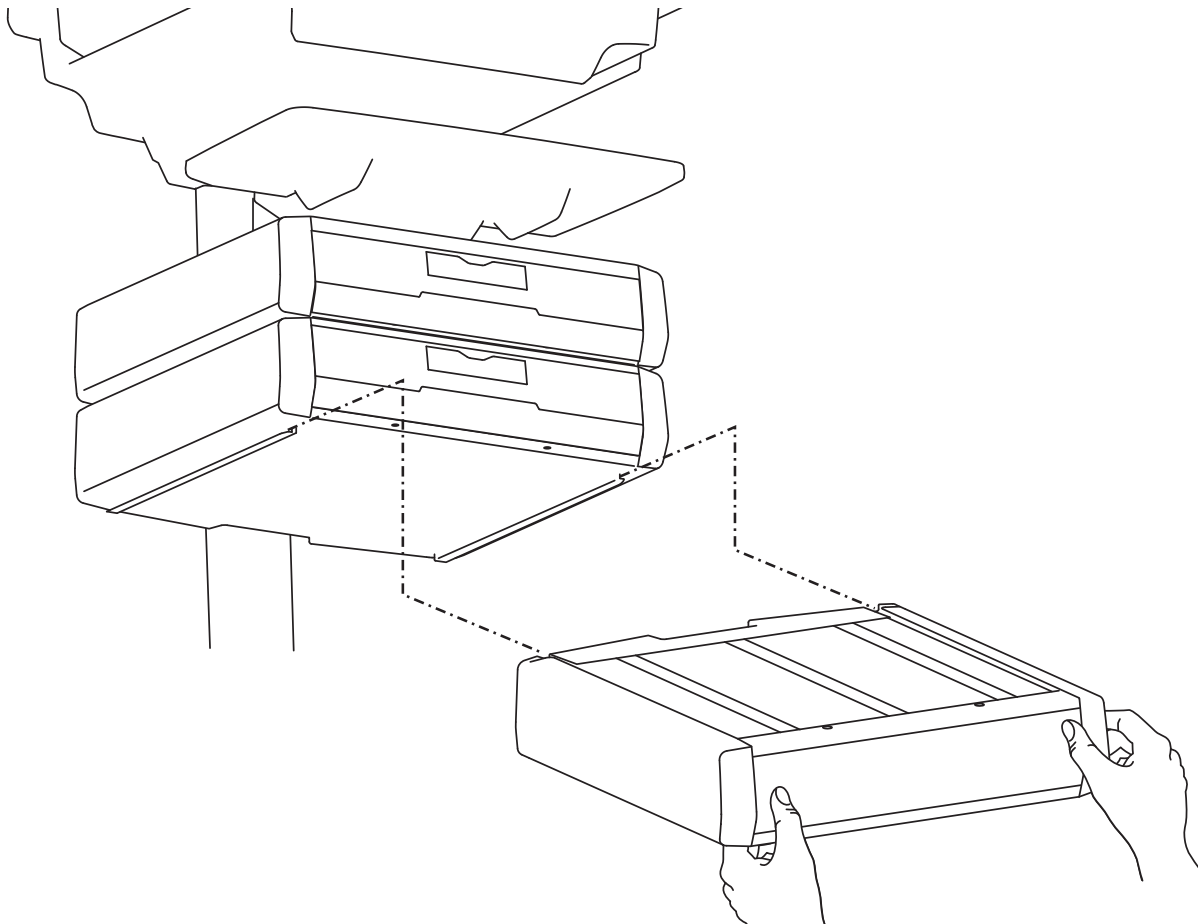
1 a

Remove plug cover.



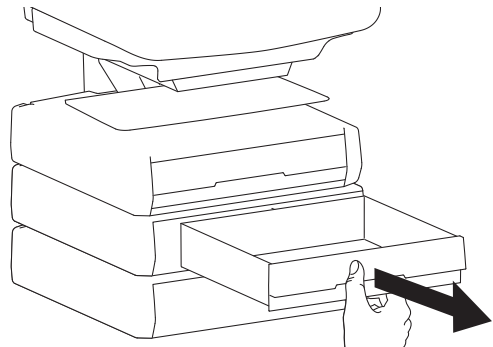
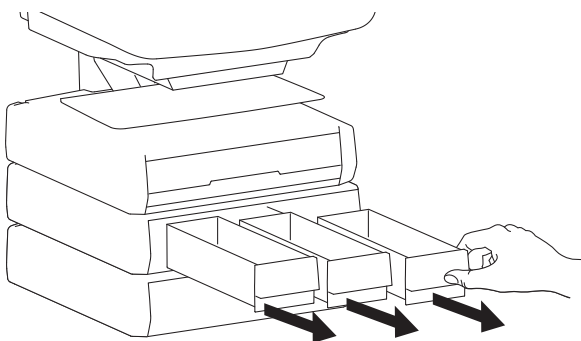
b

Slide the drawer onto the bottom tracks of the last drawer.

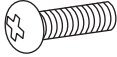


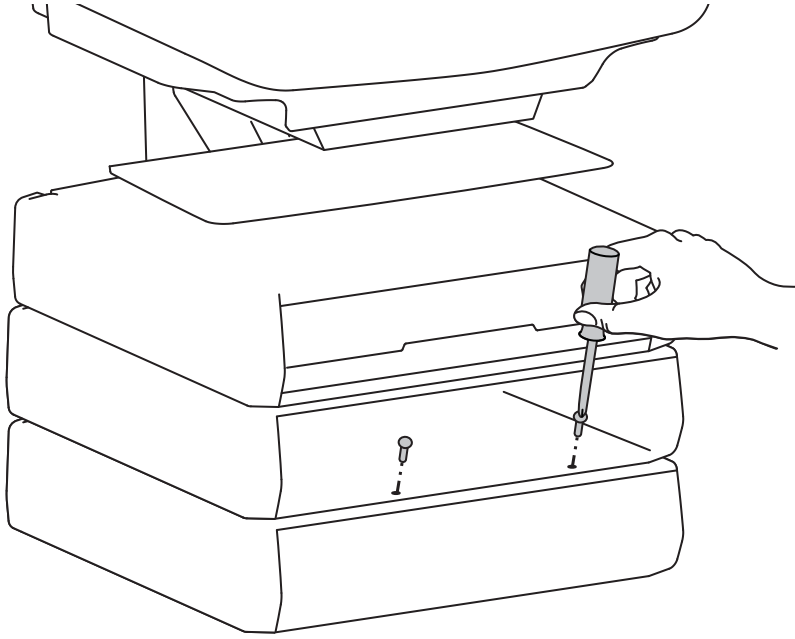
2

Remove the drawer(s) above.

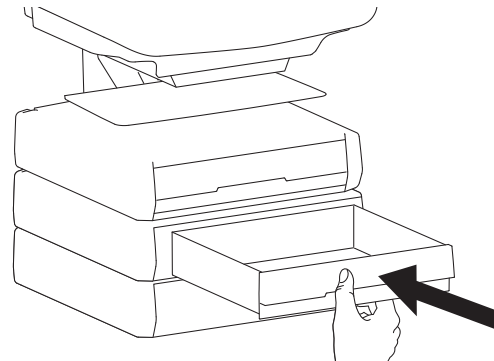
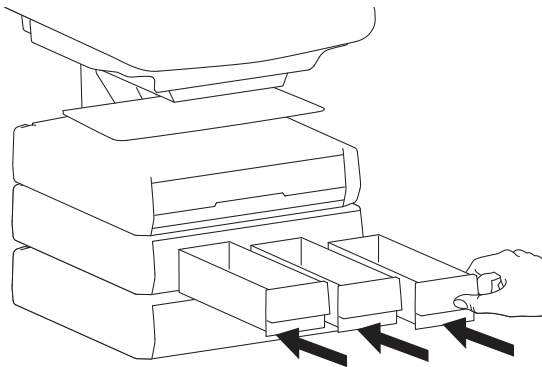


3 Secure the bottom drawer by attaching the two screws.

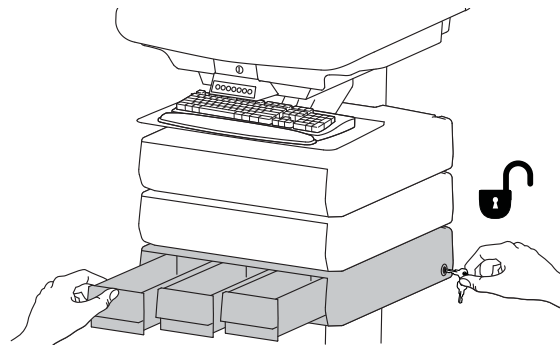
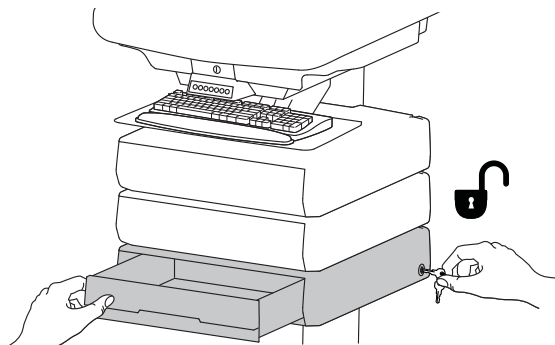
2x 
M4 x 12mm



4 Replace the drawer(s).



5 To unlock the storage drawer, turn key counter clockwise 1/4 turn.

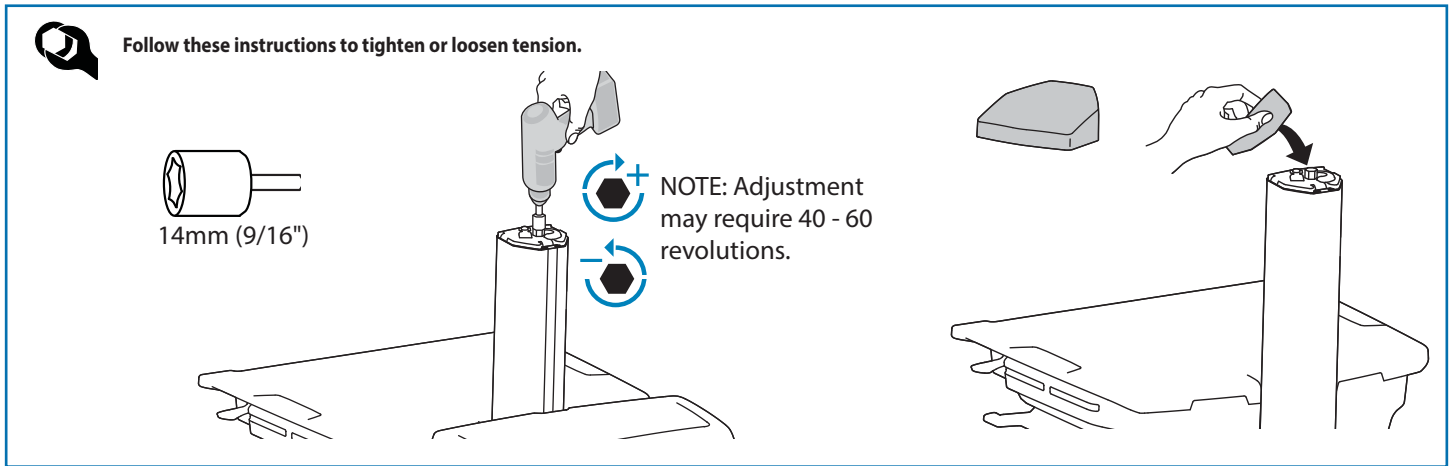
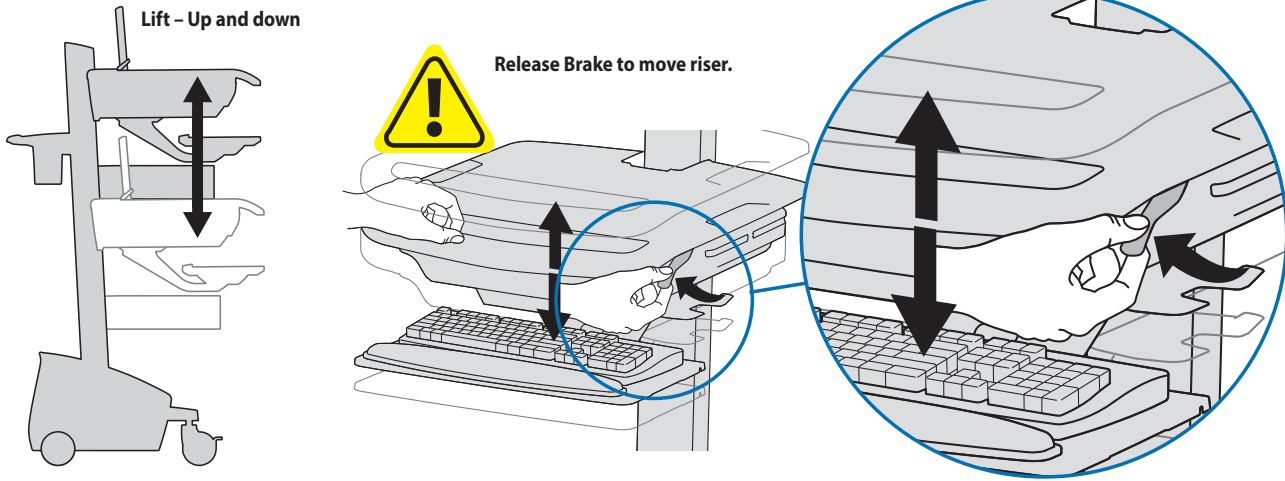


6

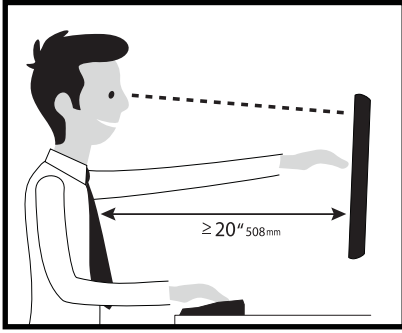
Adjustment



Adjust your mounting solution to handle the added weight. Adjustments should move smoothly and easily through the full range of motion and stay where you set it. If adjustments are difficult and do not stay in the desired position, follow the instructions to loosen or tighten the tension to create a smooth, easy adjustment motion. Depending on your product and the adjustment, it may take several turns to notice a difference.



NOTE: Adding more than 3 rows of drawers per cart may mean balanced lift adjustment of the cart may not be possible without reducing weight of LCD, laptop, CPU, and/or drawer contents.



Learn more about ergonomic computer use at: www.ergotron.com/ergonomics

ergotron®

For Warranty visit: www.ergotron.com/warranty

For Service visit: www.ergotron.com

For local customer care phone numbers visit: <http://contact.ergotron.com>

www.ergotron.com | USA: 1-800-888-8458 | Europe: +31 (0)33-45 45 600 | China: 400-120-3051 | Japan: japansupport@ergotron.com

© 2015 Ergotron, Inc. All rights reserved.

While Ergotron, Inc. makes every effort to provide accurate and complete information on the installation and use of its products, it will not be held liable for any editorial errors or omissions (including those made in the process of translation from English to another language), or for incidental, special or consequential damages of any nature resulting from furnishing this instruction and performance of equipment in connection with this instruction. Ergotron, Inc. reserves the right to make changes in the product design and/or product documentation without notification to its users. For the most current product information, or to know if this document is available in languages other than those herein, please contact Ergotron. No part of this publication may be reproduced, stored in a retrieval system, or transmitted in any form or by any means, electronic, mechanical, photocopying, recording or otherwise without the prior written consent of Ergotron, Inc., 1181 Trapp Road, Eagan, Minnesota, 55121, USA Patents Pending and Patented U.S. & Foreign. Ergotron is a registered trademark of Ergotron, Inc.