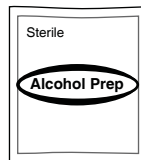


SV Drawer Travel Stop Kit

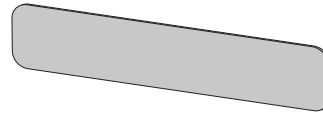
for Electric Lift



1x



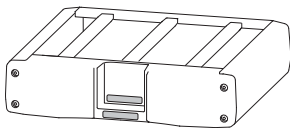
3x



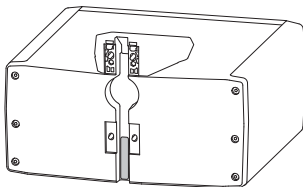
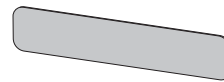
1 Identify drawer configuration and determine the placement and number of reflectors needed. All reflectors may not be used during installation.

Identifique la configuración del cajón y determine la ubicación y el número de reflectores necesarios. Es posible que no todos los reflectores se utilicen durante la instalación.

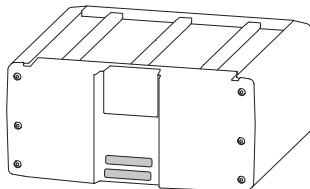
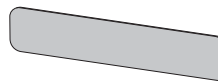
Remarquer la configuration des tiroirs et déterminer le nombre et l'emplacement des réflecteurs nécessaires. Les réflecteurs ne seront pas tous utilisés pendant l'installation.



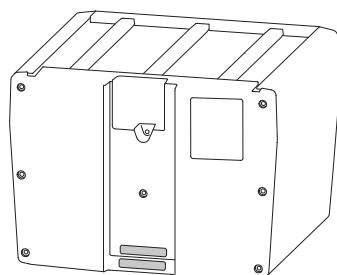
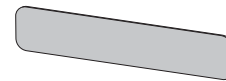
Short Drawer 2x
 Cajón bajo
 Tiroir peu profond



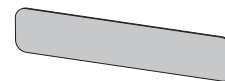
Tall Drawer 1x
 Cajón alto
 Tiroir profond



Supplemental Tall Drawer 2x
 Cajón alto suplementario
 Tiroir profond supplémentaire

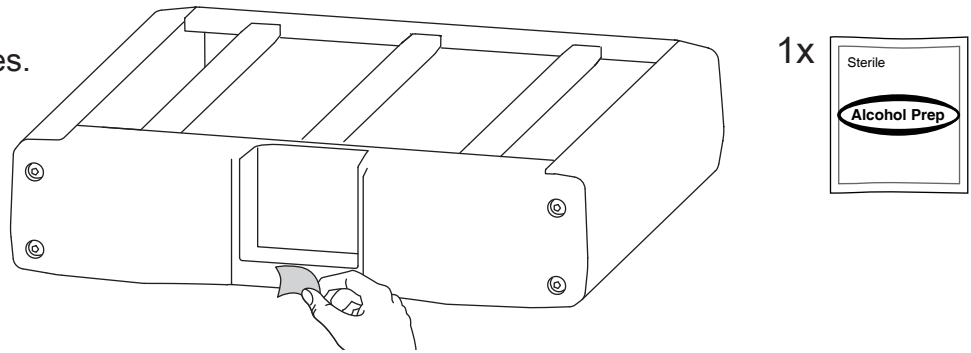


Extra Tall Drawer 2x
 Cajón alto extra
 Tiroir très profond

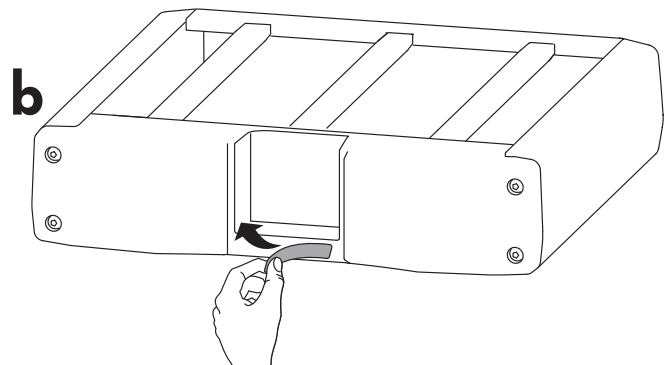
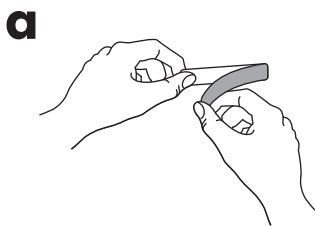


- 2** Remove drawer - reference owners manual.
Reflectors should only be placed on the bottom drawer.
No reflectors are needed for single drawer carts.
- Quite el cajón - consulte el manual de propietarios.
Los reflectores solo deben colocarse en el cajón inferior.
No se necesitan reflectores para los carros de un solo cajón.
- Retirer le tiroir – voir le manuel du propriétaire.
Ne pas poser de réflecteur sur le tiroir du bas.
Les chariots à tiroirs simples ne nécessitent aucun réflecteur.

- 3** Clean surfaces.
Limpie superficies.
Nettoyer les surfaces.



- 4** Apply reflectors to drawer.
Poser des réflecteurs sur le tiroir.
Ponga reflectores al cajón.



- 5** Mount drawer - reference owners manual.
Installer le tiroir – voir le manuel du propriétaire.
Monte el cajón - consulte el manual de propietarios.

For the latest User Installation Guide please visit: www.ergotron.com
For Warranty visit: www.ergotron.com/warranty
For Service visit: www.ergotron.com
For local customer care phone numbers visit: <http://contact.ergotron.com>

Para acceder a la última versión de la Guía de instalación para el usuario, ingrese a www.ergotron.com
Para Garantía, visite: www.ergotron.com/warranty
Para servicio, visite: www.ergotron.com
Para conocer los números telefónicos locales de atención al cliente, visite: <http://contact.ergotron.com>

Pour la dernière version du Guide d'installation de l'utilisateur, visitez : www.ergotron.com.
Pour la garantie, visitez: www.ergotron.com/warranty
Pour le service client, visitez: www.ergotron.com
Pour les numéros de téléphone du service client local, visitez : <http://contact.ergotron.com>

ergotron®

www.ergotron.com | USA: 1-800-888-8458

© 2018 Ergotron, Inc. All rights reserved.

While Ergotron, Inc. makes every effort to provide accurate and complete information on the installation and use of its products, it will not be held liable for any editorial errors or omissions (including those made in the process of translation from English to another language), or for incidental, special or consequential damages of any nature resulting from furnishing this instruction and performance of equipment in connection with this instruction. Ergotron, Inc. reserves the right to make changes in the product design and/or product documentation without notification to its users. For the most current product information, or to know if this document is available in languages other than those herein, please contact Ergotron. No part of this publication may be reproduced, stored in a retrieval system, or transmitted in any form or by any means, electronic, mechanical, photocopying, recording or otherwise without the prior written consent of Ergotron, Inc., 1181 Trapp Road, Eagan, Minnesota, 55121, USA Patents Pending and Patented U.S. & Foreign. Ergotron is a registered trademark of Ergotron, Inc.