



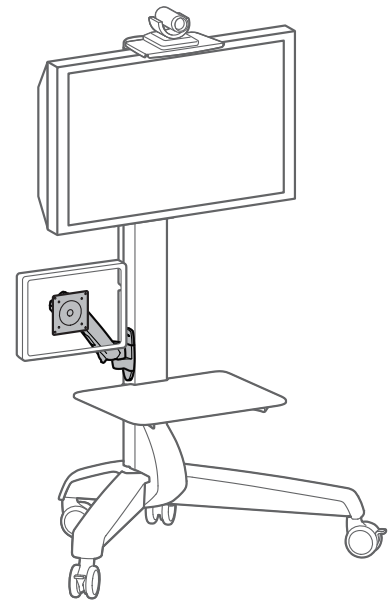
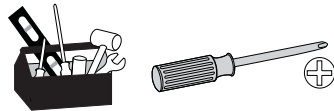


ergotron®

Arm Mounting Kit for Neo-Flex Mobile Media Center, VHD & UHD



	A	B	C
1	2x  M5x14mm	2x 	2x 



EN User Guide

ES Guía del usuario

FR Manuel de l'utilisateur

DE Gebrauchsgids

JA ユーザーガイド

ZH 用户指南

NL Benutzerhandbuch

IT Guida per l'utente

SV Användarhandbok

www.ergotron.com | USA: 1-800-888-8458 | Europe: +31 (0)33-45 45 600 | China: 400-120-3051 | Japan: japansupport@ergotron.com

APPROVED CONFIGURATIONS:

The provided hardware kit should be used only to attach Ergotron's LX Wall Mount Keyboard Arm, LX Wall Mount LCD Arm or Neo-Flex HD Wall Mount Pivot to the Neo-Flex Mobile Media Center, VHD & UHD.
DO NOT mount accessories to the Neo-Flex Mobile Media Center, LD



WARNING! TIPPING HAZARD:

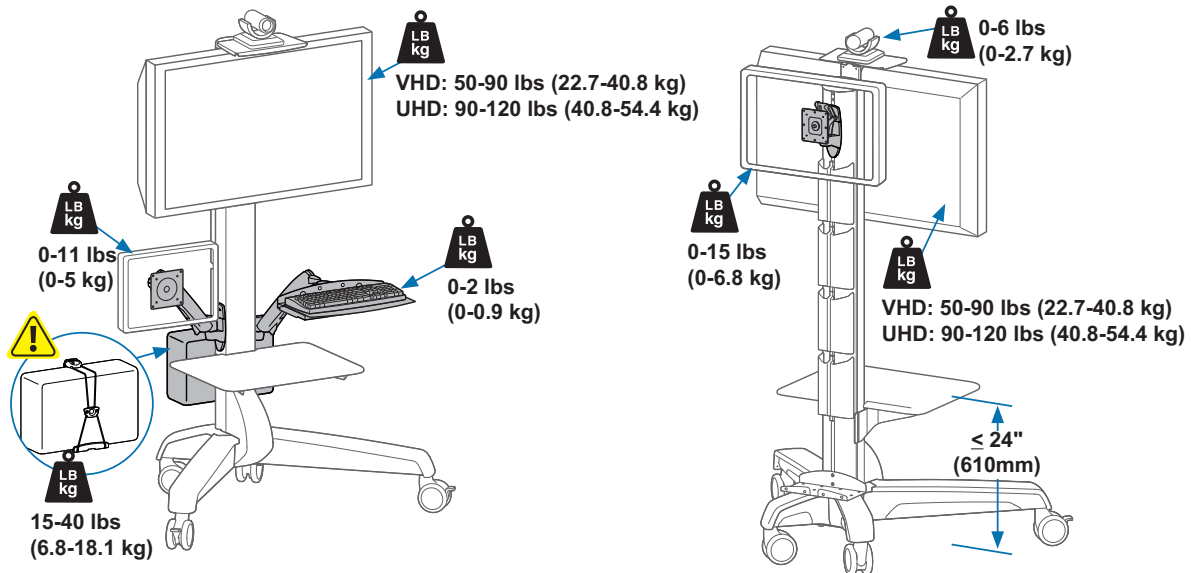
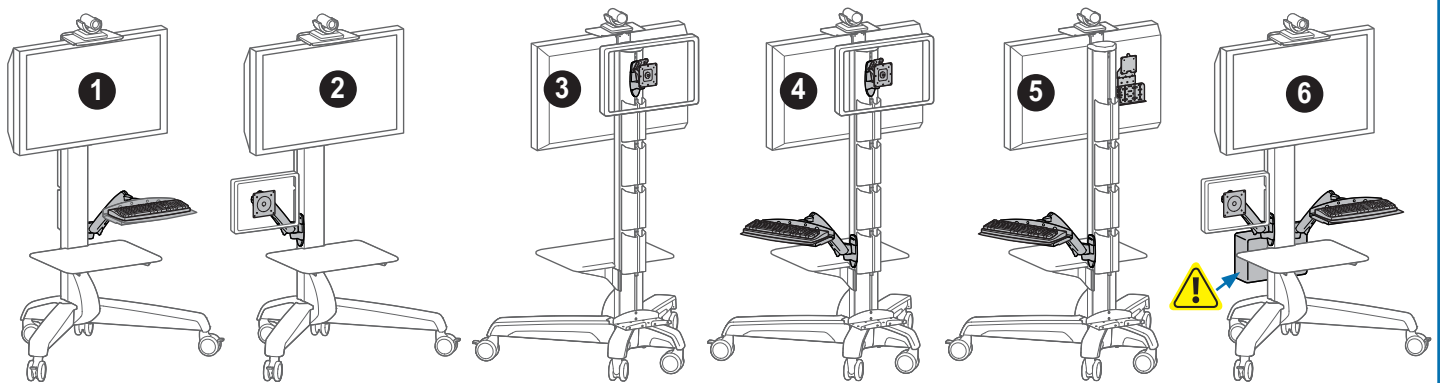
- DO NOT mount more than the safe weight capacity rating to these products.
- DO NOT mount an Extension between the mounting bracket and the Arm or Pivot.
- DO NOT mount the LX Wall Mount Keyboard Arm or LX Wall Mount LCD Arm to the back of the cart.
- DO NOT mount accessories to the Neo-Flex Mobile Media Center, LD

• Mount products in one of the 6 listed configurations.

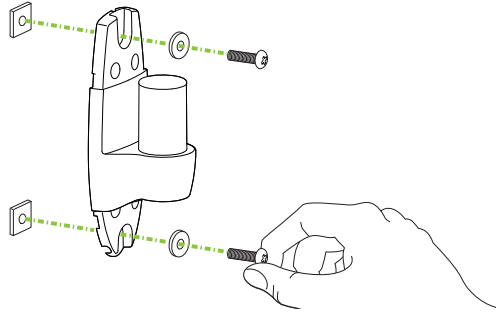
1. LX Wall Mount Keyboard Arm to the side of the cart.
2. LX Wall Mount LCD Arm to the side of the cart.
3. Neo-Flex HD Wall Mount Pivot to the back of the cart.
4. LX Wall Mount Keyboard Arm to the side of the cart and Neo-Flex HD Wall Mount Pivot to the back of the cart.
5. LX Wall Mount Keyboard Arm to the right side of cart only when MMC VESA CPU Mount is present.
6. LX Wall Mount Keyboard Arm & LX Wall Mount LCD Arm to the sides of the cart and CPU to the back of the cart.

WARNING: A CPU weighing 15-40 lbs (6.8-18.1kg) must be mounted when attaching both LX Wall Mount Keyboard Arm & LX Wall Mount LCD Arm (to attach CPU use: Universal CPU holder 80-102-064).

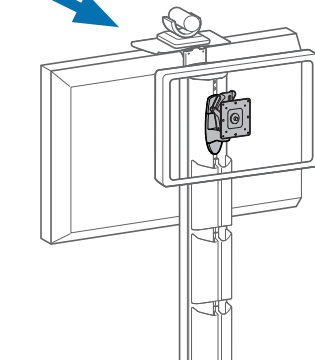
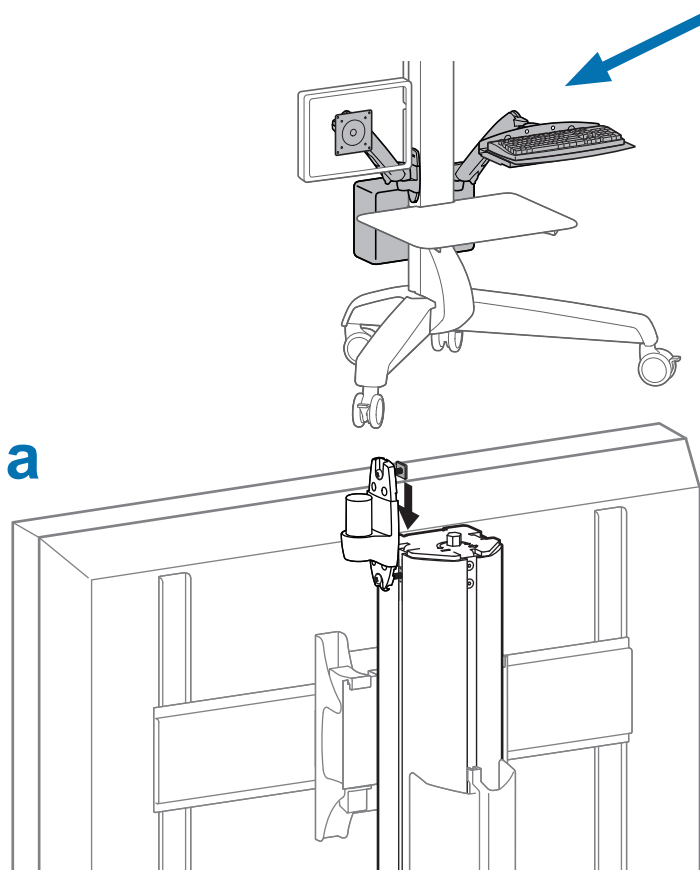
Mounting the hardware kit in any other way than that described in this manual may result in a tipping hazard that could lead to serious personal injury and equipment damage!




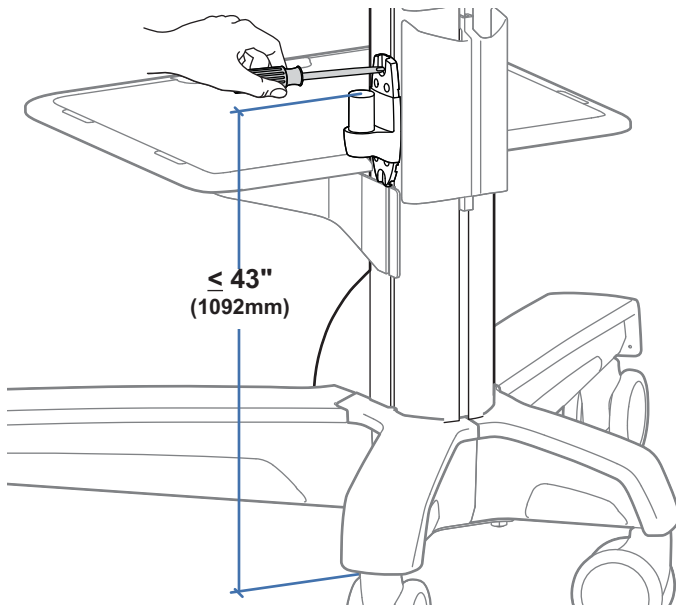
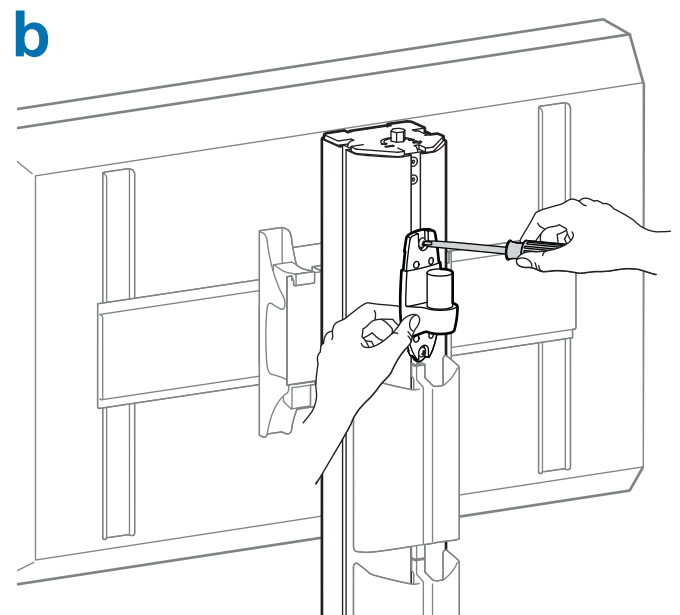
1



2



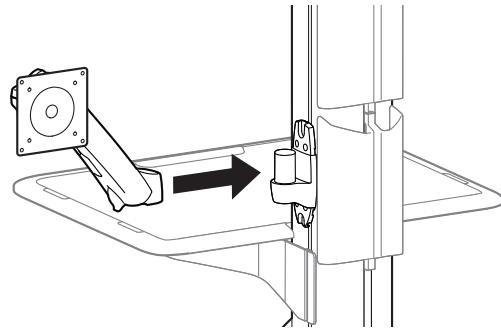
b  **WARNING: TIPPING HAZZARD.**
Position Bracket no more than 43" (1092mm) from the floor.



3

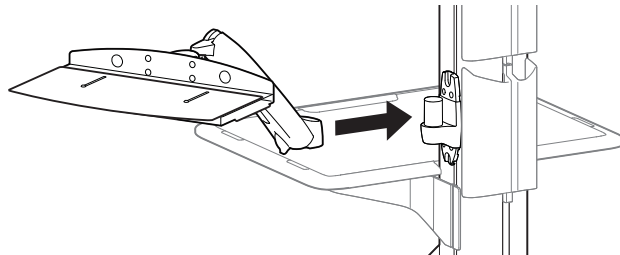
Follow Ergotron LX User Guide
Siga la Guía del usuario de Ergotron LX
Consultez le Mode d'emploi d'Ergotron LX
Seguir o Guia do utilizador Ergotron LX
Siga la Guía del usuario de Ergotron LX
Consultez le Mode d'emploi d'Ergotron LX
Seguir o Guia do utilizador Ergotron LX
以下、Ergotron LX取扱い説明書参照
遵循Ergotron LX安装指南
Ergotron LX 사용자 설명서 준수

888-45-041



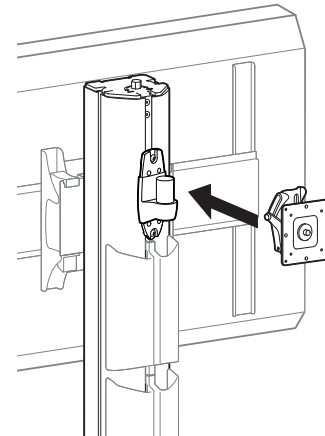
Follow Ergotron LX User Guide
Siga la Guía del usuario de Ergotron LX
Consultez le Mode d'emploi d'Ergotron LX
Seguir o Guia do utilizador Ergotron LX
Siga la Guía del usuario de Ergotron LX
Consultez le Mode d'emploi d'Ergotron LX
Seguir o Guia do utilizador Ergotron LX
以下、Ergotron LX取扱い説明書参照
遵循Ergotron LX安装指南
Ergotron LX 사용자 설명서 준수

888-45-047



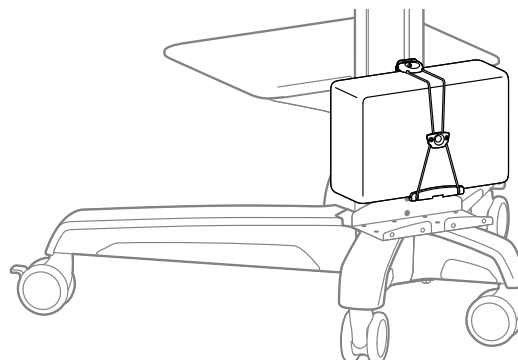
Follow Ergotron Neo-Flex User Guide
Siga la Guía del usuario de Ergotron Neo-Flex
Consultez le Mode d'emploi d'Ergotron Neo-Flex
Seguir o Guia do utilizador Ergotron Neo-Flex
Siga la Guía del usuario de Ergotron Neo-Flex
Consultez le Mode d'emploi d'Ergotron Neo-Flex
Seguir o Guia do utilizador Ergotron Neo-Flex
以下、Ergotron Neo-Flex取扱い説明書参照
遵循Ergotron Neo-Flex安装指南
Ergotron Neo-Flex 사용자 설명서 준수

888-45-050



Universal CPU Holder - User's Guide
Soporte universal para CPU - Guía del usuario
Support universel d'unité centrale - Manuel de l'utilisateur
Universal CPU Halter - Benutzerhandbuch
Universele CPU-houder - Gebruikersgids
Sostegno universale per CPU - Guida per l'utente
ユニバーサル CPU ホールダー: ユーザーガイド
通用主机固定座: 用户指南
범용 CPU 홀더: 사용자 안내서

888-80-026



- EN** For the latest User Installation Guide please visit: www.ergotron.com
For Warranty visit: www.ergotron.com/warranty
For Service visit: www.ergotron.com
For local customer care phone numbers visit: <http://contact.ergotron.com>
- ES** Para acceder a la última versión de la Guía de instalación para el usuario, ingrese a www.ergotron.com
Para Garantía, visite: www.ergotron.com/warranty
Para servicio, visite: www.ergotron.com
Para conocer los números telefónicos locales de atención al cliente, visite: <http://contact.ergotron.com>
- FR** Pour la dernière version du Guide d'installation de l'utilisateur, visitez : www.ergotron.com.
Pour la garantie, visitez: www.ergotron.com/warranty
Pour le service client, visitez: www.ergotron.com
Pour les numéros de téléphone du service client local, visitez : <http://contact.ergotron.com>
- DE** Die aktuellste Anleitung für die Montage durch den Benutzer finden Sie hier: www.ergotron.com
Für Garantie Besuch: www.ergotron.com/warranty
Für Servicebesuch: www.ergotron.com
Örtliche Telefonnummern für den Kundendienst finden Sie hier: <http://contact.ergotron.com>
- JA** 最新のユーザー インストール ガイドは、www.ergotron.com でご確認ください。
保証書をご覧ください: www.ergotron.com/warranty
サービスをご覧ください: www.ergotron.com
最寄りのカスタマー ケアの電話番号については、こちらをご覧ください: <http://contact.ergotron.com>
- ZH** 若需最新的用户安装指南，请访问：www.ergotron.com
为保证参观：www.ergotron.com/warranty
对于上门服务：www.ergotron.com
若需当地客户服务电话号码，请访问：<http://contact.ergotron.com>
- NL** De nieuwste Gids voor installatie door de gebruiker kunt u vinden op: www.ergotron.com
Ga voor garantie naar: www.ergotron.com/warranty
Ga voor service naar: www.ergotron.com
Plaatselijke telefoonnummers voor de klantendienst kunt u vinden op: <http://contact.ergotron.com>
- IT** Per la versione più recente della Guida all'installazione per l'utente, visitare il sito web: www.ergotron.com
Per la garanzia visitare: www.ergotron.com/warranty
Per assistenza visitare: www.ergotron.com
Per conoscere i numeri di telefono dell'assistenza clienti locale, visitare: <http://contact.ergotron.com>
- SV** För den senaste Installationshandboken se: www.ergotron.com
För garanti, gå till: www.ergotron.com/warranty
För service, gå till: www.ergotron.com
För lokala kundtjänstnummer, gå till: <http://contact.ergotron.com>

ergotron®

www.ergotron.com | USA: 1-800-888-8458 | Europe: +31 (0)33-45 45 600 | China: 400-120-3051 | Japan: japansupport@ergotron.com

© 2009 Ergotron, Inc. All rights reserved.

While Ergotron, Inc. makes every effort to provide accurate and complete information on the installation and use of its products, it will not be held liable for any editorial errors or omissions (including those made in the process of translation from English to another language), or for incidental, special or consequential damages of any nature resulting from furnishing this instruction and performance of equipment in connection with this instruction. Ergotron, Inc. reserves the right to make changes in the product design and/or product documentation without notification to its users. For the most current product information, or to know if this document is available in languages other than those herein, please contact Ergotron. No part of this publication may be reproduced, stored in a retrieval system, or transmitted in any form or by any means, electronic, mechanical, photocopying, recording or otherwise without the prior written consent of Ergotron, Inc., 1181 Trapp Road, Eagan, Minnesota, 55121, USA Patents Pending and Patented U.S. & Foreign. Ergotron is a registered trademark of Ergotron, Inc.