

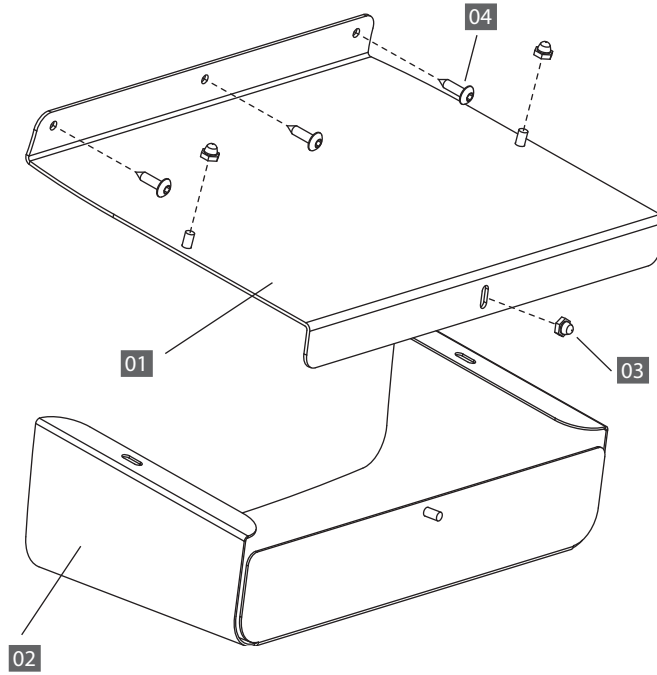
ergotron®

Zido™ Side Bin



Product	Part#
Zido Side Bin, Cool Grey	ZSBCG

NOTE: The Zido cart is not included.



NOTE

An electric drill and 1/8" drill bit are required for this assembly.

A 5/32" hex driver (provided with your Zido cart) is required for this assembly.

PARTS LIST

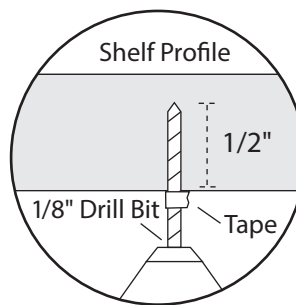
Before beginning assembly of your Zido Side Bin, please review the parts list to verify that your shipment is complete.

Zido Side Bin	Quantity
01 Side Bin Back	1
02 Side Bin Front	1
03 #10-9 x 3/4" Wood Screws	3

STEP 1

Pre-drill the Zido Shelf

- Select the installation location. Place the Side Bin on the bottom of the shelf at the right location so that the holes are against the shelf. Using the Bin as a template, mark the drill points on the bottom of the shelf.
- Drill the screw holes using a 1/8" drill bit. Because the shelf is 3/4" thick, only drill the hole 1/2" deep. (Mark your drill bit with masking tape to be sure you don't drill too far.)



STEP 2

Install the Bin

- Align the top of the Bin with the holes on the Zido shelf. Secure using three 3/4" Wood Screws.

CONGRATULATIONS! YOUR ZIDO SIDE BIN ASSEMBLY IS COMPLETE!

ergotron[®]

For the latest User Installation Guide please visit: www.ergotron.com

For Warranty visit: www.ergotron.com/warranty

For Service visit: www.ergotron.com

For local customer care phone numbers visit: <http://contact.ergotron.com>

www.ergotron.com | USA: 1-800-888-8458 | Europe: +31 (0)33-45 45 600 | China: 400-120-3051 | Japan: japansupport@ergotron.com

© 2016 Ergotron, Inc. All rights reserved.

While Ergotron, Inc. makes every effort to provide accurate and complete information on the installation and use of its products, it will not be held liable for any editorial errors or omissions (including those made in the process of translation from English to another language), or for incidental, special or consequential damages of any nature resulting from furnishing this instruction and performance of equipment in connection with this instruction. Ergotron, Inc. reserves the right to make changes in the product design and/or product documentation without notification to its users. For the most current product information, or to know if this document is available in languages other than those herein, please contact Ergotron. No part of this publication may be reproduced, stored in a retrieval system, or transmitted in any form or by any means, electronic, mechanical, photocopying, recording or otherwise without the prior written consent of Ergotron, Inc., 1181 Trapp Road, Eagan, Minnesota, 55121, USA Patents Pending and Patented U.S. & Foreign. Ergotron is a registered trademark of Ergotron, Inc.