

ergotron®

Zido™ Handle



Product	Part#
Zido Handle	ZHzz

NOTE: The Zido cart is not included.

PARTS LIST

Before beginning assembly of your Zido Handle, please review the parts list to verify that your shipment is complete.

A 1/8" Hex Key is provided for this assembly.

01 – HANDLE.....	QTY 1
02 – 1" SCREWS.....	QTY 4



STEP 1

Align the Handle

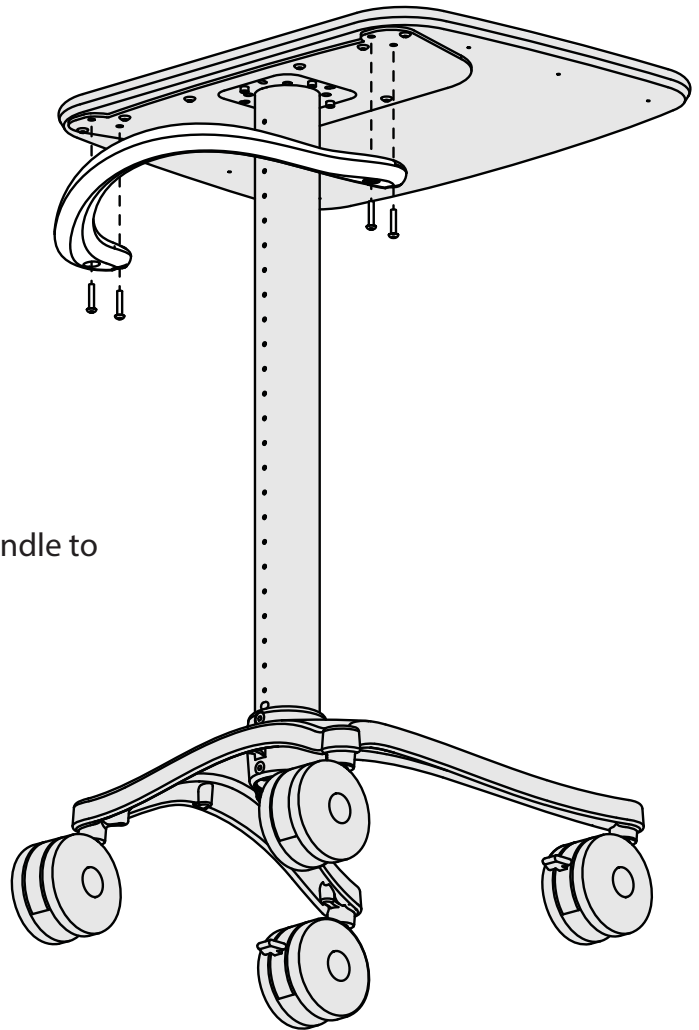
- Align the handle with the open holes on bracket on the bottom of the Zido shelf. Make sure that the handle curves up.

STEP 2

Install the handle

- Using the 1/8" hex key provided, attach the handle to the base unit with four 1" Cap Screws.

Congratulations! Your assembly is complete!



ergotron®

For the latest User Installation Guide please visit: www.ergotron.com

For Warranty visit: www.ergotron.com/warranty

For Service visit: www.ergotron.com

For local customer care phone numbers visit: <http://contact.ergotron.com>

www.ergotron.com | USA: 1-800-888-8458 | Europe: +31 (0)33-45 45 600 | China: 400-120-3051 | Japan: japansupport@ergotron.com

© 2015 Ergotron, Inc. All rights reserved.

While Ergotron, Inc. makes every effort to provide accurate and complete information on the installation and use of its products, it will not be held liable for any editorial errors or omissions (including those made in the process of translation from English to another language), or for incidental, special or consequential damages of any nature resulting from furnishing this instruction and performance of equipment in connection with this instruction. Ergotron, Inc. reserves the right to make changes in the product design and/or product documentation without notification to its users. For the most current product information, or to know if this document is available in languages other than those herein, please contact Ergotron. No part of this publication may be reproduced, stored in a retrieval system, or transmitted in any form or by any means, electronic, mechanical, photocopying, recording or otherwise without the prior written consent of Ergotron, Inc., 1181 Trapp Road, Eagan, Minnesota, 55121, USA. Patents Pending and Patented U.S. & Foreign. Ergotron is a registered trademark of Ergotron, Inc.