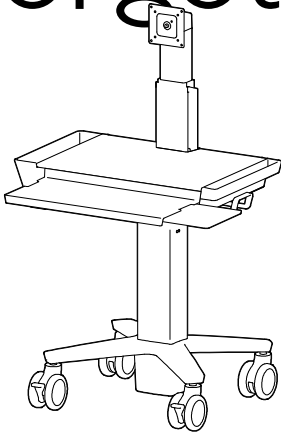
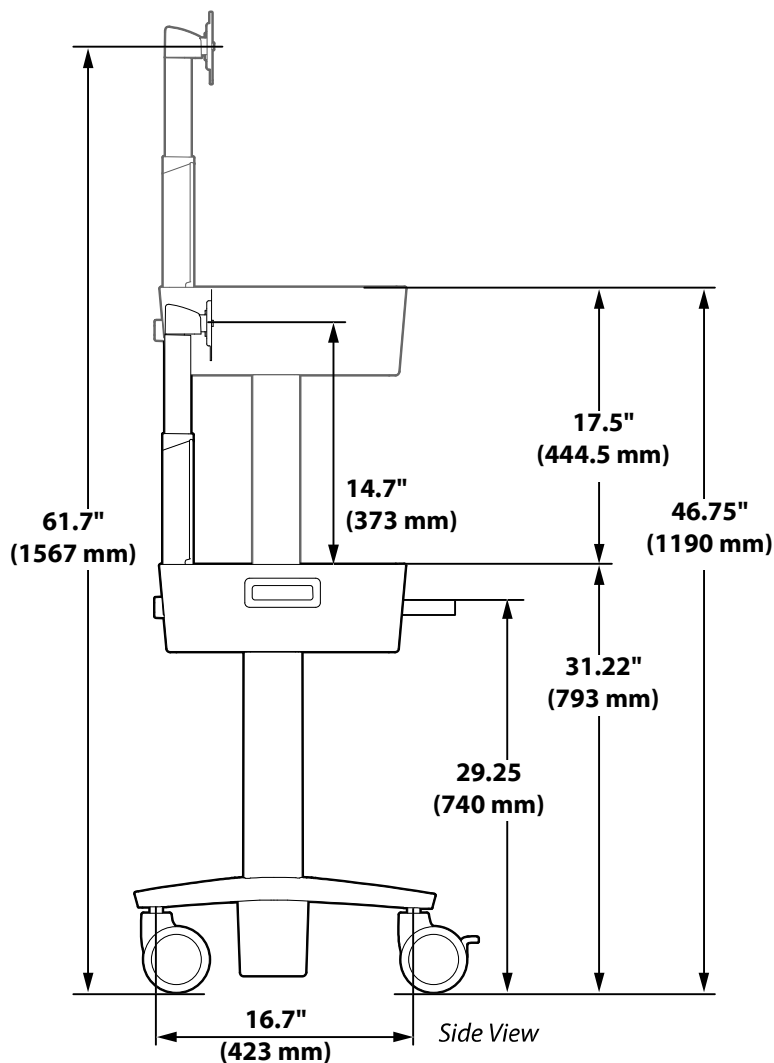


# CareFit™ Slim LCD Cart



## DIMENSIONS

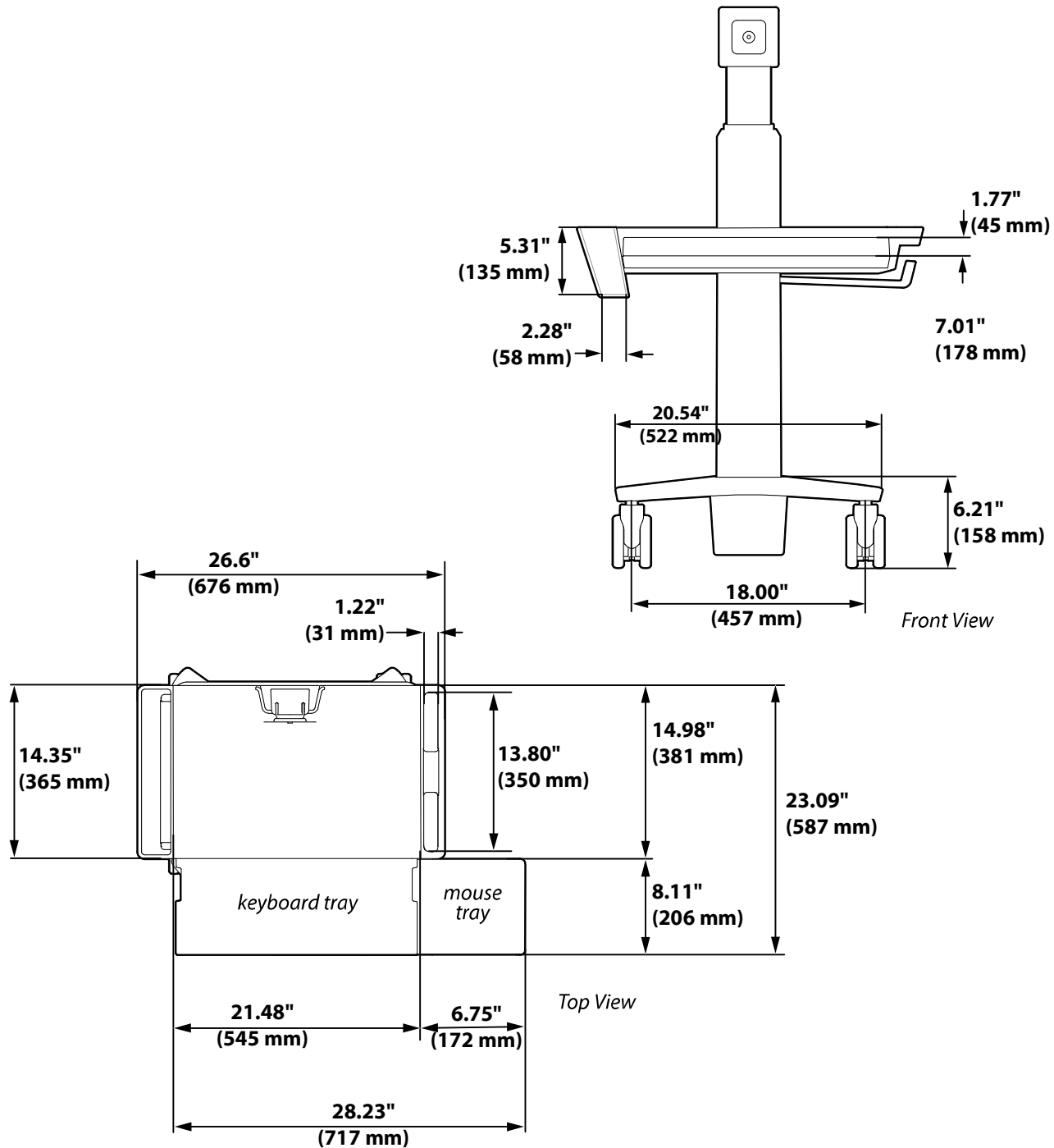


© 2020 Ergotron, Inc. rev. 02/09/2021 DIM-CFSlimLCDCartII Content is subject to change without notification

Americas Sales and Corporate Headquarter	EMEA Sales	APAC Sales	Worldwide OEM Sales
St. Paul, MN USA (800) 888-8458 +1-651-681-7600 www.ergotron.com nsidesales@ergotron.com	Amersfoort, The Netherlands +31 33 45 45 600 www.ergotron.com info.eu@ergotron.com	Sydney, Australia www.ergotron.com apaccustomerservice@ergotron.com	www.ergotron.com info.oem@ergotron.com

# CareFit™ Slim LCD Cart

## DIMENSIONS

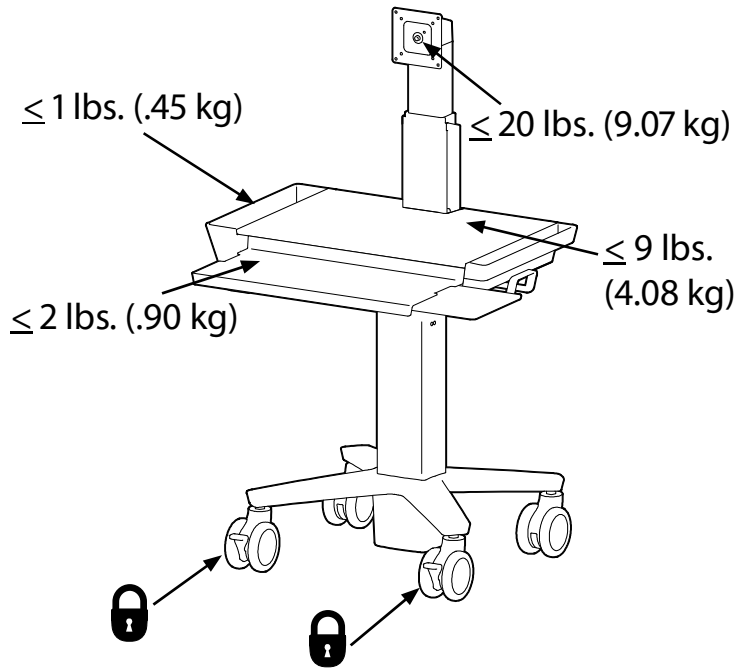


© 2020 Ergotron, Inc. rev. 02/09/2021 DIM-CFSlimLCDCartII Content is subject to change without notification

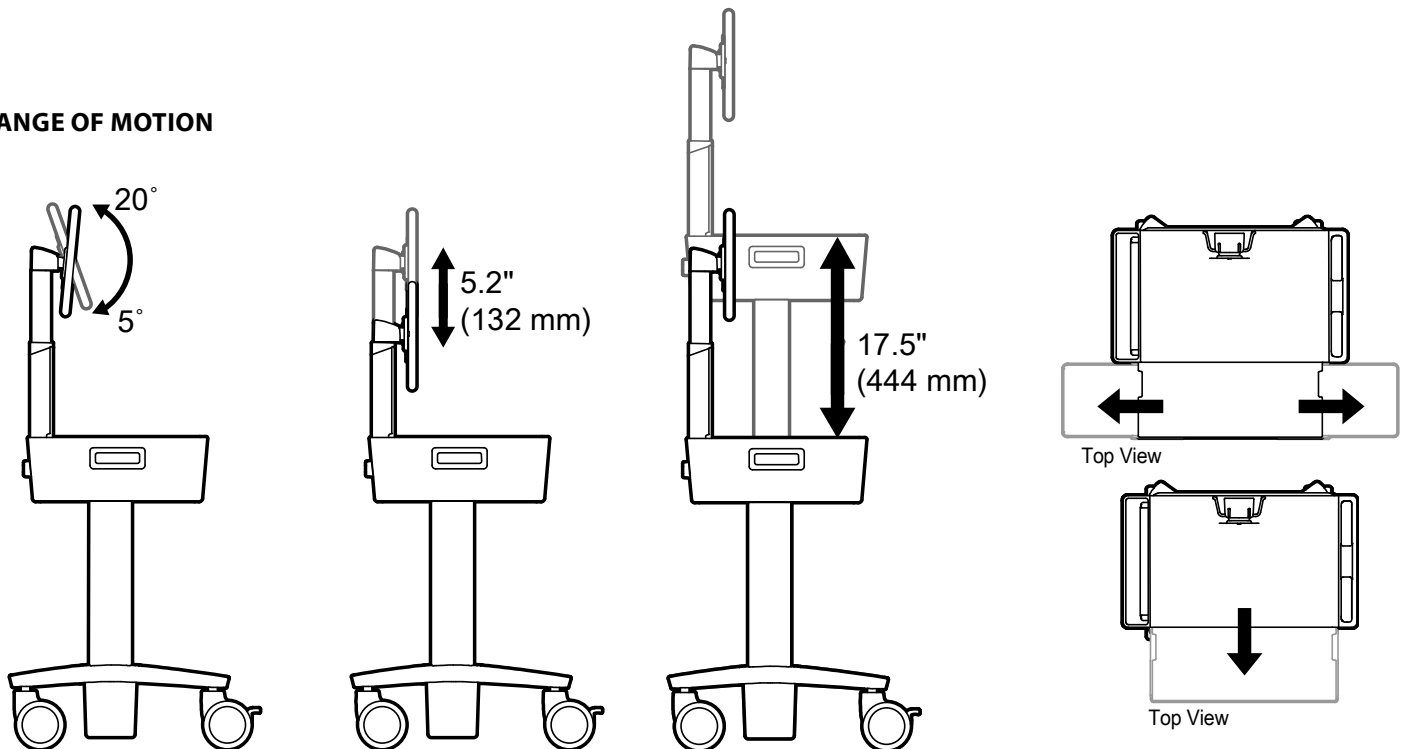
Americas Sales and Corporate Headquarter	EMEA Sales	APAC Sales	Worldwide OEM Sales
St. Paul, MN USA (800) 888-8458 +1-651-681-7600 www.ergotron.com nsidesales@ergotron.com	Amersfoort, The Netherlands +31 33 45 45 600 www.ergotron.com info.eu@ergotron.com	Sydney, Australia www.ergotron.com apaccustomerservice@ergotron.com	www.ergotron.com info.oem@ergotron.com

## CareFit™ Slim LCD Cart

### WEIGHT CAPACITY



### RANGE OF MOTION



© 2020 Ergotron, Inc. rev. 02/09/2021 DIM-CFSlimLCDCartII Content is subject to change without notification

#### Americas Sales and Corporate Headquarter

St. Paul, MN USA  
 (800) 888-8458  
 +1-651-681-7600  
[www.ergotron.com](http://www.ergotron.com)  
[nsidesales@ergotron.com](mailto:nsidesales@ergotron.com)

#### EMEA Sales

Amersfoort, The Netherlands  
 +31 33 45 45 600  
[www.ergotron.com](http://www.ergotron.com)  
[info.eu@ergotron.com](mailto:info.eu@ergotron.com)

#### APAC Sales

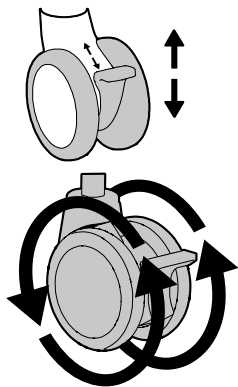
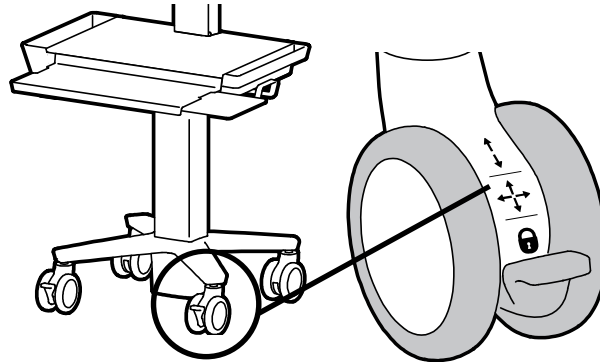
Sydney, Australia  
[www.ergotron.com](http://www.ergotron.com)  
[apaccustomerservice@ergotron.com](mailto:apaccustomerservice@ergotron.com)

#### Worldwide OEM Sales

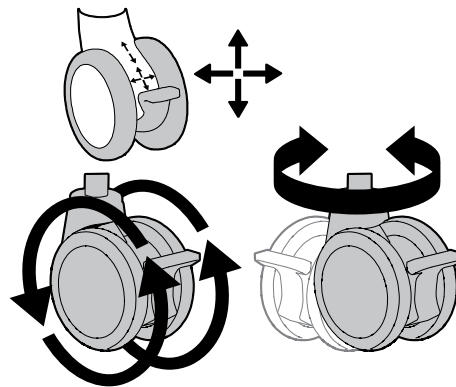
[www.ergotron.com](http://www.ergotron.com)  
[info.oem@ergotron.com](mailto:info.oem@ergotron.com)

# CareFit™ Slim LCD Cart

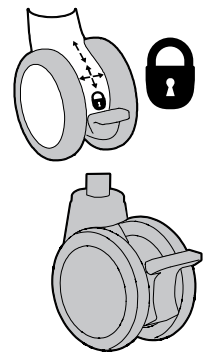
## 3 FUNCTION CASTER



Wheel Rotation



Wheel Rotation and Swivel



Locked

**Americas Sales and Corporate Headquarter**

St. Paul, MN USA  
 (800) 888-8458  
 +1-651-681-7600  
[www.ergotron.com](http://www.ergotron.com)  
[nsidesales@ergotron.com](mailto:nsidesales@ergotron.com)

**EMEA Sales**

Amersfoort, The Netherlands  
 +31 33 45 45 600  
[www.ergotron.com](http://www.ergotron.com)  
[info.eu@ergotron.com](mailto:info.eu@ergotron.com)

**APAC Sales**

Sydney, Australia  
[www.ergotron.com](http://www.ergotron.com)  
[apaccustomerservice@ergotron.com](mailto:apaccustomerservice@ergotron.com)

**Worldwide OEM Sales**

[www.ergotron.com](http://www.ergotron.com)  
[info.oem@ergotron.com](mailto:info.oem@ergotron.com)