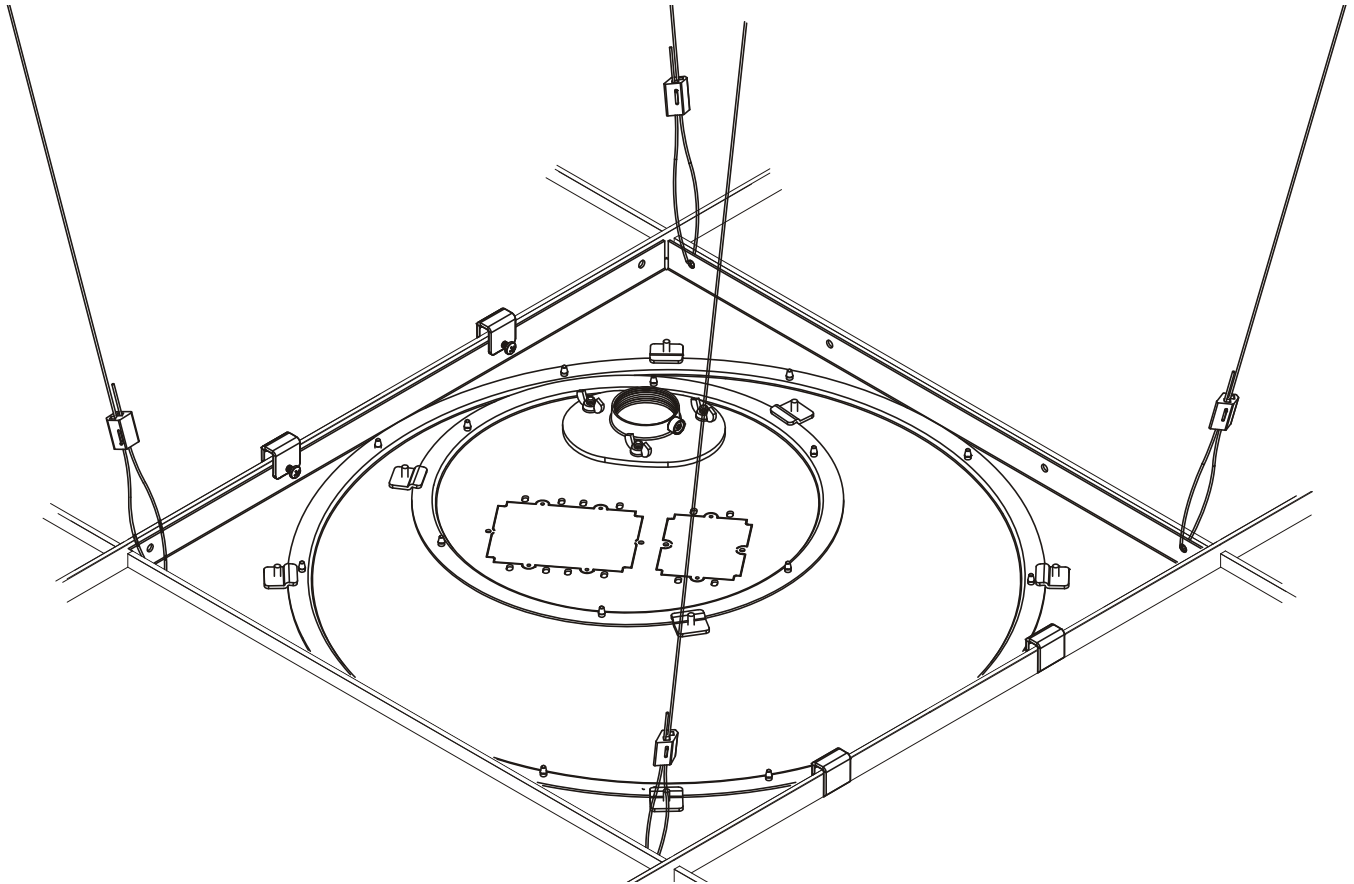


INSTALLATION INSTRUCTIONS

Instrucciones de instalación
Installationsanleitung
Instruções de Instalação

Istruzioni di installazione
Installatie-instructies
Instructions d'installation



Suspended Ceiling Kit

Juego de techo suspendido
Hängedecken-Kit
Kit de instalação de teto suspenso
Kit di sospensione a soffitto
Vrijhangend-plafondkit
Kit de plafond suspendu

DISCLAIMER

Milestone AV Technologies and its affiliated corporations and subsidiaries (collectively "Milestone"), intend to make this manual accurate and complete. However, Milestone makes no claim that the information contained herein covers all details, conditions or variations, nor does it provide for every possible contingency in connection with the installation or use of this product. The information contained in this document is subject to change without notice or obligation of any kind. Milestone makes no representation of warranty, expressed or implied, regarding the information contained herein. Milestone assumes no responsibility for accuracy, completeness or sufficiency of the information contained in this document.

Chief® is a registered trademark of Milestone AV Technologies. All rights reserved.



IMPORTANT WARNINGS AND CAUTIONS!



WARNING: A WARNING alerts you to the possibility of serious injury or death if you do not follow the instructions.



CAUTION: A CAUTION alerts you to the possibility of damage or destruction of equipment if you do not follow the corresponding instructions.



WARNING: Failure to read, thoroughly understand, and follow all instructions can result in serious personal injury, damage to equipment, or voiding of factory warranty! It is the installer's responsibility to make sure all components are properly assembled and installed using the instructions provided.



WARNING: Failure to provide adequate structural strength for this component can result in serious personal injury or damage to equipment! It is the installer's responsibility to make sure the structure to which this component is attached can support five times the combined weight of all equipment. Reinforce the structure as required before installing the component.



WARNING: Exceeding the weight capacity can result in serious personal injury or damage to equipment! It is the installer's responsibility to make sure the combined weight of all components attached to the CMS-445 does not exceed 50 lbs (22 kg).



¡AVISOS y PRECAUCIONES IMPORTANTES!



AVISO: Un AVISO llama su atención sobre la posibilidad de sufrir lesiones de gravedad o incluso mortales si no sigue las instrucciones.



PRECAUCIÓN: Una nota de PRECAUCIÓN llama su atención sobre la posibilidad de dañar o destruir el equipo si no sigue las instrucciones.



AVISO: Si no lee, comprende perfectamente y sigue todas las instrucciones, podría causar daños graves a personas y materiales o anular la garantía de fábrica. El instalador es el responsable de asegurarse de que todos los componentes están correctamente montados e instalados siguiendo las instrucciones indicadas.



AVISO: Si no se proporciona la resistencia estructural adecuada para este componente, podrían provocarse graves daños personales o materiales. El instalador es el responsable de asegurarse de que la estructura a la que este componente está sujeta puede soportar cinco veces el peso combinado de todo el equipo. Refuerce la estructura según sea necesario antes de instalar el componente.



AVISO: Si se excede el peso máximo, podrían causarse graves daños personales o materiales. El instalador es responsable de asegurarse de que el peso combinado de todos los componentes montados en el CMS-445 no excede 22 kg (50 libras).



WICHTIGE WARN- und VORSICHTSHINWEISE!



WARNUNG: Ein WARNHINWEIS macht auf mögliche schwere oder tödliche Verletzungen aufmerksam, die bei Nichtbefolgung der Anweisungen eintreten können.



VORSICHT: Ein VORSICHTSHINWEIS macht auf Schäden oder mögliche Zerstörung des Geräts aufmerksam, die bei Nichtbefolgung der Anweisungen eintreten können.



WARNUNG: Falls nicht alle Anweisungen gelesen und gut verstanden werden, kann dies zu schweren Körperverletzungen, Schaden an den Geräten führen und die Werksgarantie nichtig machen! Der Monteur ist dafür verantwortlich, dass alle Komponenten unter Einhaltung der mitgelieferten Anweisungen korrekt zusammengesetzt und eingebaut werden.



WARNUNG: Wenn für diese Komponente keine ausreichende bauliche Tragkraft vorhanden ist, kann dies zu

schweren Körperverletzungen oder Schäden an den Geräten führen! Der Installateur ist dafür verantwortlich zu überprüfen, ob die Wand, an der diese Komponente verankert wird, das Fünffache der Gesamtlast aller befestigten Geräte sicher tragen kann. Andernfalls muss die Wand verstärkt werden, bevor die Komponente angebracht wird.



AVVERTENZA: Wenn das zulässige Gewicht überschritten wird, kann dies zu schweren Körperverletzungen oder Schäden an den Geräten führen! Der Monteur ist dafür verantwortlich, dass das kombinierte Gewicht aller Komponenten, die am Modell CMS-445 befestigt sind, nicht mehr als 22 kg beträgt.



ADVERTÊNCIAS e AVISOS IMPORTANTES!



ADVERTÊNCIA: Os alertas de ADVERTÊNCIA avisam-no para a possibilidade de ocorrência de graves lesões ou morte no caso de incumprimento das instruções.



AVISO: Os alertas de AVISO avisam-no para a possibilidade de danos ou destruição do equipamento no caso de incumprimento das instruções.



ADVERTÊNCIA: Se não ler, compreender completamente e seguir todas as instruções podem ocorrer graves lesões pessoais, danos no equipamento e a garantia de fábrica pode ser anulada! É da responsabilidade do instalador certificar-se de que todos os componentes são correctamente montados e instalados de acordo com as instruções fornecidas.



ADVERTÊNCIA: Se não for proporcionado apoio estrutural adequado a este componente podem ocorrer graves lesões pessoais ou danos no equipamento! É da responsabilidade do instalador certificar-se de que a estrutura à qual este componente é ligado pode suportar cinco vezes o peso combinado de todo o equipamento. Reforce a estrutura conforme necessário antes de instalar o componente.



ADVERTÊNCIA: Exceder a capacidade de peso pode resultar em graves lesões pessoais ou danos no equipamento! É da responsabilidade do instalador certificar-se de que o peso combinado de todos os componentes ligados ao CMS-445 não excede 22 kg.



AVVERTENZE e PRECAUZIONI IMPORTANTI!



AVVERTENZA: Un'AVVERTENZA mette in guardia in merito

alla possibilità di gravi infortuni, anche letali, qualora non si osservino le istruzioni.



ATTENZIONE: Un'ATTENZIONE indica la possibilità di gravi danni all'attrezzatura qualora non ci si attiene alle istruzioni al riguardo.



AVVERTENZA: La mancata comprensione e ottemperanza alle istruzioni fornite può provocare gravi lesioni personali, danni all'apparecchiatura o annullare la garanzia fornita dal produttore. Spetta all'installatore verificare che tutti i componenti siano assemblati correttamente e installati secondo le istruzioni fornite.



AVVERTENZA: Una resistenza strutturale inadeguata per questo componente può arrecare gravi infortuni o danneggiare l'apparecchiatura. È responsabilità dell'installatore verificare che la struttura alla quale è fissato il componente sostenga con sicurezza cinque volte il carico combinato di tutta l'apparecchiatura. Rinforzare la struttura secondo necessità prima di installare i componenti.



AVVERTENZA: Un peso superiore alla capacità nominale può arrecare gravi infortuni o danneggiare l'apparecchiatura. È responsabilità dell'installatore verificare che il peso totale di tutti i componenti montati sul CMS-445 non superi 22 kg (50 lb).



BELANGRIJKE AANWIJZINGEN en WAARSCHUWINGEN!



WAARSCHUWING: Een WAARSCHUWING vestigt uw aandacht op de mogelijkheid van ernstig of dodelijk letsel als u de instructies niet opvolgt.



VOORZICHTIG: De aanwijzing VOORZICHTIG vestigt uw aandacht op de mogelijkheid van beschadiging of onherstelbare beschadiging van de apparatuur als u de betreffende instructies niet opvolgt.



WAARSCHUWING: Door niet alle instructies te lezen, volledig te begrijpen en op te volgen, riskeert u ernstig persoonlijk letsel, beschadiging van de apparatuur en het vervallen van de fabrieksgarantie. Degene die het product installeert is ervoor verantwoordelijk dat alle onderdelen aan de hand van de meegeleverde handleiding op de juiste wijze worden samengebouwd en gemonteerd.



WAARSCHUWING: Als u voor deze component onvoldoende constructiesterke beschikbaar stelt, riskeert u

ernstig persoonlijk letsel of beschadiging van de apparatuur! Degene die de structuur monteert waaraan deze component is bevestigd, is ervoor verantwoordelijk dat deze minimaal vijf maal het gezamenlijke gewicht van alle apparatuur kan dragen. Zonodig dient u de structuur vóór de montage van de component te versterken.



WAARSCHUWING: Overschrijding van het draagvermogen kan de oorzaak zijn van ernstig persoonlijk letsel en beschadiging van de apparatuur! Degene die het product installeert is ervoor verantwoordelijk dat het totale gewicht van alle componenten die aan de CMS-445 worden bevestigd een gewicht van 22 kg niet overschrijdt.

de l'équipement si vous ne suivez pas les instructions correspondantes.



AVERTISSEMENT: Le manque de la lecture, de la compréhension et du respect total de toutes les instructions, peut entraîner des blessures corporelles graves, endommager l'équipement ou annuler la garantie d'usine. Il incombe à l'installateur de s'assurer que tous les composants sont correctement assemblés et installés à l'aide des instructions fournies.



AVERTISSEMENT: L'absence de l'apport d'une résistance structurelle appropriée pour ce composant peut entraîner des blessures corporelles graves ou endommager l'équipement. Il incombe à l'installateur de s'assurer que la structure à laquelle le composant est attaché peut soutenir cinq fois le poids combiné de tout l'équipement. Renforcer la structure selon les besoins avant l'installation du composant.



AVERTISSEMENT: Dépasser la capacité pondérale peut entraîner des blessures corporelles graves ou endommager l'équipement. Il incombe à l'installateur de s'assurer que le poids combiné de tous les composants attachés à CMS-445 n'est pas supérieur à 22 kg (50 lb).



IMPORTANT AVERTISSEMENTS et PRÉCAUTIONS!

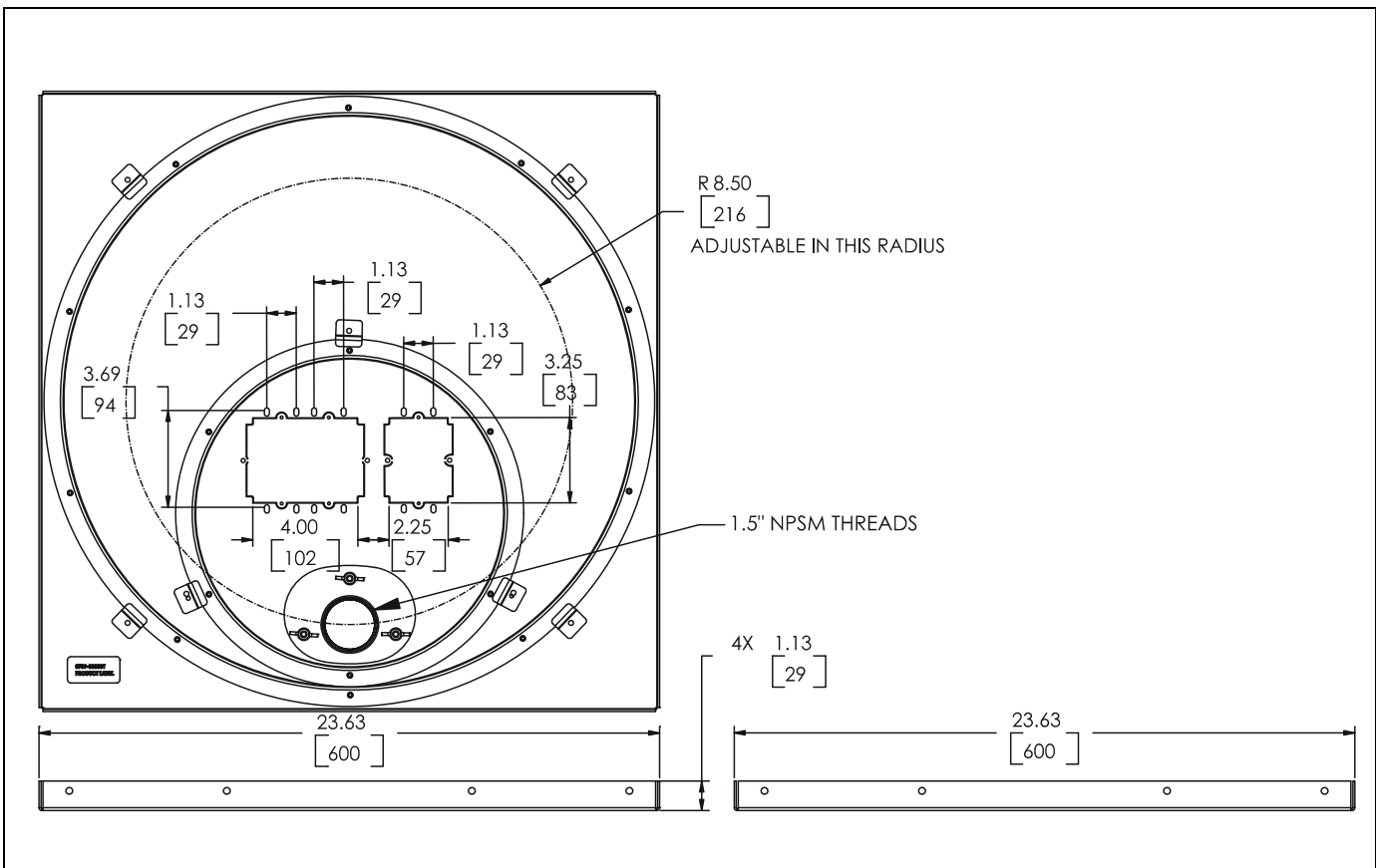


AVERTISSEMENT: Un AVERTISSEMENT vous met en garde contre les possibilités de blessures graves ou de danger de mort si vous ne suivez pas les instructions.



PRÉCAUTION: Une PRÉCAUTION vous met en garde contre les possibilités d'endommagements et de destruction

DIMENSIONS



LEGEND

	Tighten Fastener
	Apretar elemento de fijación
	Befestigungsteil festziehen
	Apertar fixador
	Serrare il fissaggio
	Bevestiging vastdraaien
Serrez les fixations	

	Pencil Mark
	Marcar con lápiz
	Stiftmarkierung
	Marcar com lápis
	Segno a matita
	Potloodmerkten
Marquage au crayon	

	Loosen Fastener
	Aflojar elemento de fijación
	Befestigungsteil lösen
	Desapertar fixador
	Allentare il fissaggio
	Bevestiging losdraaien
Desserrez les fixations	

	Drill Hole
	Perforar
	Bohrloch
	Fazer furo
	Praticare un foro
	Gat boren
Percez un trou	

	Phillips Screwdriver
	Destornillador Phillips
	Kreuzschlitzschraubendreher
	Chave de fendas Phillips
	Cacciavite a stella
	Kruiskopschroevendraaier
Tournevis à pointe cruciforme	

	Adjust
	Ajustar
	Einstellen
	Ajustar
	Regolare
	Afstellen
Ajuster	

	By Hand
	A mano
	Von Hand
	Com a mão
	A mano
	Met de hand
À la main	

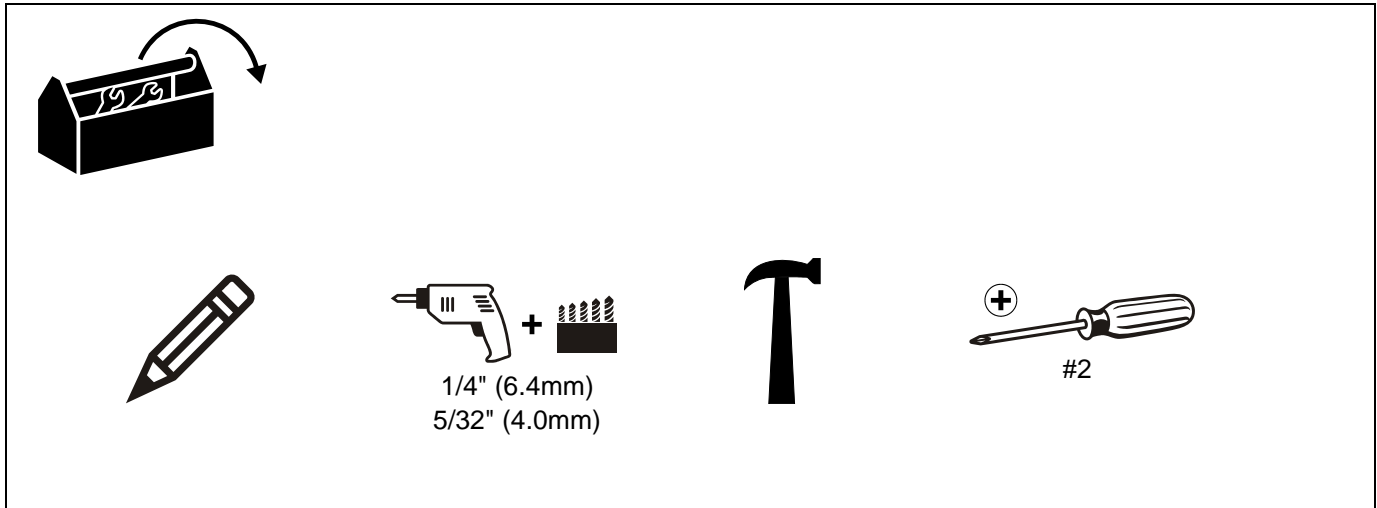
	Optional
	Opcional
	Optional
	Opcional
	Opzionale
	Optie
En option	

	Target of Projector
	Punto de enfoque del proyector
	Ziel des Projektors
	Mira do projector
	Punto di proiezione
	Doel van de projector
Cible du projecteur	

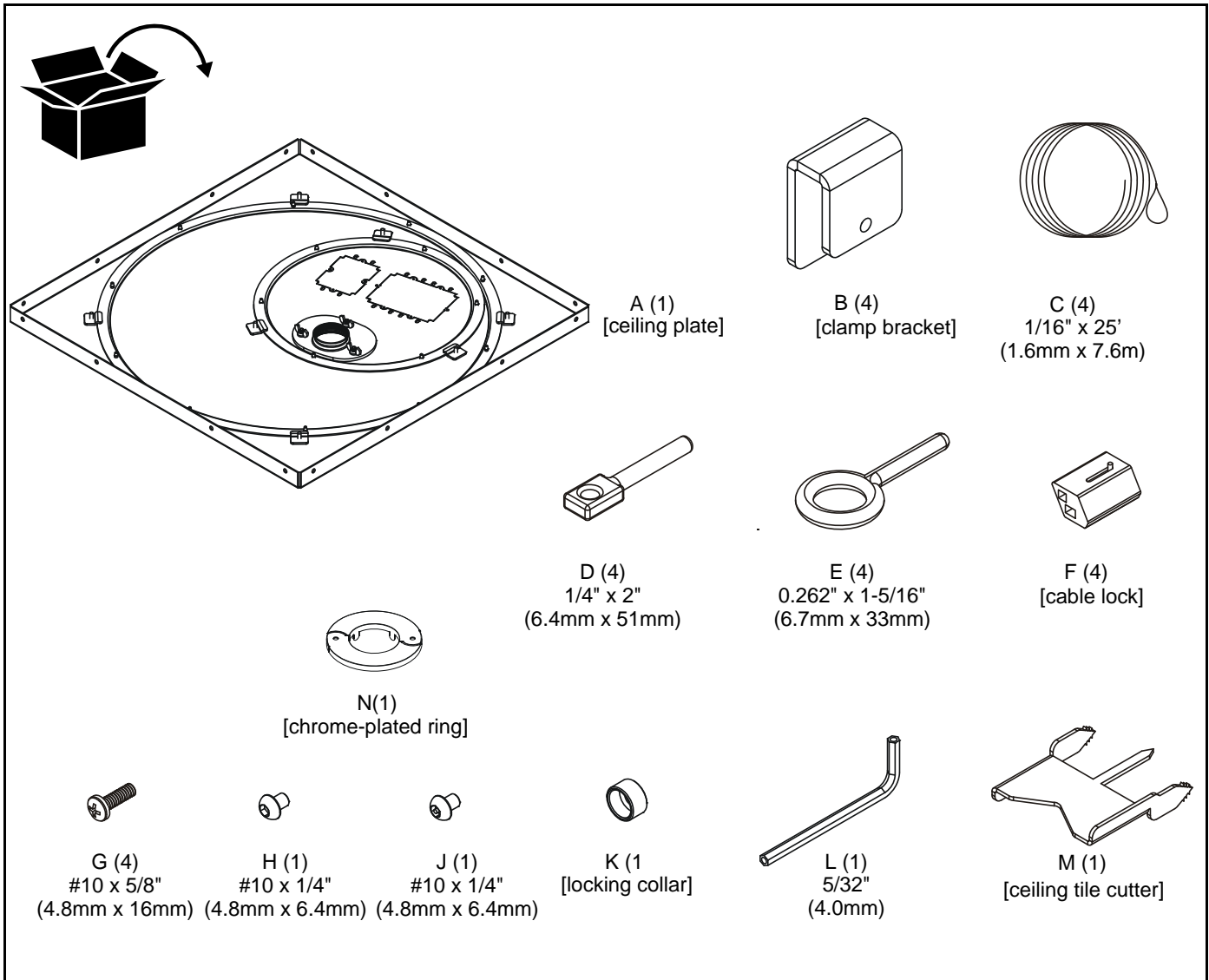
	Security Wrench
	Llave de seguridad
	Sicherheitsschlüssel
	Chave de segurança
	Chiave di sicurezza
	Veiligheidssleutel
Clé de sécurité	

	Hammer
	Martillo
	Hammer
	Martelo
	Martello
	Hamer
Marteau	

TOOLS REQUIRED FOR INSTALLATION



PARTS



PREPARATION

NOTE: The CMS-445 may either *replace* an existing suspended ceiling tile, or it may be installed *on top of* an existing suspended ceiling tile. Procedural differences are called out as applicable.

1. Determine exact location of extension column (accessory not included) on suspended ceiling. Ensure column centerline falls within 8-1/2" (216mm) radius of tile centerpoint (See Figure 1).

Be sure to consider the following items when determining column location (See Figure 2):

- Dimensional offset of display/projector relative to column (due to mount and/or interface).
- For Projectors: Any recommended dimensions of projector relative to target (See installation instructions included with the projector).

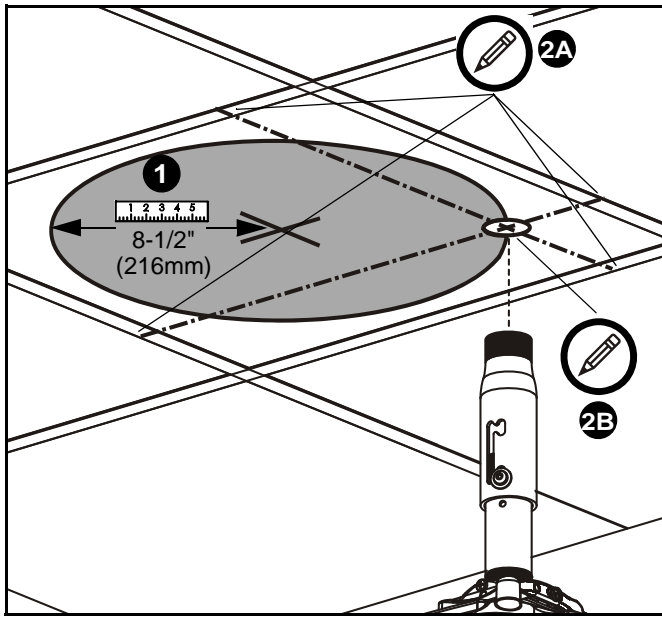


Figure 1

2. Mark location of column determined in Step 1 with pencil (See Figure 1):
 - A. REPLACEMENT OF EXISTING TILE:
Mark location on ceiling tile framework (4 places).
 - B. INSTALLATION ON TOP OF EXISTING TILE:
Mark location on lower (finished) side of ceiling tile (1 place).
3. Remove affected ceiling tile and any adjacent tiles required for access.
4. If you are replacing an existing tile, proceed to Step 7. Otherwise, continue below.
5. Press center tip of tool (M) into *finished* side of ceiling tile at marked location. Cut extension column hole through tile using back and forth hand twisting motion.
6. Reinstall ceiling tile with extension column hole. Ensure tile is oriented for proper location of hole.
7. Loosen seven clamp screws in lower (finished) side of tray (A) (See Figure 3).

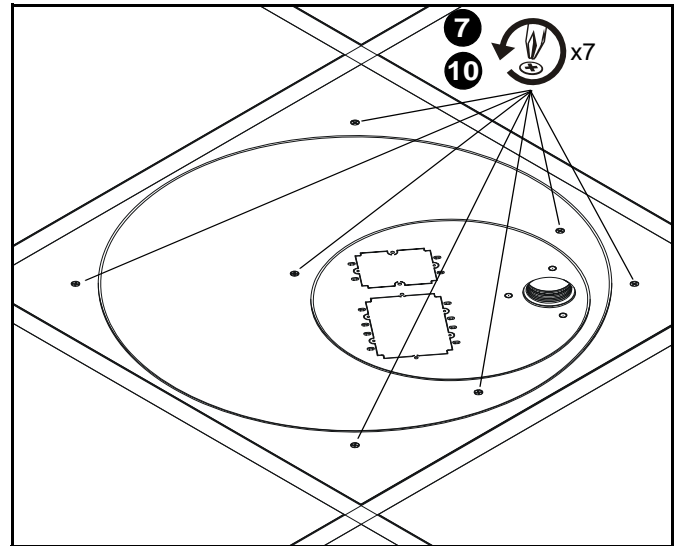


Figure 3

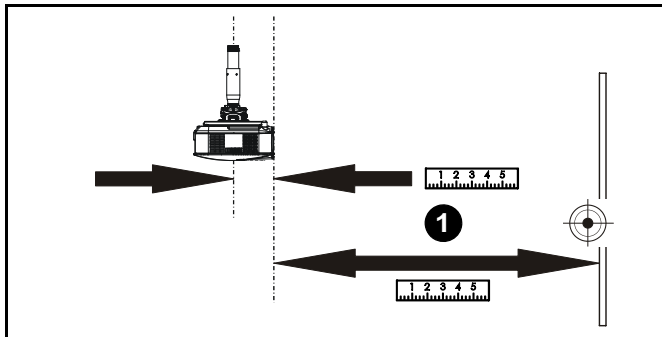


Figure 2

8. Insert tray (A) into suspended ceiling:
 - A. REPLACEMENT OF EXISTING TILE:
Lay directly on suspended ceiling framework.
 - B. INSTALLATION ON TOP OF EXISTING TILE:
Lay on top of suspended ceiling tile.

9. Rotate large and small circular plates to position extension column support to the following location (See Figure 4):
 - A. REPLACEMENT OF EXISTING TILE:
Position according to marked framework.
 - B. INSTALLATION ON TOP OF EXISTING TILE:
Position over ceiling tile hole.

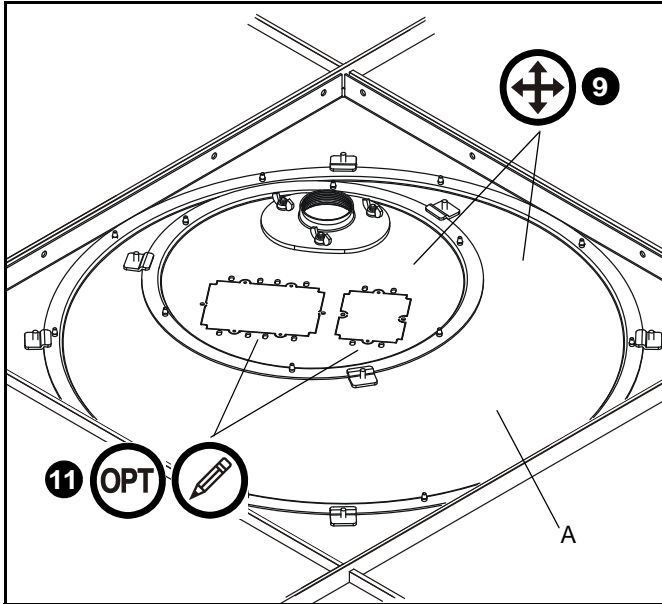


Figure 4

10. Tighten clamp screws (See Figure 3).
11. OPTIONAL STEP FOR INSTALLATION ON TOP OF EXISTING TILE:
Mark location of electrical cutout on ceiling tile with pencil (See Figure 4).

12. Examine ceiling structure (concrete, steel truss, or wood) above tray (A) to identify four support cable anchor locations. Each location should be approximately 15° *outboard* of support holes in tray (A) (See Figure 5). Mark locations with pencil.

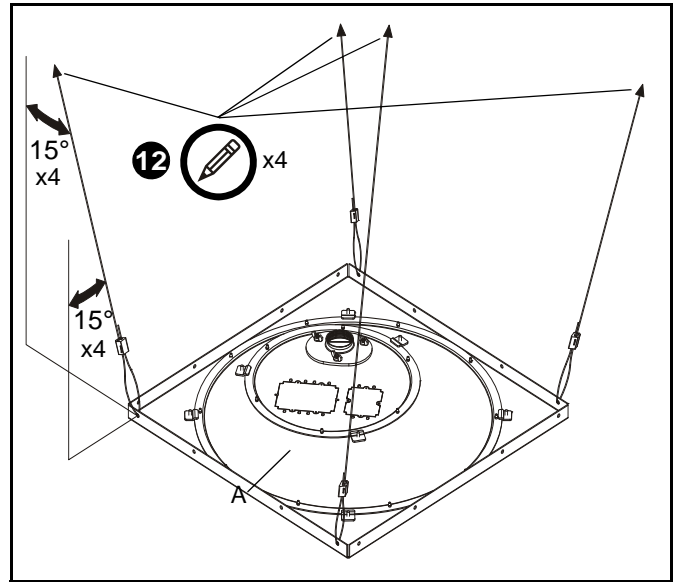


Figure 5

13. Remove tray (A) and ceiling tile (if installed).
14. OPTIONAL STEP FOR INSTALLATION ON TOP OF EXISTING TILE:
Cut electrical box opening in ceiling tile at marked location. Install box to tray (A).

NOTE: Electrical box (UL Listed Raco 560 or equivalent 3" x 2" x 2-3/4" deep (76 x 51 x 70mm deep) steel switch box, gangable, with 1/2" (12.7mm) knockouts), attach hardware, and cutting tool not included.

SUPPORT CABLE INSTALLATION



WARNING: Failure to provide adequate structural strength for this component can result in serious personal injury or damage to equipment! It is the installer's responsibility to make sure the structure to which this component is attached can support five times the combined weight of all equipment. Reinforce the structure as required before installing the component.

Solid Concrete Ceiling Structure



WARNING: Anchors must be installed into structurally sound solid concrete. Installation into hollow concrete block, mortar, or concrete that exhibits cracking, spalling, or other defects may result in failure of anchor and serious personal injury or damage to equipment!

1. Drill 1/4" (6.4mm) diameter x 1-3/8" (35mm) deep hole at each marked cable anchor support location (See Figure 6). Ensure hole is at least 2-1/2" (64mm) from nearest concrete edge. Remove debris from hole.

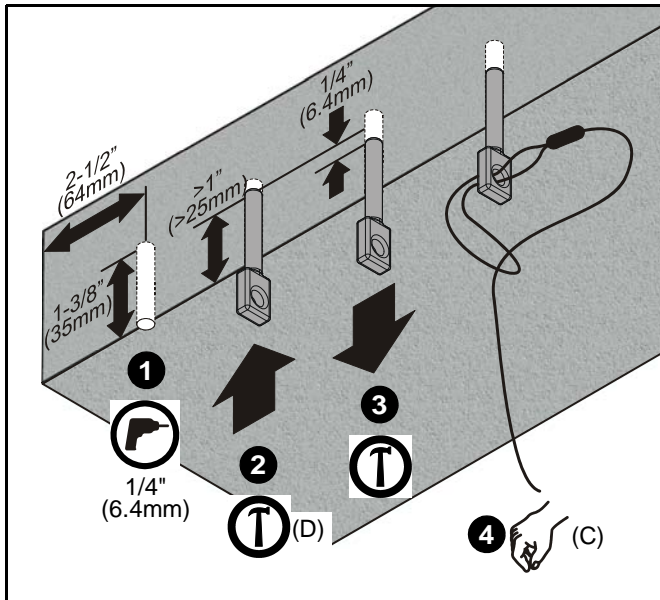


Figure 6

2. Tap anchor (D) into each hole to a depth of at least 1" (25mm) (See Figure 6).



WARNING: Failure to properly set anchor may result in failure of anchor and serious personal injury or damage to equipment!

3. Using claw portion of hammer, set each anchor (D) by pulling it out of hole approximately 1/4" (6.4mm) (See Figure 6).
4. Insert portion of manufactured loop on cable (C) through hole in anchor (D) (See Figure 6). Insert end of cable (C) through loop. Repeat for remaining support locations.

Steel Truss Ceiling Structure

1. Route end of cable (C) over truss at marked cable anchor support location and then through cable loop (See Figure 7). Repeat for remaining support locations.

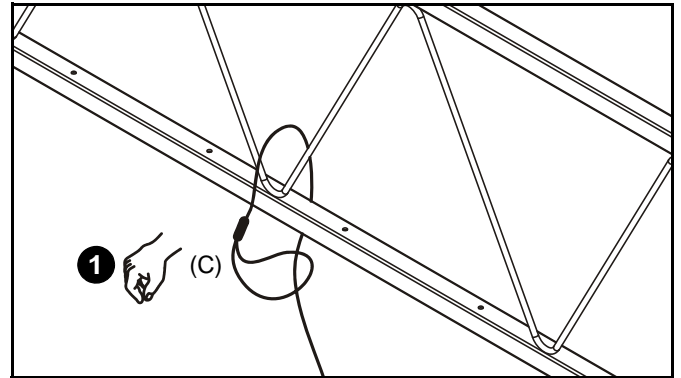


Figure 7

Wood Ceiling Structure

1. Drill 5/32" (4.0mm) diameter x 2" (51mm) deep hole at each marked cable anchor support location (See Figure 8). Remove debris from hole.

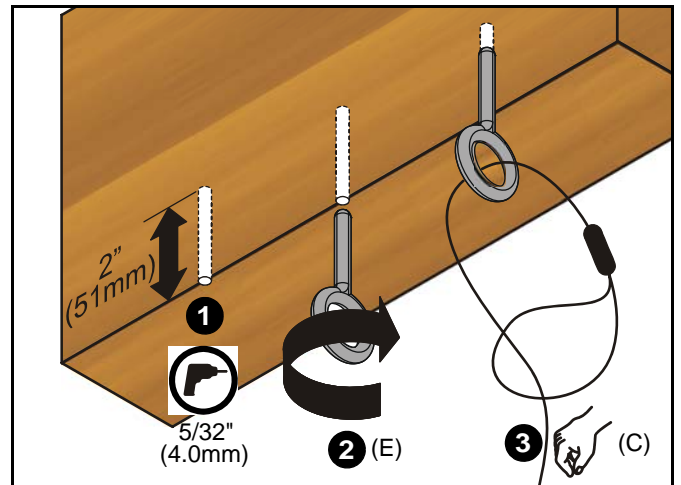


Figure 8

2. Fully thread eye lag (E) into each hole (See Figure 8).
3. Route end of cable (C) through eye lag (E) and then through cable loop (See Figure 8). Repeat for remaining support locations.

TRAY INSTALLATION

1. If you are replacing an existing tile, proceed to Step 3. Otherwise, continue below.
2. Reinstall ceiling tile with extension column hole. Ensure tile is oriented for proper location of hole.
3. Reinstall tray (A).
4. Install clips (B) with screws (G) (See Figure 9). Ensure clips (B) engage flanges on tray (A) and primary (1-1/2" (38mm) high) rails of ceiling framework.

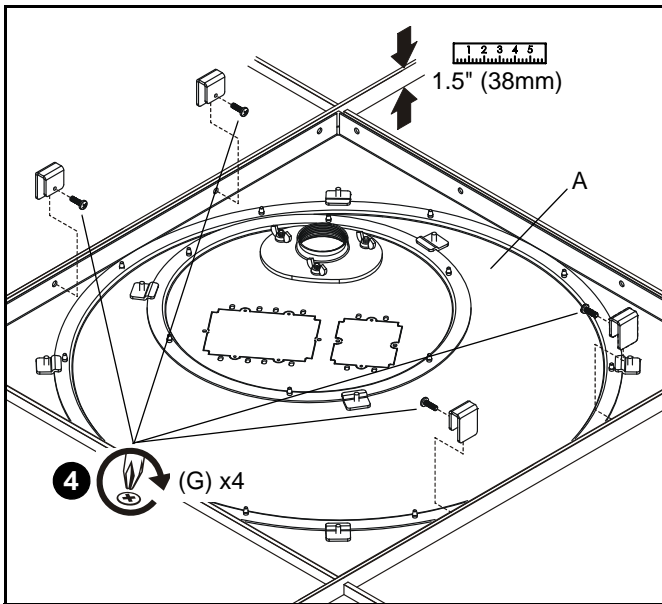


Figure 9



CAUTION: Failure to properly tension cables (C) may result in damage to ceiling tile framework!

5. Thread each cable (C) completely through cable lock (F), corresponding hole(s) in corner of tray (A), and completely through opposite side of cable lock (F) (See Figure 10). Adjust cable tension until tray (A) is supported *entirely* and *evenly* by all four support cables, but not so tight as to distort ceiling tile framework.

NOTE: Cables (C) can be threaded through either or both holes in corners of tray (A).

NOTE: Cable lock (F) will allow cable to enter from only one direction per side, indicated by arrows on lock. Depress spring loaded pins on cable lock (F) to release cable tension.

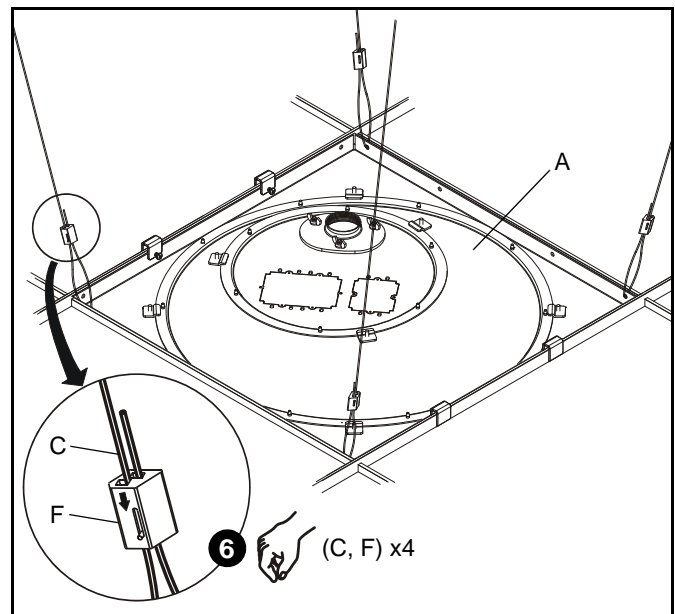


Figure 10

EXTENSION COLUMN INSTALLATION



WARNING: Exceeding the weight capacity can result in serious personal injury or damage to equipment! It is the installer's responsibility to make sure the combined weight of all components attached to the CMS-445 up to (and including) the display/projector, does not exceed 50 lbs (22 kg).

1. Install the extension column (accessory not included) to the extension column support. See installation instructions included with the accessory.

NOTE: If installation instructions are not available, contact Chief Manufacturing for assistance.

2. Using hex key (L), secure extension column by *one* of the following methods (See Figure 11):
 - Install screw (H) into extension column support, tightening firmly against column.
 - **OPTIONAL:** Install security screw (J) through locking collar (K) into extension column support, tightening firmly against column.

NOTE: Locking collar (K) is designed to spin, even when screw (J) is tight.

3. **OPTIONAL FOR INSTALLATION ABOVE EXISTING TILE:** Install CMS-640 finishing ring (N) on extension column below ceiling tile (See Figure 12). If necessary, bend four tabs inward to secure ring to column.

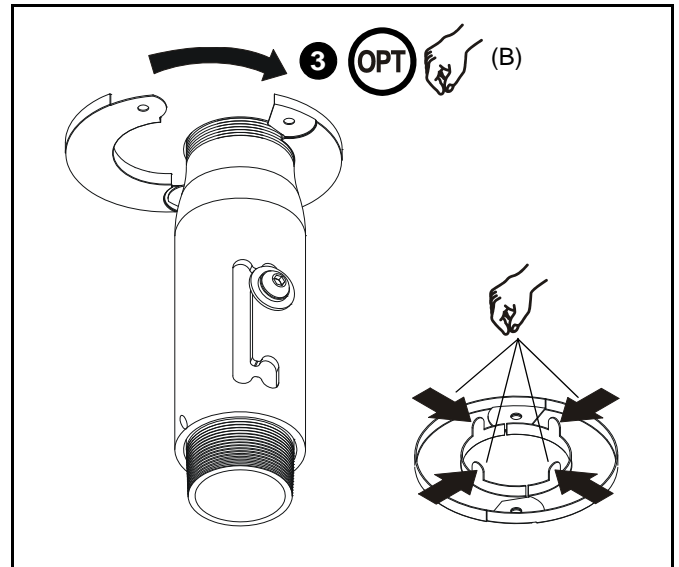


Figure 12

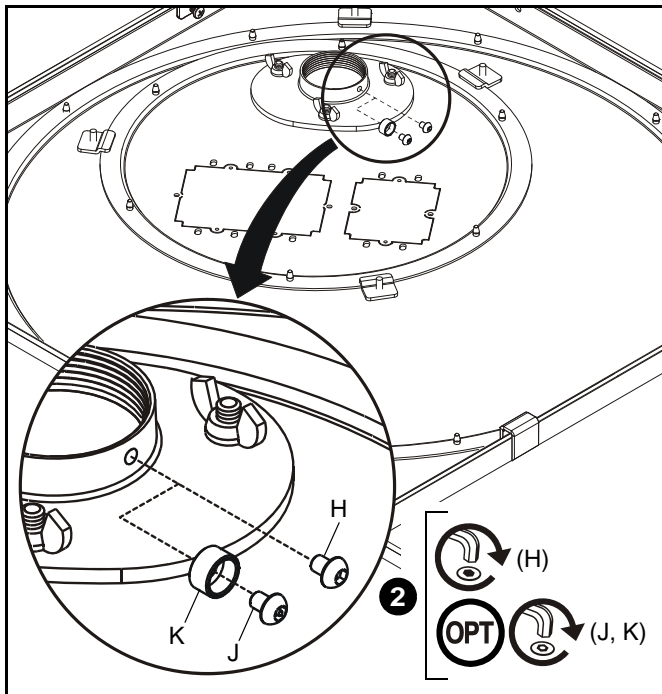


Figure 11

4. Reinstall remaining ceiling tiles as required.



CHIEF | SANUS AUDIO VISUAL



**MANUFACTURERS
DECLARATION OF CONFORMITY**
For

Product identification:

Model/type : CMS445
 Category (description) : Mounting devices, Stands and other Accessories, to be used with entertainment electronics
 Brand : Chief

Manufacturer: CSAV Inc.
 8401 Eagle Creek Parkway
 Savage, MN 55378

EU Representative: CSAV Inc.
 Fellennoord 130 5611
 ZB Eindhoven
 The Netherlands
 31 (0)40 2668620

Concerning				
	EMC	Safety		
A sample of the product has been tested by:	Not Applicable	CSAV Inc.		
Test report reference	.			
Applied standards		EN 60065 :2002		

Means of conformity

We declare under our sole responsibility that this product is in conformity with Directive 93/68/EEC (Marking), 98/37/EC (Machinery) 2001/95/EC (Safety) and/or complies to the essential requirements and all other relevant provisions of the based on test results using (non)harmonized standards in accordance with the Directives mentioned



Our Mounts. Your Vision.

Chief Manufacturing, a products division
of Milestone AV Technologies

8807-000053 Rev 01

©2009 Milestone AV Technologies, a
Duchossois Group Company

www.chiefmfg.com

05/09

USA/International A 8401 Eagle Creek Parkway, Savage, MN 55378
P 800.582.6480 / 952.894.6280

F 877.894.6918 / 952.894.6918

Europe

A Fellenoord 130 5611 ZB EINDHOVEN, The Netherlands

P +31 (0)40 2668620

F +31 (0)40 2668615

Asia Pacific

A Room 24F, Block D, Lily YinDu International Building
LuoGang, BuJi Town, Shenzhen, CHINA.

深圳市布吉罗岗村百合银都国际大厦D栋24F

P +86-755-8996 9226

F +86-755-8996 9217

