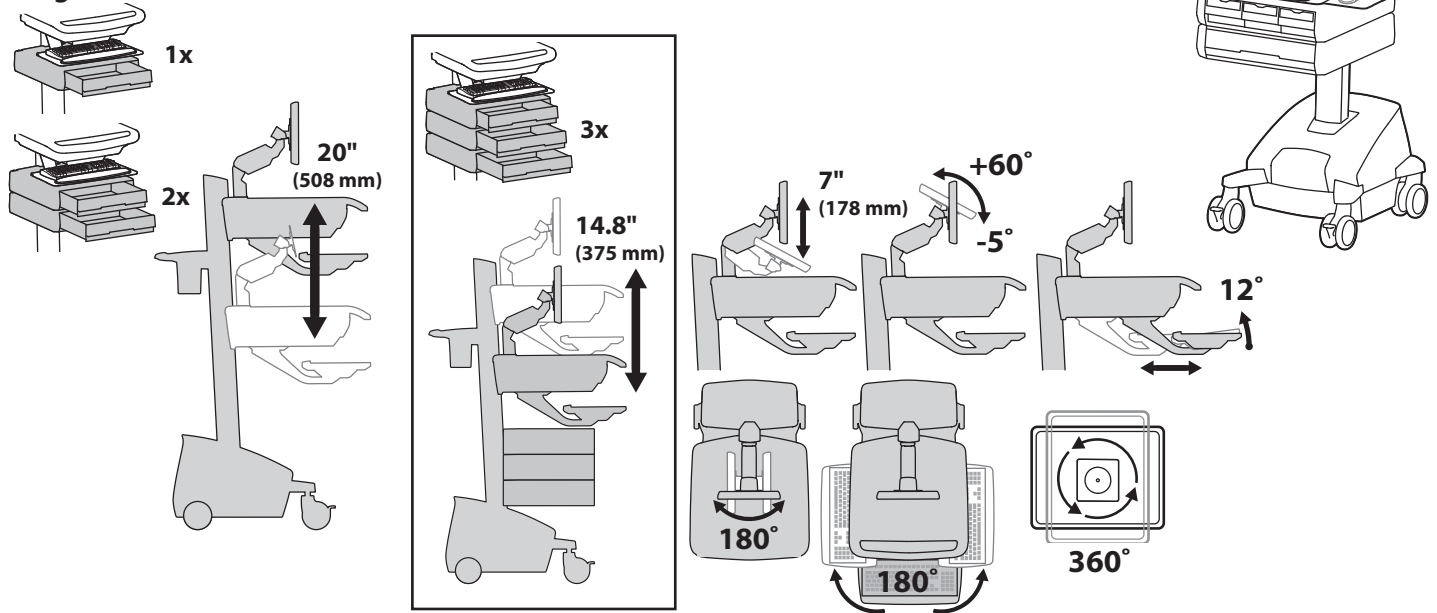
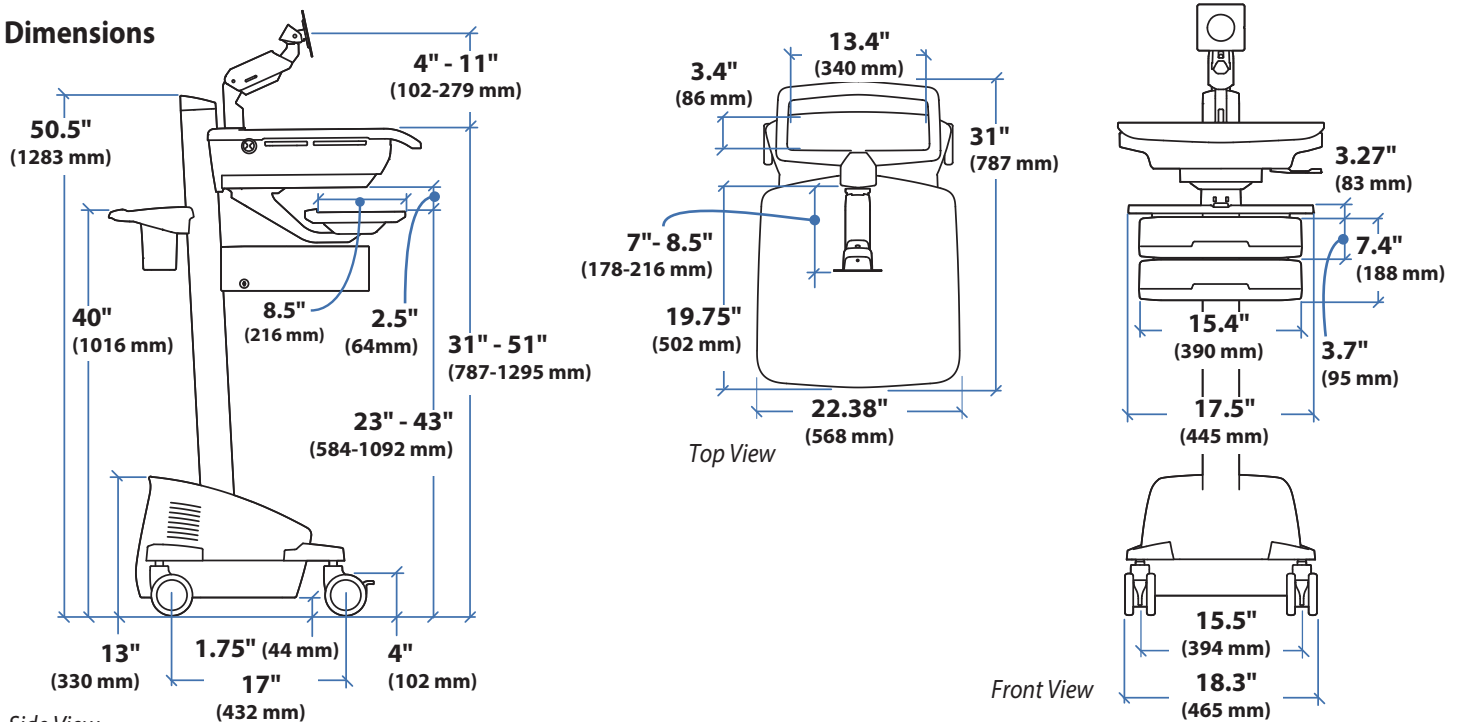


StyleView® Electric Lift Cart with LCD Arm and LiFe Power System

Range of Motion



Dimensions

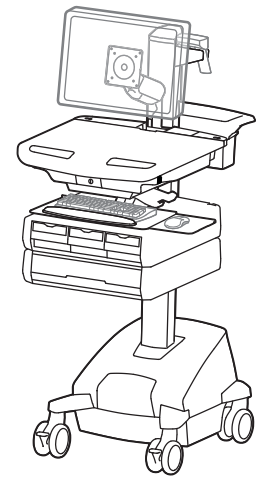


Side View

© 2018 Ergotron, Inc. rev. 04/01/2019 DIM-SV44ARM-E Content is subject to change without notification

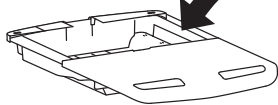
Americas Sales and Corporate Headquarter	EMEA Sale	APAC Sale	Worldwide OEM Sales
St. Paul, MN USA (800) 888-8458 +1-651-681-7600 www.ergotron.com sales@ergotron.com	Amersfoort, The Netherlands +31 33 45 45 600 www.ergotron.com info.eu@ergotron.com	Tokyo, Japan www.ergotron.com apaccustomerservice@ergotron.com	www.ergotron.com info.oem@ergotron.com

StyleView® Electric Lift Cart with LCD Arm and LiFe Power System

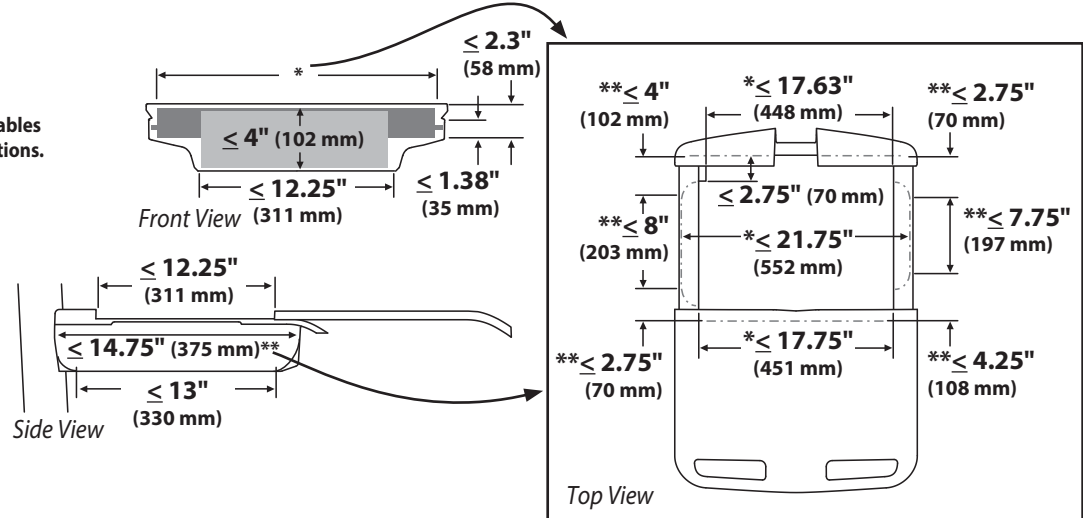


Dimensions

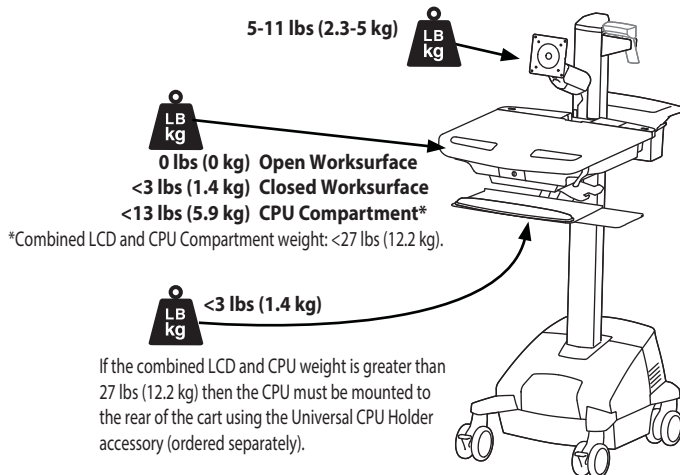
CPU Compartment



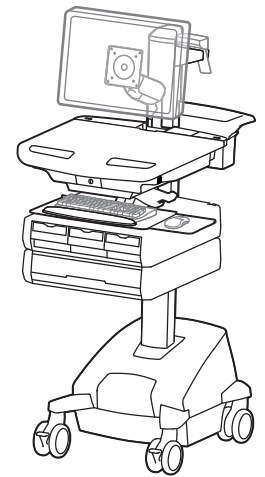
When figuring dimensions, include mounted accessories, protruding cables and port replicators or docking stations.



Weight Capacity:

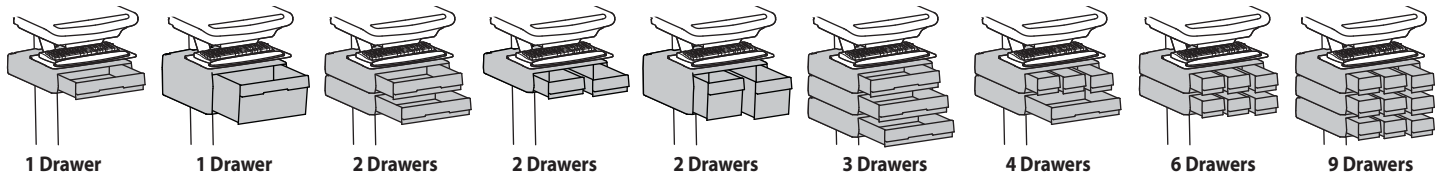


StyleView® Electric Lift Cart with LCD Arm and LiFe Power System



Dimensions

Auto-Lock Drawer



1 Drawer

1 Drawer

2 Drawers

2 Drawers

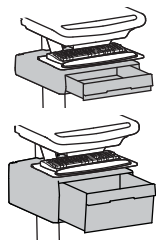
2 Drawers

3 Drawers

4 Drawers

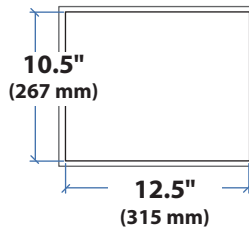
6 Drawers

9 Drawers

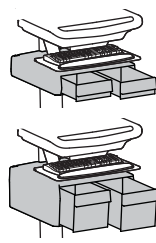
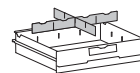


2.5"
(64 mm)

6"
(152 mm)

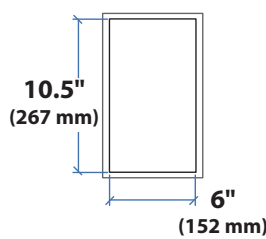


Total weight capacity per drawer.
≤ 2 lbs (1 kg)

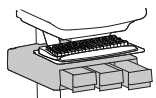
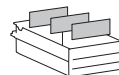


2.5"
(64 mm)

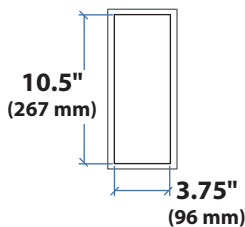
6"
(152 mm)



Total weight capacity per drawer.
≤ 1 lbs (0.5 kg)



2.5"
(64 mm)



Total weight capacity per drawer.
≤ 0.25 lbs (0.1 kg)

