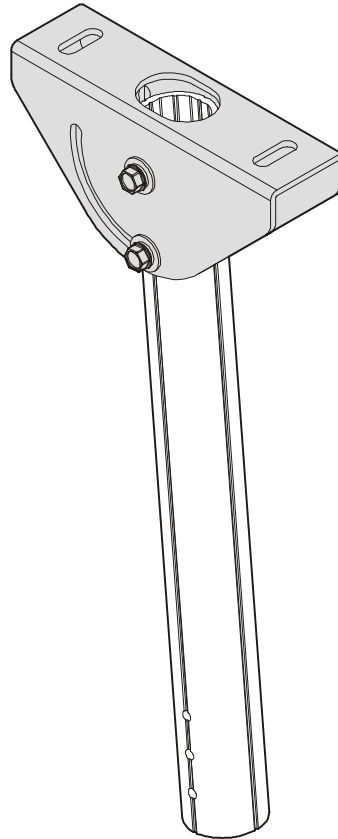

INSTALLATION INSTRUCTIONS



Angled Ceiling Adapter

DISCLAIMER

Milestone AV Technologies and its affiliated corporations and subsidiaries (collectively "Milestone"), intend to make this manual accurate and complete. However, Milestone makes no claim that the information contained herein covers all details, conditions or variations, nor does it provide for every possible contingency in connection with the installation or use of this product. The information contained in this document is subject to change without notice or obligation of any kind. Milestone makes no representation of warranty, expressed or implied, regarding the information contained herein. Milestone assumes no responsibility for accuracy, completeness or sufficiency of the information contained in this document.

Chief® is a registered trademark of Milestone AV Technologies. All rights reserved.



IMPORTANT SAFETY INSTRUCTIONS!



WARNING: A WARNING alerts you to the possibility of serious injury or death if you do not follow the instructions.



CAUTION: A CAUTION alerts you to the possibility of damage or destruction of equipment if you do not follow the corresponding instructions.



WARNING: Failure to read, thoroughly understand, and follow all instructions can result in serious personal injury, damage to equipment, or voiding of factory warranty! It is the installer's responsibility to make sure all components are properly assembled and installed using the instructions provided.



WARNING: Failure to provide adequate structural strength for this component can result in serious personal injury or damage to equipment! It is the installer's responsibility to make sure the structure to which this component is attached can support five times the combined weight of all equipment. Reinforce the structure as required before installing the component.



WARNING: Exceeding the weight capacity can result in serious personal injury or damage to equipment! It is the installer's responsibility to make sure the combined weight of all components located within the mounting system of the CPA395 does not exceed 500 lbs (226.8 kg).

- The weight capacity of the CPA395 may be LIMITED to the lowest weight capacity of any other component or accessory used within the mounting system.



WARNING: Use this mounting system only for its intended use as described in these instructions. Do not use attachments not recommended by the manufacturer.



WARNING: Never operate this mounting system if it is damaged. Return the mounting system to a service center for examination and repair.



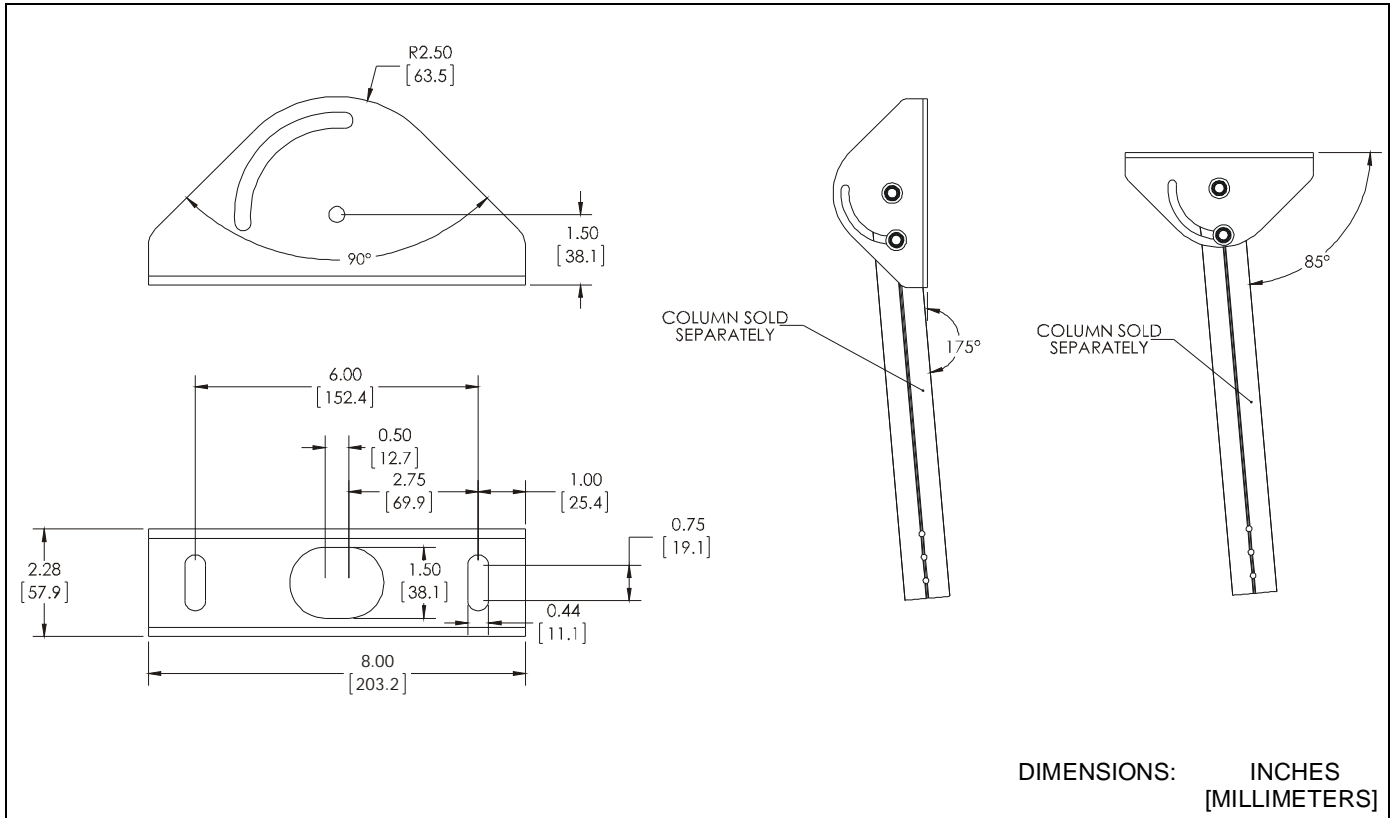
WARNING: Do not use this product outdoors.

NOTE: Accessory is intended to be used with the UL Listed CPA Extension Column Series (not included).

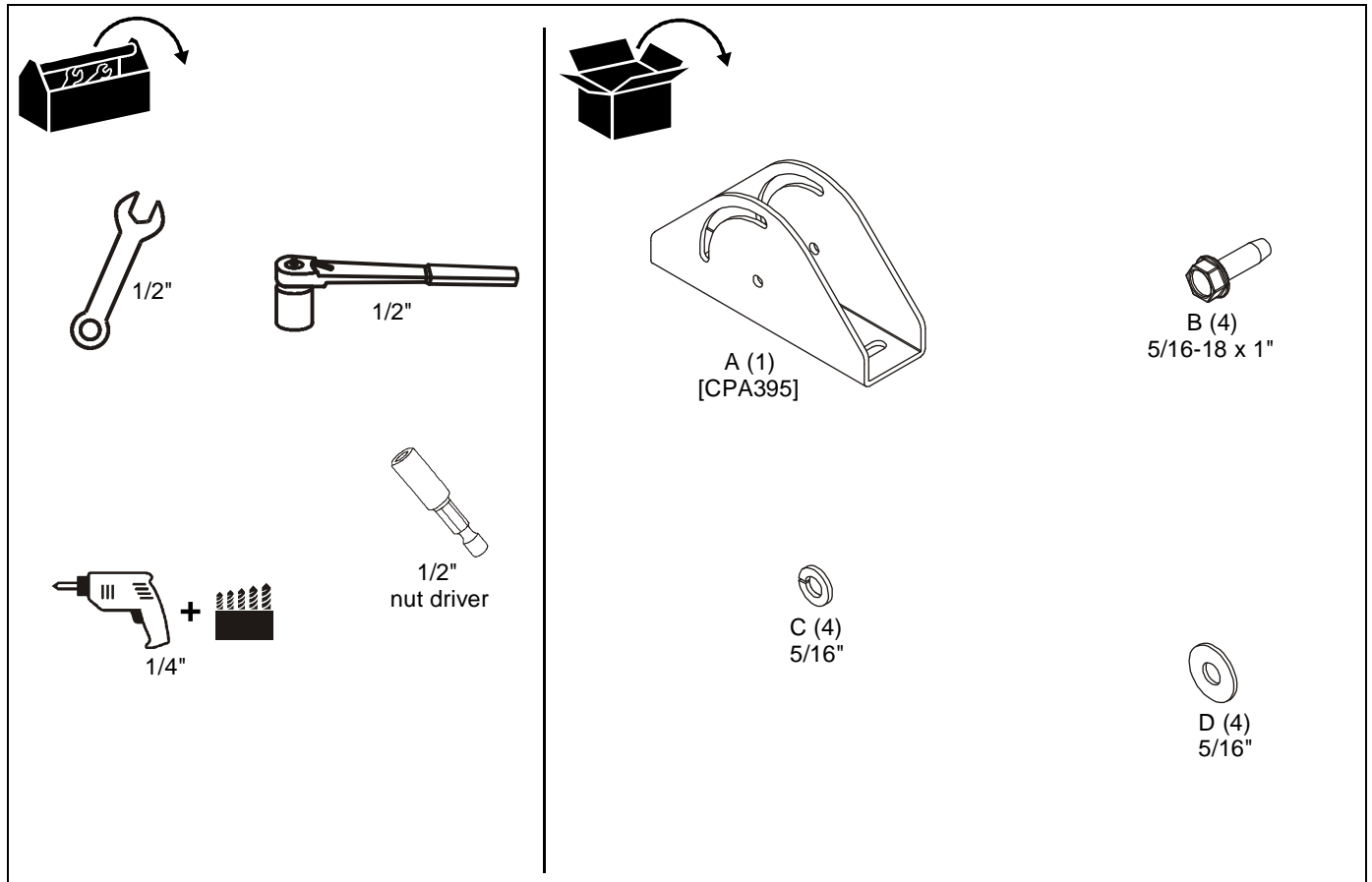
NOTE: The CPA395 ceiling plate is designed for ease of installation with any height of ceiling with 2" x 4" or larger wood joists.

IMPORTANT ! : The CPA395 must be attached to ceiling using two (minimum) 3/8 x 2-1/2" Grade 2 lag bolts (not included).

DIMENSIONS



TOOLS / PARTS FOR INSTALLATION



ASSEMBLY AND INSTALLATION

NOTE: The CPA395 ceiling plate is designed for ease of installation with any height of ceiling with 2" x 4" or larger wood joists.



WARNING: IMPROPER INSTALLATION CAN LEAD TO LIFT FALLING CAUSING SEVERE PERSONAL INJURY OR DAMAGE TO EQUIPMENT! It is the installer's responsibility to make certain the structure to which the mount is being attached is capable of supporting five times the weight of the CPA mount and all attached equipment. Reinforce the structure as required before installing the mount.

NOTE: The following instructions assume a suitable mounting structure and surface exists prior to installation.

1. Using CPA395 plate (A) as a template, mark locations of two pilot holes (See Figure 1). Ensure the marks are in the center of wood joists.

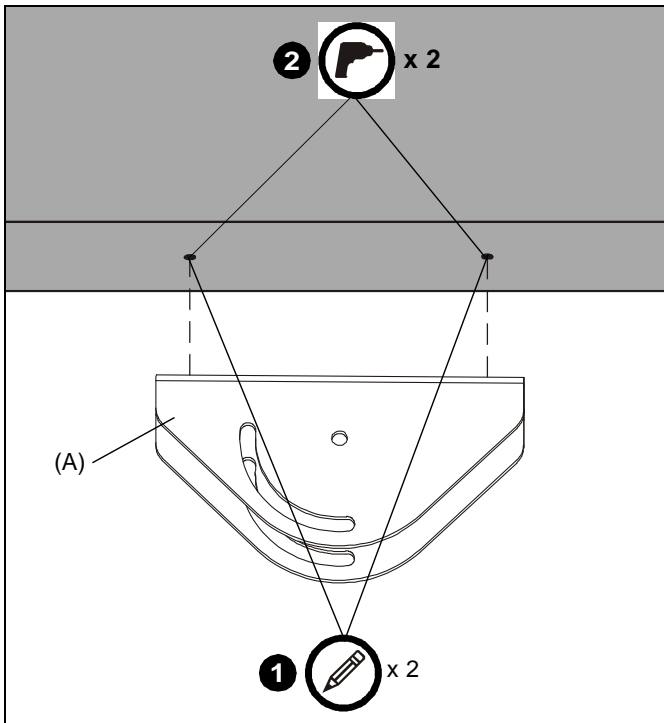


Figure 1

2. Drill 1/4" diameter pilot holes into wood joists (See Figure 1). Ensure pilot holes are straight.
3. Install and tighten two 3/8" x 2-1/2" (minimum) Grade 2 lag screws (not included) through CPA395 (A), into wood joist (See Figure 2).

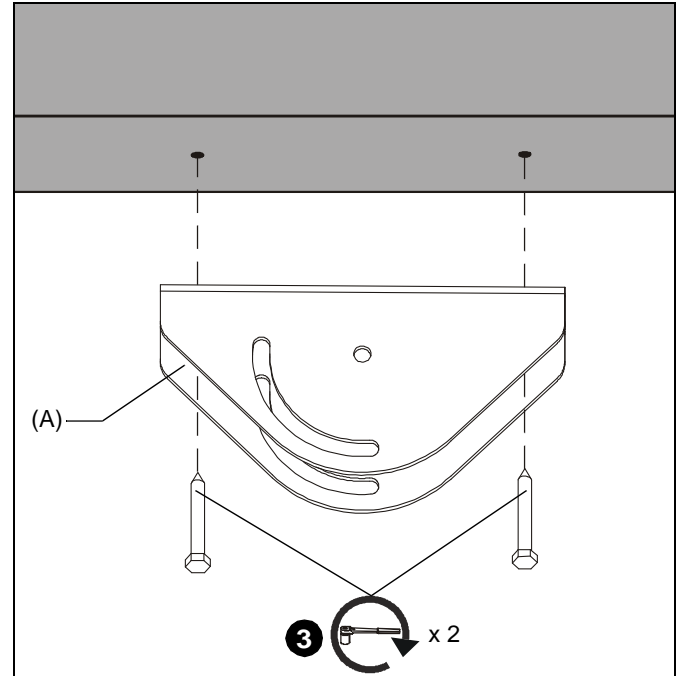


Figure 2

Installing Extension Column



WARNING: Exceeding the weight capacity can result in serious personal injury or damage to equipment! It is the installer's responsibility to make sure the combined weight of all components located within the mounting system of the CPA395 does not exceed 500 lbs (226.8 kg).

1. Route cables through extension column (not included).
2. Install UL Listed CPA Extension Column Series (not included) into CPA395.

NOTE: Installation of hex head self-tapping screws will be easier when screws are carefully aligned with holes in extension column, and a drill and nut driver is used. If a drill will NOT be used, a small amount of pressure will be needed to get the self-tapping screws started.

3. Loosely install extension column (not included) to CPA395

using two 5/16-18 x 1" hex head self-tapping screws (B), two 5/16" split lock washers (C) and two 5/16" flat washers (D) through fastener hole in CPA395 into first hole on each side of extension column. (See Figure 3)

6. Tighten hardware installed in Steps 3 and 4.
7. Complete installation following mount installation instructions.

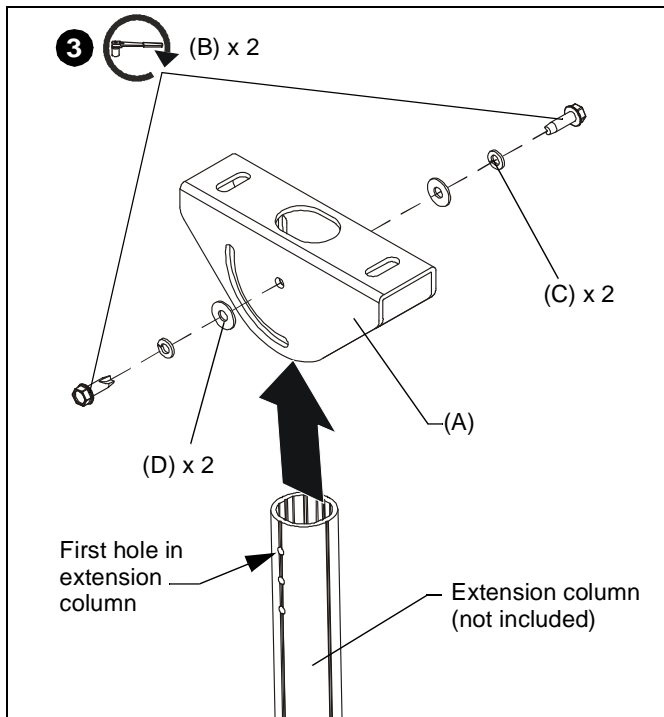


Figure 3

4. Finish loosely securing extension column to CPA395 using two 5/16-18 x 1" hex head self-tapping screws (B), two 5/16" split lock washers (C) and two 5/16" flat washers (D) through adjustment slot in CPA395 and into third hole on extension column. (See Figure 4)

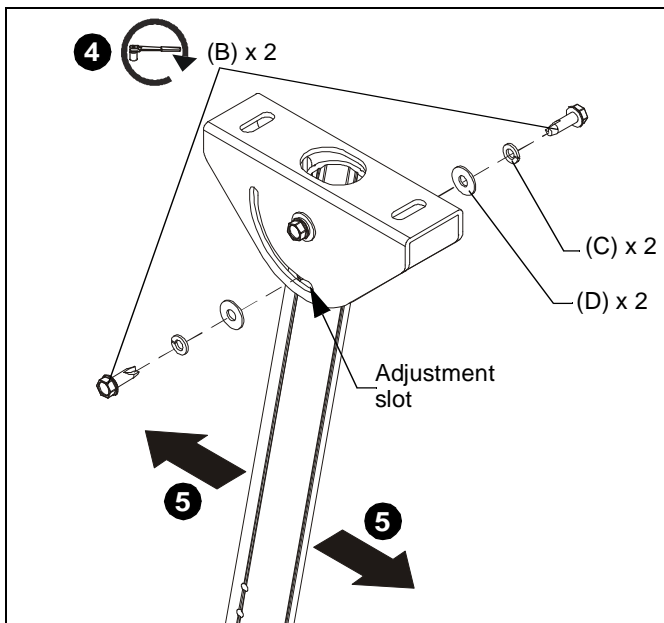


Figure 4

5. Adjust extension column to desired angle. (See Figure 4)



Our Mounts. **Your Vision.**

Chief Manufacturing, a products division
of Milestone AV Technologies

8800-002251 Rev00
©2012 Milestone AV Technologies, a
Duchossois Group Company
www.chiefmfg.com
11/12

USA/International	A 6436 City West Parkway, Eden Prairie, MN 55344 P 800.582.6480 / 952.225.6000 F 877.894.6918 / 952.894.6918
Europe	A Franklinstraat 14, 6003 DK Weert, Netherlands P +31 (0) 495 580 852 F +31 (0) 495 580 845
Asia Pacific	A Office No. 1 on 12/F, Shatin Galleria 18-24 Shan Mei Street Fotan, Shatin, Hong Kong P 852 2145 4099 F 852 2145 4477

