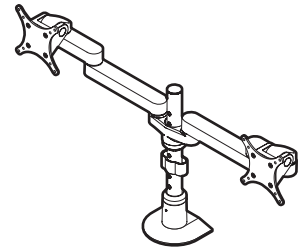



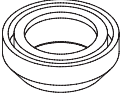

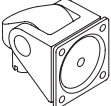


Innovative Ergonomic Solutions companies

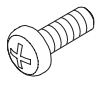
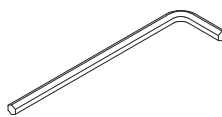
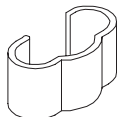
MODEL 9124



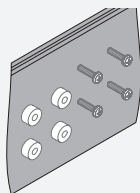
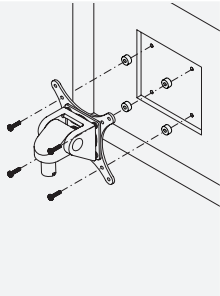
<p>1 POLE INTO FLEXMOUNT™</p>	<p>POLE INTO SLATWALL MOUNT</p>	<p>2</p>
<p>3</p>	<p>4</p> <p>* Some monitors may require a spacer hardware kit. See</p>	<p>5</p>
<p>6</p>	<p>7</p>	<p>?</p> <p>800.524.2744 www.LCDarms.</p>

MODEL 9124

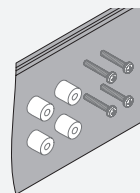
ITEM	DESCRIPTION / PART NO.
A	Pole Snap Inside Grip 2 106648
	
B	Pole Snap Outer Cover 1 105197
	
C	3/32" Allen Wrench 1 700146
	
D	Monitor Tilter 1 405397
	
E	75/100mm VESA® Adapter Plate 1 105587
	
F	10-32 x 3/8" Phillips Flat Head Screw 1 702281 (4-pack)
	

ITEM	DESCRIPTION / PART NO.
G	M4 x 12 Phillips Pan Head Screw 1 702096 (4-pack)
	
H	Dog Washer 1 105189
I	10-32 x 3/8" FPhMS w/Lock Patch 1 705198
J	7/32" Allen Wrench 1 701127
	
K	Cable Clip 1 702506 (Black) 702591 (Silver)
	

OPTIONAL SPACER KITS In some cases, the mounting surface on your monitor may be recessed further than permitted by VESA® standards. As a result, a spacer kit may be required.



.25" Spacer Hardware Kit
 (4) .25" Spacers
 (4) M4 x 18mm Phillips Pan Head Screws
 Order # P404923-B



.5" Spacer Hardware Kit
 (4) .5" Spacers
 (4) M4 x 25mm Phillips Pan Head Screws
 Order # P404923-C