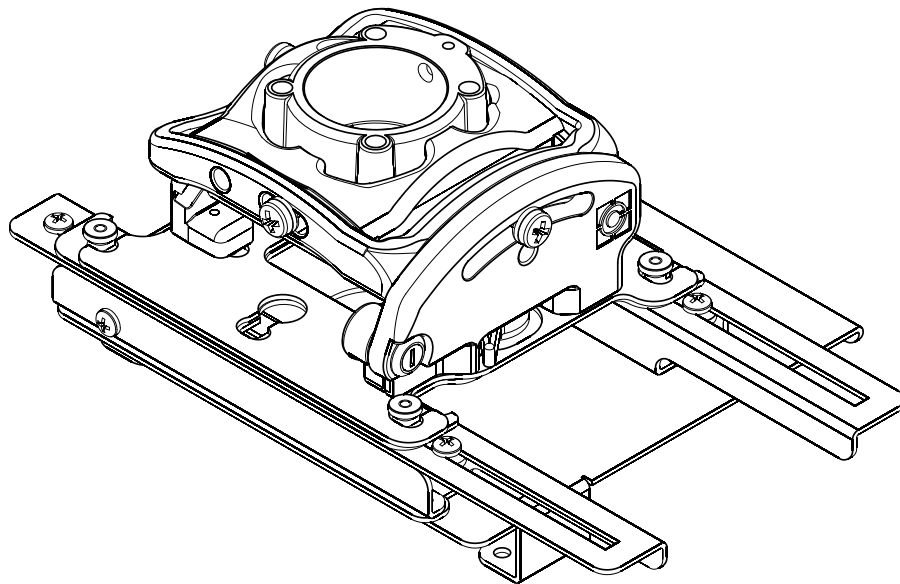

INSTALLATION INSTRUCTIONS



Lateral Shift Bracket Accessory

DISCLAIMER

CSAV, Inc., and its affiliated corporations and subsidiaries (collectively, "CSAV"), intend to make this manual accurate and complete. However, CSAV makes no claim that the information contained herein covers all details, conditions or variations, nor does it provide for every possible contingency in connection with the installation or use of this product. The information contained in this document is subject to change without notice or obligation of any kind. CSAV makes no representation of warranty, expressed or implied, regarding the information contained herein. CSAV assumes no responsibility for accuracy, completeness or sufficiency of the information contained in this document.

! IMPORTANT WARNINGS AND CAUTIONS!

! WARNING: A WARNING alerts you to the possibility of serious injury or death if you do not follow the instructions.

! CAUTION: A CAUTION alerts you to the possibility of damage or destruction of equipment if you do not follow the

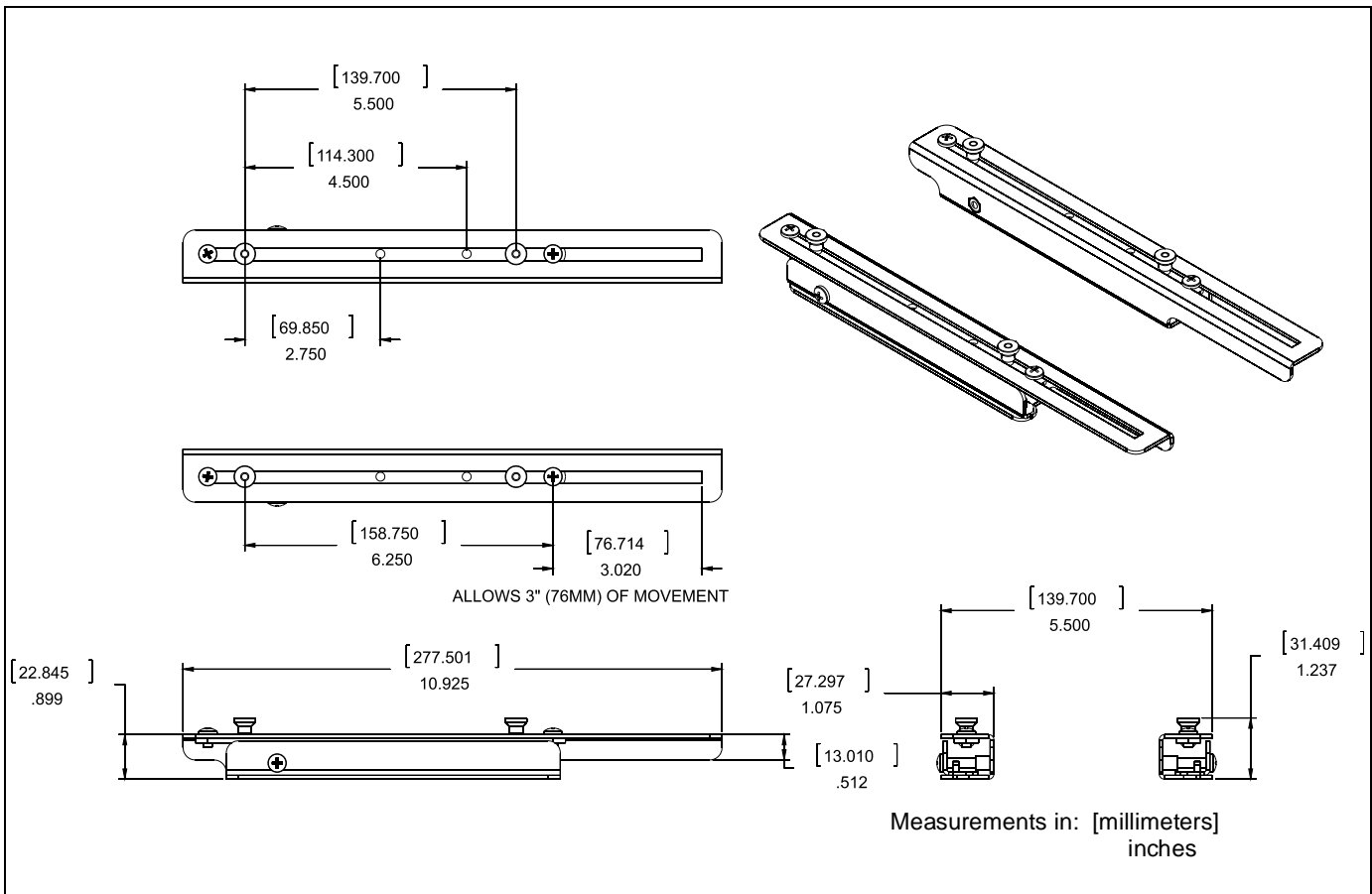
corresponding instructions.

! WARNING: Failure to read, thoroughly understand, and follow all instructions can result in serious personal injury, damage to equipment, or voiding of factory warranty! It is the installer's responsibility to make sure all components are properly assembled and installed using the instructions provided.

! WARNING: Failure to provide adequate structural strength for this component can result in serious personal injury or damage to equipment! It is the installer's responsibility to make sure the structure to which this component is attached can support five times the combined weight of all equipment. Reinforce the structure as required before installing the component.

! WARNING: Exceeding the weight capacity can result in serious personal injury or damage to equipment! It is the installer's responsibility to make sure the combined weight of all components attached to the LSB-101 does not exceed 50 lbs (22.68 kg)

DIMENSIONS



LEGEND

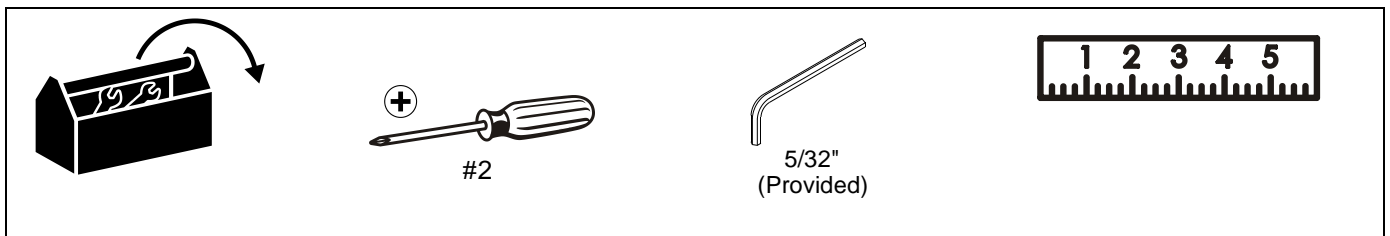
	Tighten Fastener
	Apretar elemento de fijación
	Befestigungsteil festziehen
	Apertar fixador
	Serrare il fissaggio
	Bevestiging vastdraaien
Serrez les fixations	

	Phillips Screwdriver
	Destornillador Phillips
	Kreuzschlitzschraubendreher
	Chave de fendas Phillips
	Cacciavite a stella
	Kruiskopschroevendraaier
Tournevis à pointe cruciforme	

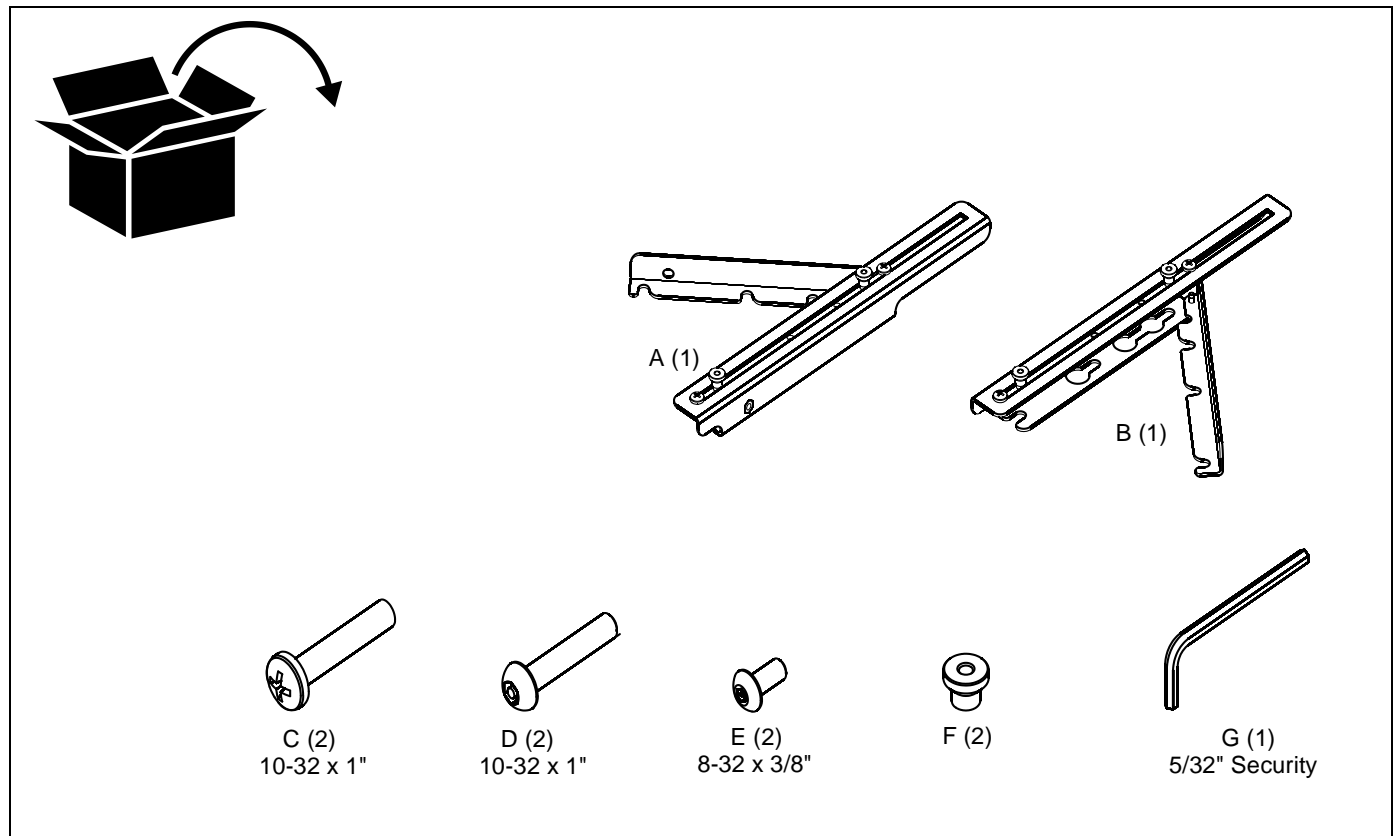
	Loosen Fastener
	Aflojar elemento de fijación
	Befestigungsteil lösen
	Desapertar fixador
	Allentare il fissaggio
	Bevestiging losdraaien
Desserrez les fixations	

	By Hand
	A mano
	Von Hand
	Com a mão
	A mano
	Met de hand
À la main	

TOOLS REQUIRED FOR INSTALLATION



PARTS



Assembly And Installation

The LSB-101 may be used in either a lateral shift application or a forward/backward shift application.

NOTE: For a lateral shift application, proceed to **Attaching LSB-101 - Lateral Shift**.

Attaching LSB-101 - Forward/Backward Shift

1. Attach one thumbnut (F) with one 8-32 x 3/8" button head security cap screw to both LSB brackets (A and B). (See Figure 1)

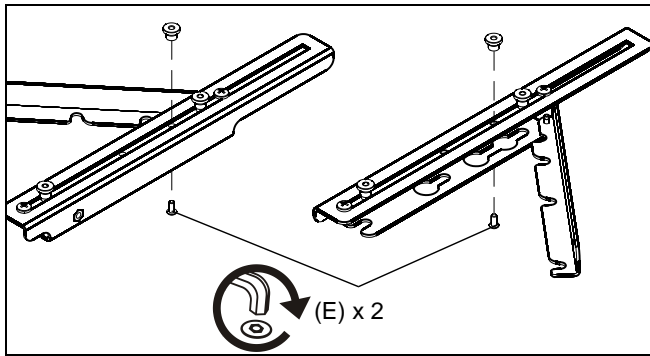


Figure 1

2. Proceed to **Attaching LSB-101 - Lateral Shift** section.

Attaching LSB-101 - Lateral Shift

1. Line up keyhole slots of both LSB-101 brackets (A and B) with SLM bracket. (See Figure 1)

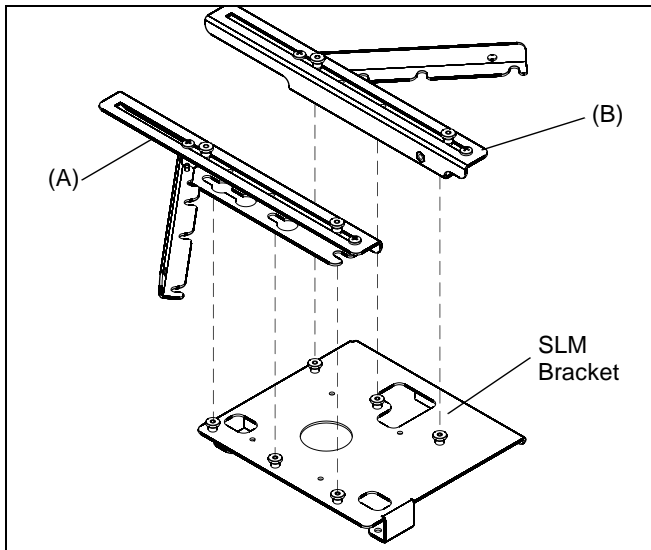


Figure 2

2. Slide LSB brackets so that thumbnuts on SLM bracket rest in the narrow end of key slots. (See Figure 2)

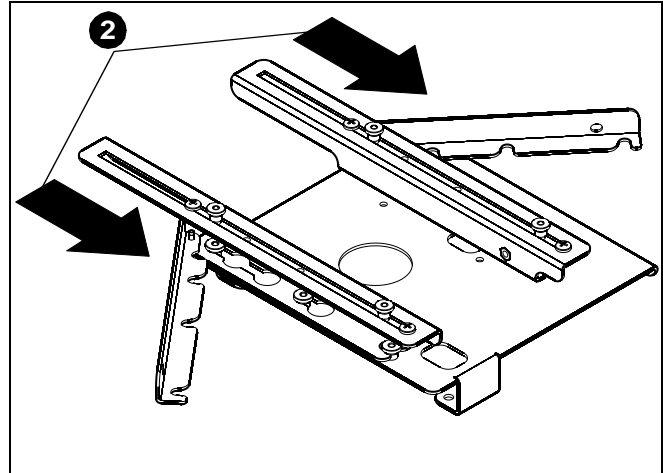


Figure 3

3. Shut bracket arms.
4. Secure bracket arms with one 10-32 x 1" Phillips machine screw (C) on outside of each LSB bracket. (See Figure 4)

NOTE: 10-32 x 1" button head security screws (D) may be used in place of the Phillips machine screws (C).

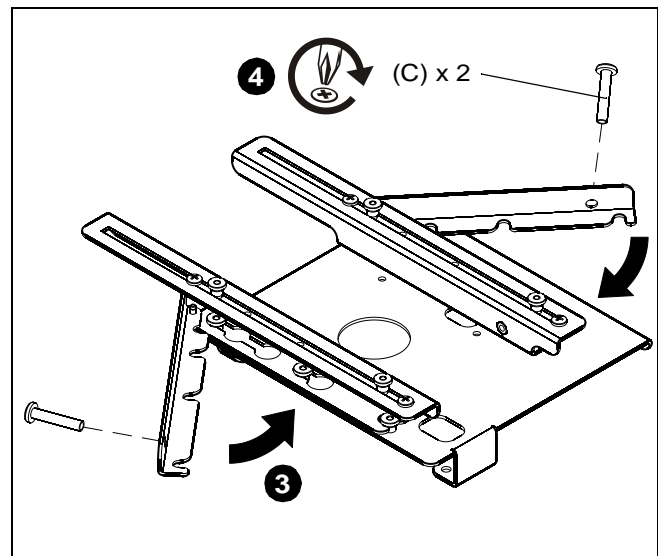


Figure 4

Attaching RPMA to LSB-101

1. Ensure that lock lever on RPMA is moved to "Unlocked" position.
2. Slide RPMA onto LSB-101 brackets (A and B). (See Figure 5)
3. Move the lock lever to "Locked" position and turn key to lock.

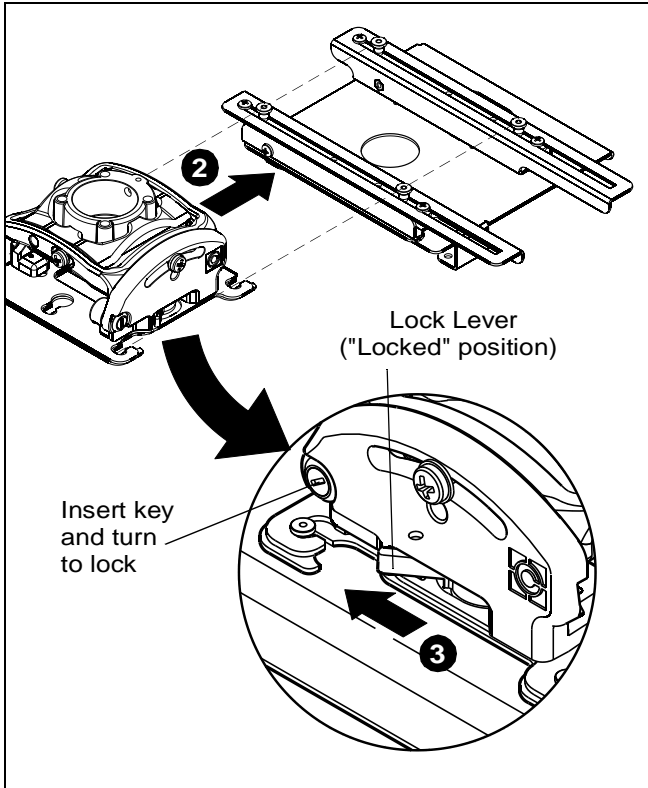


Figure 5

Shifting RPMA on LSB-101 Bracket

1. Loosen two Phillips screws on each LSB-101 bracket (A and B). (See Figure 6)
2. Shift RPMA left to right as needed.

NOTE: If using the LSB-101 bracket in a forward/backward application, shift the RPMA either backward or forward as needed.

3. Tighten the Phillips screws as needed. (See Figure 6)

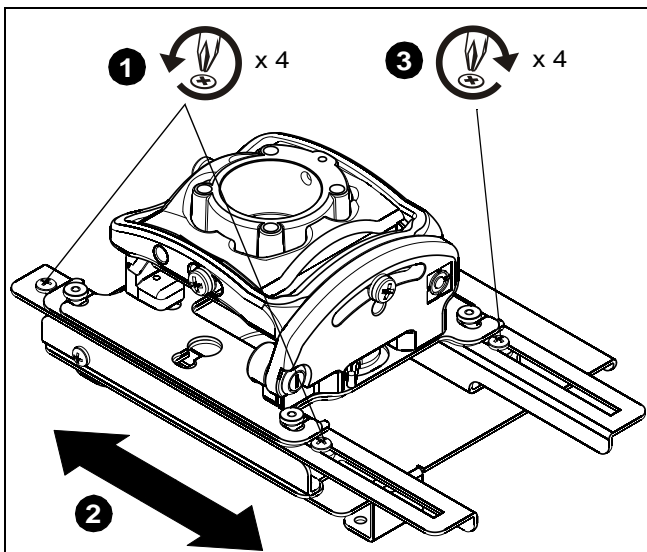


Figure 6



8802-000256
©2007 Chief Manufacturing
www.chiefmfg.com
04/07

USA/International	A 8401 Eagle Creek Parkway, Savage, MN 55378 P 800.582.6480 / 952.894.6280 F 877.894.6918 / 952.894.6918
Europe	A Fellenoord 130 5611 ZB EINDHOVEN, The Netherlands P +31 (0)40 2668620 F +31 (0)40 2668615
Asia Pacific	A Room 30I, Block D, Lily YinDu International Building LuoGang, BuJi Town, Shenzhen, CHINA. Post Code: 518112 深圳市布吉罗岗百合银都国际大厦D栋30I P +86-755-8996 9226 ; 8996 9236 ; 8996 9220 F +86-755-8996 9217