



FEATURES

- 1 MICROZONE™ ADJUSTMENTS**
PATENT-PENDING
 This feature makes projector registration fast and precise (including flush-mount installations).
- 2 CENTRIS™ TECHNOLOGY**
PATENT-PENDING
 Enables effortless fingertip positioning. Self-adjusts to support different projector weights.
- 3 CABLE MANAGEMENT**
 Route cables through top of mount without additional accessories.
- 4 Q-LOCK™ QUICK RELEASE LEVER**
 Provides quick connect/disconnect of the projector for service and enhanced security with an integrated key and lock system.



SPECIFICATIONS

Roll	+/-3°
Pitch	+/-20°
Yaw	360°
Dimensions* (HxWxD)	6.5" x 2.75" x 5.5" (165 x 69 x 140 mm)
Color, Custom	Black
Color, Universal	Black, Silver, White
Weight Capacity	50 lbs (22.7 kg)

* Dimensions don't include interface bracket

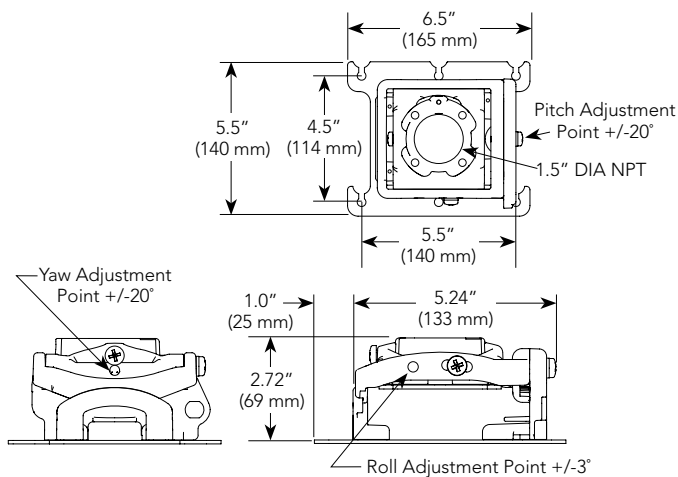
WHAT YOU NEED TO KNOW

ABOUT RPA ELITE™

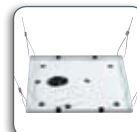
- Industry-first microadjustable projector mount
- Keyed locking options (A/B/C)
- Compatible with a wide array of accessories
- Ships fully-assembled with everything you need for installation in one box
- Available in Custom (black) or Universal (black, silver, white)



TECHNICAL DRAWINGS



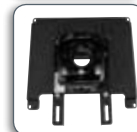
RECOMMENDED ACCESSORIES



CMS SUSPENDED CEILING KITS



CMS EXTENSION COLUMNS



LSB100 ■ Lateral Shift Accessory

For a complete list of projector mount accessories see page 13.