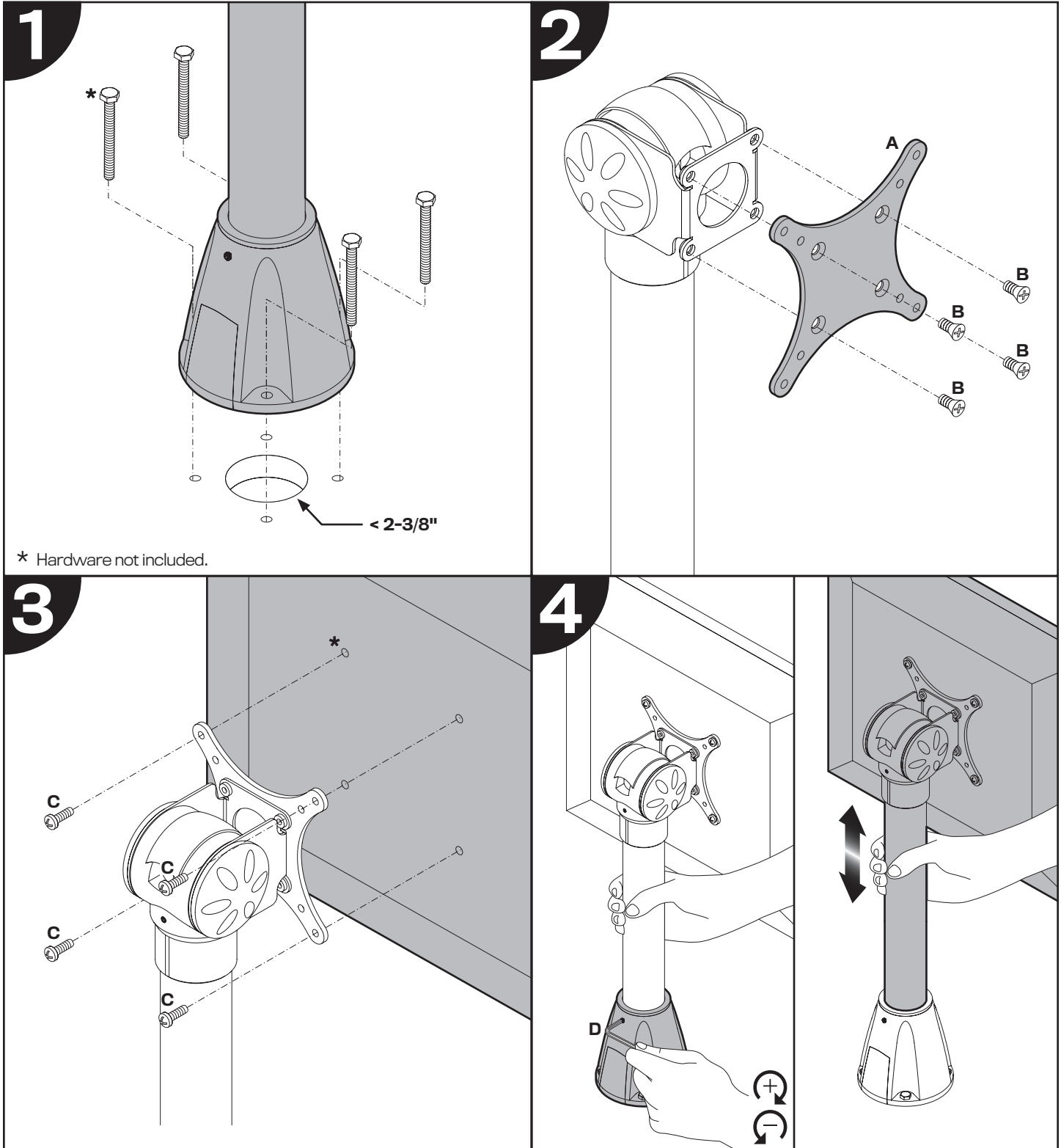
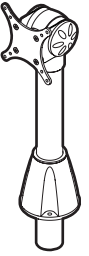
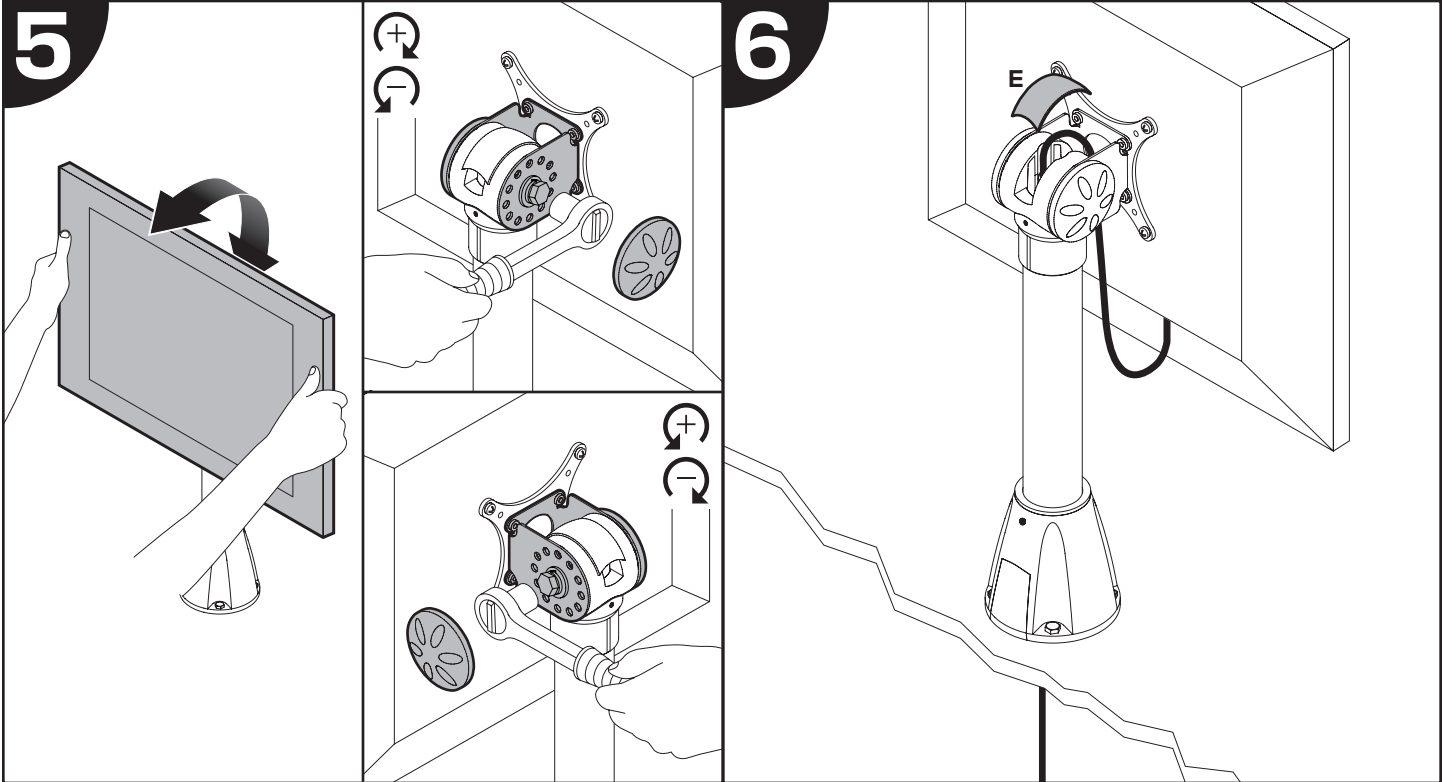


Innovative Ergonomic Solutions companies

MODEL 9189



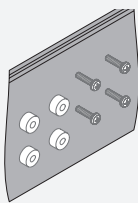
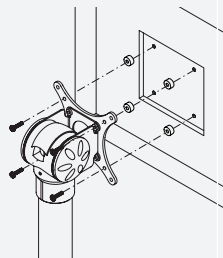


MODEL 9189

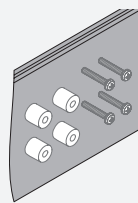
ITEM	DESCRIPTION / PART NO.
A 1	75/100mm VESA® Adapter Plate 105587
B Screw	10-32 x 3/8" Phillips Flat Head 1 702281 (4-pack)
C Screw	M4 x 12mm Phillips Pan Head 1 702096 (4-pack)

ITEM	DESCRIPTION / PART NO.
D	3/32" Allen Wrench 1 700146
E	Tilter Cable Cover 1 105134
F	Base Cable Cover 1 105134

OPTIONAL SPACER KITS In some cases, the mounting surface on your monitor may be recessed further than permitted by VESA® standards. As a result, a spacer kit may be required.



.25" Spacer Hardware Kit
 (4) .25" Spacers
 (4) M4 x 18mm Phillips Pan Head
 Screws
 Order # P404923-B



.5" Spacer Hardware Kit
 (4) .5" Spacers
 (4) M4 x 25mm Phillips Pan Head
 Screws
 Order # P404923-C